

# FPC-7100

Robust Box PC with Intel® Pentium® M/Celeron® M Platform



## Features

- Fanless Design
- Wide Range DC Power Input (10 ~28V)
- Rugged Design for Shock/Vibration Protection
- Rich Onboard I/O and Expansion Slots (1 x PCI, 1 x Mini-card)
- Easy Installation/Maintenance

## System

<b>CPU</b>	Intel® Socket 479 Celeron® M/Pentium® M CPU up to 1.8GHz with 400MHz FSB
<b>Memory</b>	2 x 240-pin DDR2 DIMM Sockets up to 2GB at 400MHz
<b>Chipset</b>	Intel® 910GML E + ICH6M
<b>Graphics</b>	Integrated with Intel® Graphics Media Accelerator (GMA900)
<b>ATA</b>	1 x Ultra ATA100 1 x Serial ATA port with 150MB/s HDD transfer rate
<b>LAN Chipset</b>	2 x Realtek RTL8111 Gigabit Ethernet controllers
<b>Watchdog Timer</b>	1~255 level reset

## I/O

<b>Serial Port</b>	1 x DB-44 female connector Support 4 x RS-232 ports + 1 x 4-bit GPIO 2 in/2 out (1 x RS-422/485 port shared with COM2)
<b>USB Port</b>	6 x USB 2.0 ports
<b>LAN</b>	2 x RJ-45 ports for Gigabit Ethernet
<b>KB/MS</b>	1 x 6-pin Mini-DIN for Keyboard and Mouse
<b>Video Port</b>	1 x DB-15 female connector for Analog RGB
<b>Selectable Port</b>	Either of DVI or Digital I/O or LPT DVI-D female connector for Digital Video Output 1 x 12-bit Digital I/O: 6 in/6 out SPP/EPP/ECP mode for LPT
<b>Audio</b>	Mic-in/Line-out (6W pre-amplified)
<b>Expansion Bus</b>	1 x PCI slot w/ riser card 1 x Mini-card slot

## Environmental

<b>Operating Temp.</b>	-20 ~ 55°C (-4 ~ 131°F), ambient w/ air flow
<b>Storage Temp.</b>	-40 ~ 85°C (-40 ~ 185°F)
<b>Relative Humidity</b>	10 ~ 95% @ 40°C (non-condensing)
<b>Vibration</b>	3 Grms/5~500Hz/random operation
<b>Shock &amp; Crash</b>	Operating 20G (11ms), Non-operating 40G with HDD Operating 40G (11ms), Non-operating 60G with CF/SSD Crash 80G (11ms)

## Qualification

<b>Certification</b>	CE, FCC
----------------------	---------

## Power Requirement

<b>Power Input</b>	DC 10~28V input (w/ 4-pin DC input terminal block combine remote power on/off switch)
<b>Power Consumption</b>	50W (Max.)

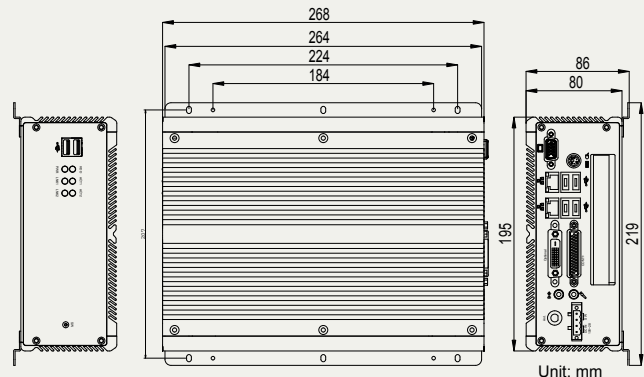
## Storage

<b>Type</b>	1 x 2.5" drive bay for HDD/SSD 1 x CompactFlash Type II Socket
-------------	---

## Mechanical

<b>Construction</b>	Aluminum alloy
<b>Mounting</b>	Support wall-mounting
<b>Weight</b>	3.87 kg (8.5 lb)
<b>Dimensions (W x D x H)</b>	195 x 268 x 80 mm (7.68" x 10.55" x 3.15")

## Drawing



## Ordering Information

<b>FPC-7100</b>	Barebone system w/o storage device, CPU, memory
<b>FPC-7100/CM1500</b>	Barebone system w/ Celeron® M 370
<b>DRK-001</b>	Din rail kit of FPC series
<b>WMK-7000</b>	Wall-mount kit of FPC-7XXX
<b>CBL-7100-COM</b>	COM converter cable (1*44-pin male to 4*DB-9 female + 1 x DB-9 female) L=200mm
<b>PAC-B065W</b>	65W AC/DC adapter kit
<b>PAC-B120W</b>	120W AC/DC adapter kit
<b>SSD-25080</b>	Intel® 2.5" 80GB SATAII SSD kit

## X-ON Electronics

Largest Supplier of Electrical and Electronic Components

*Click to view similar products for [D-Sub Cables](#) category:*

*Click to view products by [Arbor Technology](#) manufacturer:*

Other Similar products are found below :

[1200980218](#) [1200980067](#) [RB09P09P-006](#) [RB09P09P-012](#) [RB15P15P-006](#) [RB25P25P-006](#) [RB37P37P-024](#) [172-0906](#) [SHD15P15S-012](#)  
[SHD15P15S-036](#) [SHD15P15S-060](#) [ACL-10137-2MM](#) [RB09P09P-024](#) [319285-3](#) [RS422-OM2](#) [SHD26P26S-060](#) [SHD44P44S-036](#) [73-](#)  
[6210MM-6](#) [C200H-CN320-EU](#) [49725A 060S2](#) [73231-1321](#) [SDB-50AFFM-SL7A02](#) [49760A 060S2](#) [HDB-26AFFM-SL7A02](#) [30-9503P](#) [30-](#)  
[9522P](#) [73-6220MM-6](#) [1200980058](#) [1200980066](#) [1200980078](#) [1200980052](#) [1200980093](#) [1200980028](#) [1200980021](#) [1200980127](#) [SDB-](#)  
[09AFFM-SL7A02](#) [SDB-15AMMM-SL7A01](#) [BB-LDVYCBL](#) [83421-9286](#) [MLDM2L-21P-6K7-18B](#) [KSFD1](#) [MM-2J2-021-SS1-41WN](#) [HDB-](#)  
[78AMMM-SL7A05](#) [SDB-37AMMM-SL7A03](#) [SDB-15AFFM-SL7A05](#) [ACC-500-163-R](#) [172-1910](#) [2900907/21.4](#) [VS-25-DSUB-20-LI-2,0](#)  
[VS-25-DSUB-20-LI-5,0](#)