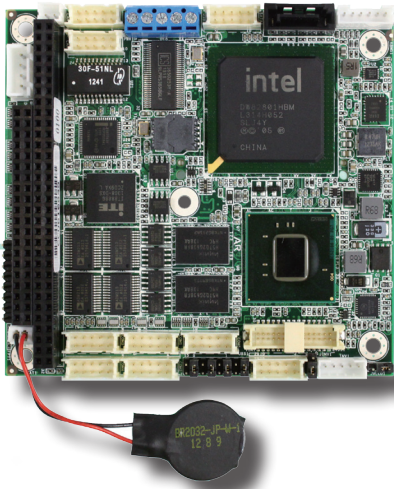




Em104-i290K

Intel® Atom™ N455 PC/104 CPU Module



Features

- **Fanless Design**
- Soldered Onboard Intel® Atom™ N455 Processor
- Dual Gigabit Ethernet Ports
- 18-bit LVDS and Analog RGB
- Four Full RS-232/485 Selectable (RS-485 with Auto Flow Control)
- **Extended Operating Temp.: -20 ~ 70°C**

System

CPU	Soldered onboard Intel® Atom™ N455 1.66GHz processor
Memory	Soldered onboard 1GB DDR3 SDRAM
Chipset	Intel® ICH8M
BIOS	AMI PnP Flash BIOS
Watchdog Timer	1 ~ 255 levels reset

I/O

I/O Chipset	Fintek F81866
Serial Port	4 x RS-232/485 selectable ports (RS-485 with auto flow control)
USB Port	2 x USB 2.0 ports
KB/MS	6-pin wafer connector for keyboard and mouse
Expansion Bus	PC/104 interface
Storage	1 x Serial ATA port with 300MB/s HDD transfer rate 1 x CompactFlash Type II socket
Ethernet Chipset	2 x Intel® 82583V PCIe GbE controllers

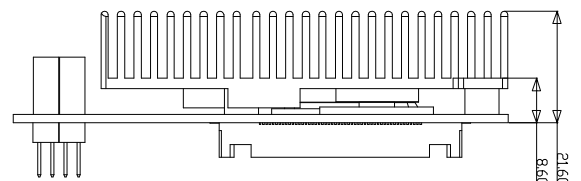
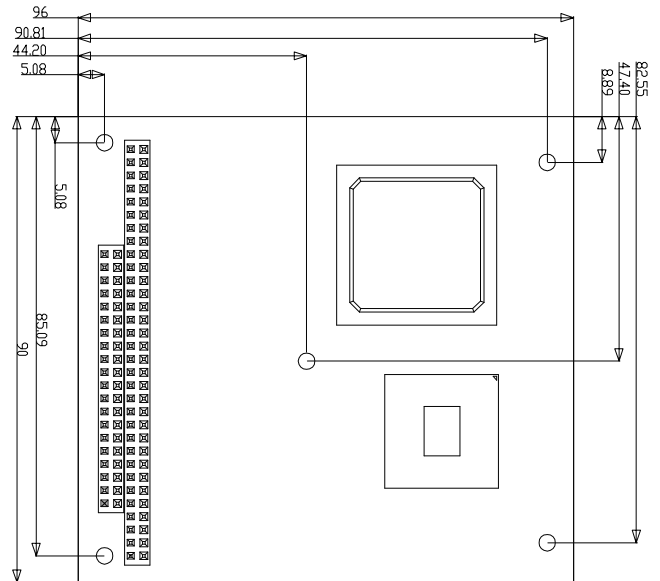
Display

Graphics Chipset	Integrated Intel® Graphics Media Accelerator 3150
Graphics Interface	Analog RGB supports resolution up to 2048 x 1536 LCD: Single channel 18-bit LVDS

Mechanical & Environmental

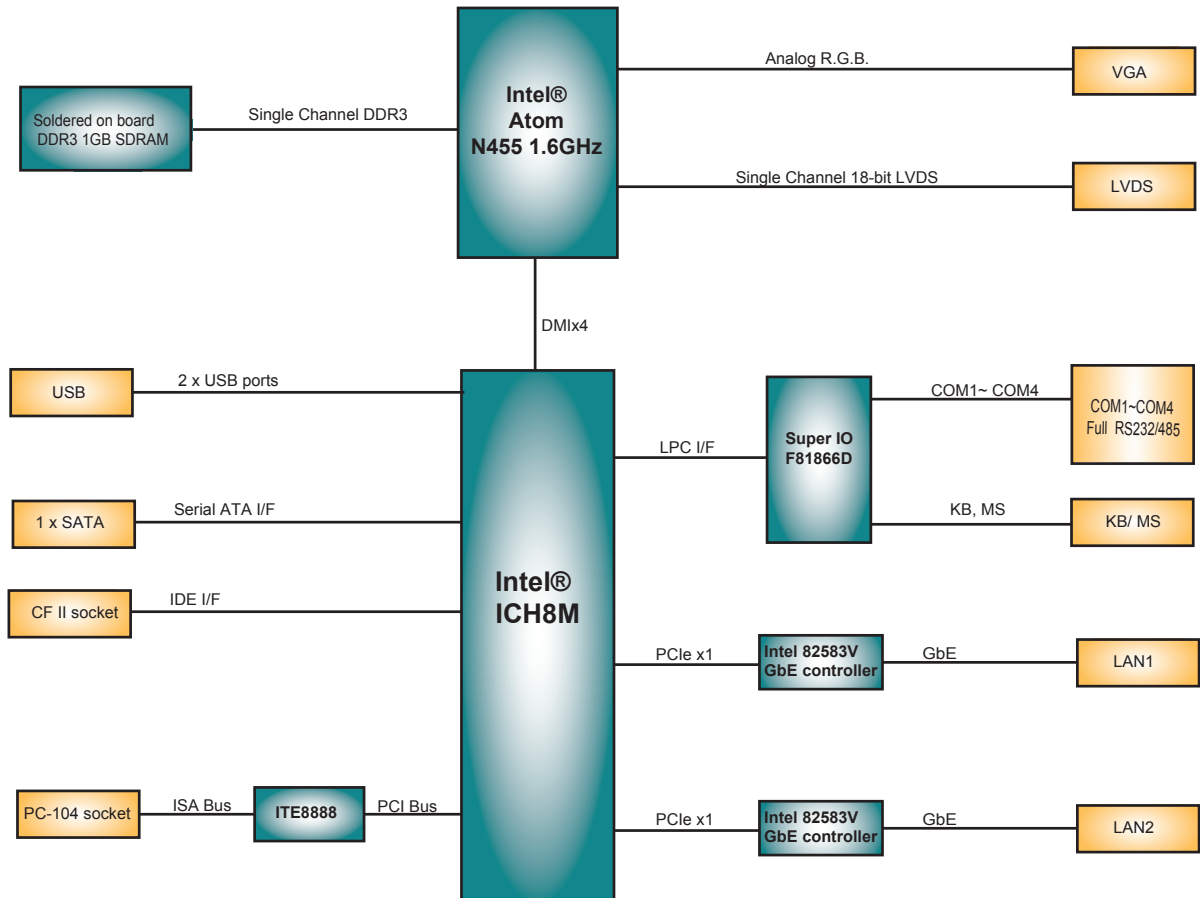
Power Requirement	+5V (Additional +12V might be required for LCD panel)
Power Consumption	2.4A@+5V (Typical)
Operating Temp.	-20 ~ 70°C (-4 ~ 158°F)
Operating Humidity	10%~95% @ 70°C (non-condensing)
Dimension (L x W)	95.89 x 90.17 mm (3.775" x 3.549")

Dimensions



Unit: mm

Block Diagram



Ordering Information

Em104-i290K-N4

Intel® Atom™ N455 PC/104 CPU module

Optional Accessories

CBK-11-290K-00

- Cable kit
- 1 x SATA cable
 - 1 x SATA Power cable
 - 4 x Serial port cables
 - 1 x KB & MS Y-cable
 - 1 x USB cable
 - 1 x VGA cable
 - 2 x LAN cables

X-ON Electronics

Largest Supplier of Electrical and Electronic Components

Click to view similar products for [System-On-Modules - SOM category](#):

Click to view products by [Arbor Technology manufacturer](#):

Other Similar products are found below :

[COMX-CORE-310](#) [COMX-P4040-4G-ENP2](#) [PICOIMX6U10R1GBNI4G](#) [PICOIMX6U10R1GBNI4GBW](#) [MC27561-TIGER](#) [MC27561-LION](#) [AM335XBBLK-SYSTEM](#) [MC27561-FOX](#) [CC-WMX6UL-SMPL](#) [CB-52-PUS-110-SX](#) [BD63725BEFV-EVK-002](#) [5748-PJ-4AA-RI](#) [5728-PJ-4AA-RI](#) [A00150](#) [COMX_P4080](#) [A20-SOM-EVB](#) [RK3188-SOM](#) [RK3188-SOM-4GB](#) [100-1225-1](#) [PICOIMX6Q10R1GBNI4G](#) [Nit6Q](#) [PER-TAICX-A10-001](#) [PER-TAIX2-A10-2280](#) [EDL-mPCIe-MA2485](#) [SOM-5897C7-U0A1E](#) [SOM-6896C7-U2A1E](#) [Q7M311-N4200-4GB](#) [SCM180-Dual-2G_Industrial](#) [SCM180-Quad-4G-Industrial](#) [3354-HX-X38-RC](#) [3359-GX-226-RC](#) [5728-PJ-4AA-RC](#) [6455-JE-3X5-RC](#) [Morph-IC-II](#) [ET876-X7LV](#) [IFC6301-10-P2](#) [IFC6502-00-P1](#) [IFC67A1-00-P1](#) [IFC6701-00-P1](#) [iW-G27M-SCQM-4L008G-E032G-BIG](#) [iW-G33M-SCMQ-4L002G-E008G-BII](#) [PWSE1000200B](#) [CS-DEPTHAI-04](#) [MYC-C8MMQ6-8E2D-180-C](#) [MYC-Y7Z010-4E512D-667-I](#) [MYD-C4378-4E512D-100-I](#) [MOD5213-100IR](#) [MODM7AE70-100IR](#) [A20-SOM](#) [A20-SOM204-1G](#)