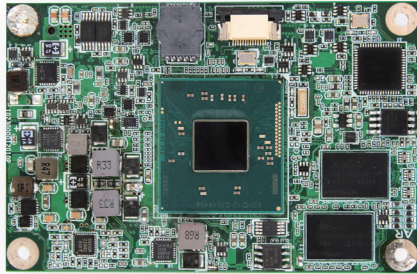


# EmNANO-i2300

## Intel® Atom E3800 series processor COM Express® Mini Type 10 CPU Module

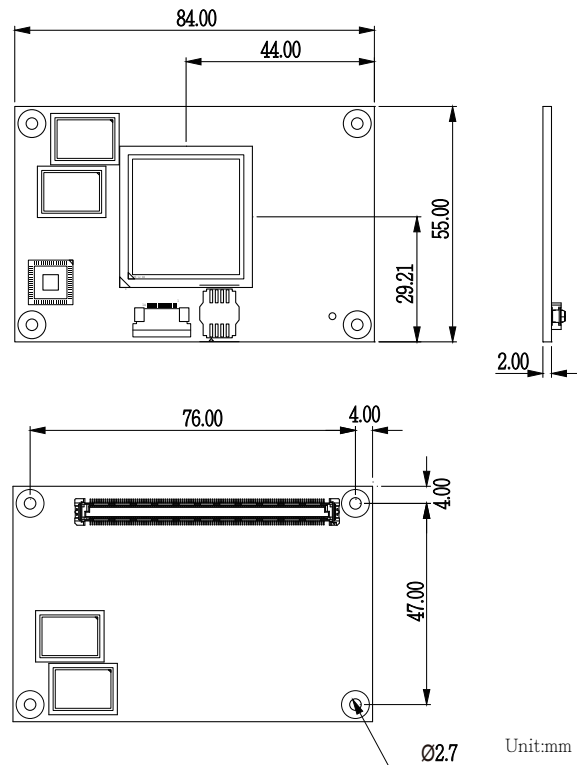


### Features

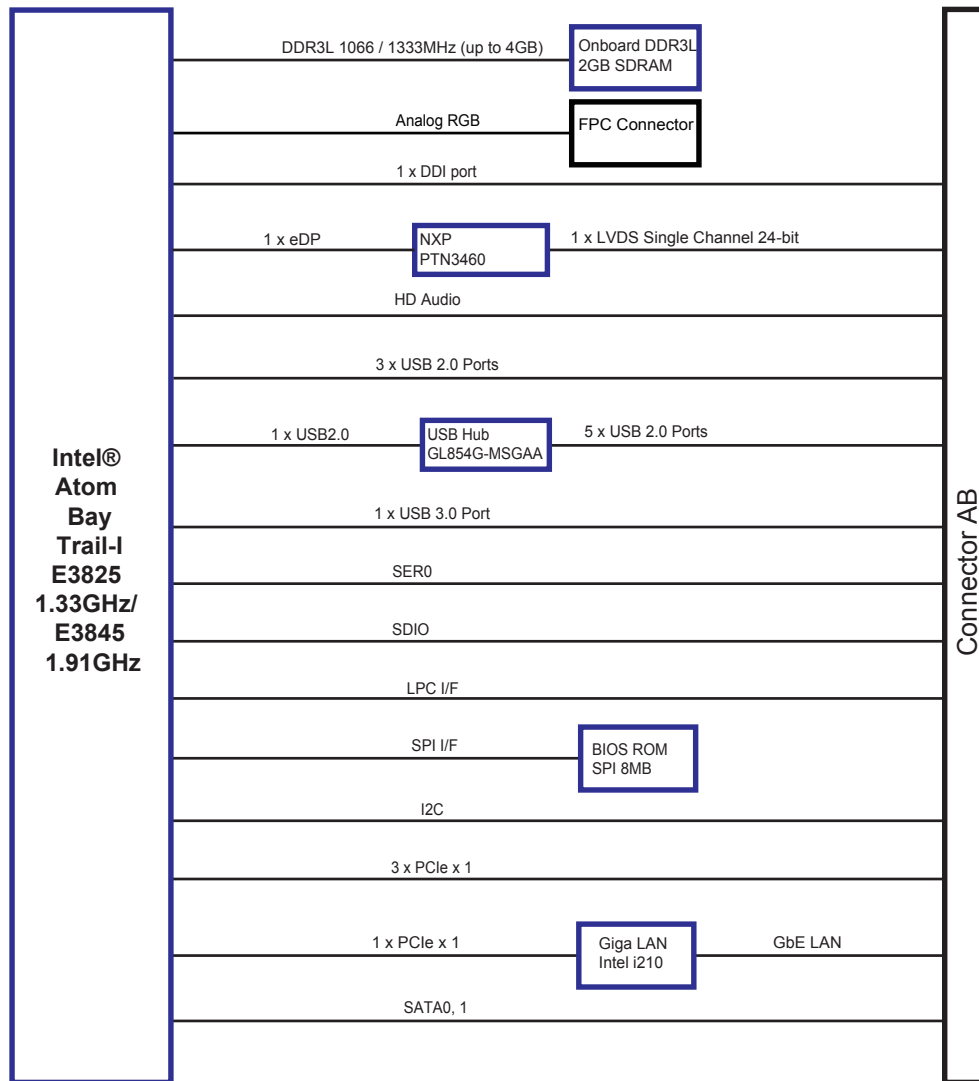
- Soldered onboard Intel® Atom E3800 series SoC processor
- Integrated Gigabit Ethernet
- 1 x DDI port, 1 x LVDS port
- 1 x USB 3.0 port, 8 x USB 2.0 ports, 1 x Serial port
- Support Dual Independent Displays
- Extended Operating Temp.: -20 ~ 70°C

System	
CPU	Intel® Atom E3825 1.33GHz or E3845 1.91GHz processor Intel® Atom E3826 1.46GHz or E3827 1.75GHz processor (BTO)
Memory	Soldered onboard 2GB DDR3L SDRAM
BIOS	Insyde UEFI BIOS
I/O	
USB Port	8 x USB 2.0 ports, 1 x USB 3.0 port
Serial Port	1 x Serial Port
Expansion Bus	3 x PCIe x1 Gen2 lanes SPI, and LPC (Low Pin Count) interface
Storage	2 x Serial ATA ports
Ethernet Chipset	1 x Intel i210IT PCIe GbE controller
SDIO	Supports SDIO
I2C	Supports I2C
AUDIO/ Interface	HD AUDIO link
Display	
Graphics Chipset	Integrated Intel® Gen 7 Graphics
Graphics Interface	Analog RGB supports by FPC connector (Optional) 1 x DDI port 1 x Single Channel 24-bit LVDS port

Mechanical & Environmental	
Power Requirement	+12V or +5V (BOM Optional)
Power Consumption	1.05A@+12V with E3825 (Typical)
Operating Temp.	-20 ~ 70°C (-4 ~ 158°F)
Operating Humidity	0 ~ 90% (non-condensing)
Dimensions (L x W)	84 x 55 mm (3.30" x 2.17")
Dimensions	



## Block Diagram



### Ordering Information

EmNANO-i2300-E3825	Intel Atom E3825 COM Express Type 10 CPU module
EmNANO-i2300-E3845	Intel Atom E3845 COM Express Type 10 CPU module
EmNANO-i2300-E3826(BTO)	Intel Atom E3826 COM Express Type 10 CPU module
EmNANO-i2300-E3827(BTO)	Intel Atom E3827 COM Express Type 10 CPU module
HS-0660-F1	Heat spreader
PBN-9007	COM Express® Mini evaluation carrier board (EPIC form factor)
CBK-05-9007-00	Cable Kit
	1 x USB cable
	1 x serial port cable
	1 x SATA cable
	1 x SATA power cable
	1 x PS/2 cable

## X-ON Electronics

Largest Supplier of Electrical and Electronic Components

*Click to view similar products for [Computer-On-Modules - COM category](#):*

*Click to view products by [Arbor Technology manufacturer](#):*

Other Similar products are found below :

[FP2-BP12](#) [CEM881PG-i7-5650U](#) [t2Express-HL-i5-4402E](#) [38017-0000-00-0](#) [36024-0000-99-1](#) [34099-0000-99-0](#) [36026-0000-99-1](#) [36026-0000-99-0](#) [38017-0000-00-5](#) [36016-4000-19-4](#) [VSTK-6ULL-NFC](#) [Express-SL-i7-6820EQ](#) [W612M3A600SC](#) [24828-107](#) [24571-309](#) [30846-682](#) [ET970K-X3G](#) [UPC-PLUSX5Q-A20-0464](#) [UPC-PLUSX7-A20-08128](#) [UPC-PLUSX5D-A20-0232](#) [UPC-PLUSX7-A20-0864](#) [UPX-WHLCR-A20-04064](#) [cExpress-BL-i5-5350U](#) [Express-BD7-D1539](#) [Express-CF-i3-8100H](#) [Express-CFR-E-2254ML](#) [Express-HLE-i3-4100E](#) [Express-IBR-i7-R-3612QE](#) [LEC-BT4-4G-8G-ER](#) [Q7-BT1-2G-8G-ER](#) [ROM-3310CS-MCA1E](#) [ROM-3310WS-MCA1E](#) [EmNANO-a56M0-210HA](#) [EmQ-i2301-E3825](#) [EmQ-i2301-E3845](#) [EmQ-i2506](#) [G552BE](#) [CEM130-V1202B](#) [CEM700-D1508](#) [conga-QA3E/E3815-2G](#) [eMMC4](#) [ET976-1807LV-4G](#) [ET976-1202-4G](#) [ET976-1605-4G](#) [ET976-1605LV-4G](#) [ET976-1605LV-8G](#) [ET976-1807LV-8G](#) [ET976-1202LV-E4G](#) [RM-N8MMI-Q208I](#) [ICE-BT-T10-E38251-R10](#) [ICE-BT-T6-N29301-R10](#)