

# Gladius G1220

## 12.1" Intel® Atom™ N2600 Rugged Tablet PC



### Features

- 12.1" TFT active matrix with resistive touch
- Ultra low power consumption for 6-hour battery life
- Fully rugged for mobile POS or warehousing application
- Meeting MIL-STD-810F, IP54, 3ft. Drop Resistance
- High mobility with multiple connectivity (Bluetooth/WLAN)
- Hot-swappable redundant dual batteries

### System

<b>CPU</b>	Intel® Atom™ N2600 1.6GHz processor
<b>Graphics Controller</b>	Intel® GMA3600
<b>Memory</b>	2GB DDR3 SO-DIMM memory module installed
<b>Chipset</b>	Intel® NM10
<b>BIOS</b>	AMI Aptio® UEFI BIOS
<b>Audio</b>	1 x Integrated microphone
	2 x Integrated 2W speakers
	1 x Earphone jack
	1 x Microphone jack
<b>Storage</b>	1 x 32GB MLC SSD
	1 x 2.5" HDD/SSD Drive (optional)

### Peripherals and Devices

<b>Camera</b>	1 x 5.0 megapixels rear-facing Auto Focus CMOS camera w/o LED (optional)
<b>Wi-Fi</b>	Integrated WLAN 802.11 a/b/g/n
<b>Bluetooth</b>	Integrated Bluetooth 4.0 BLE, Class II

### I/O Interface

<b>USB Port</b>	4 x USB 2.0 ports
<b>Serial Port</b>	1 x 20-pin connector for two RS-232 ports
<b>Ethernet</b>	1 x RJ45 GbE LAN
<b>Docking Port</b>	1 x 35-pin pogo connector for docking connection
<b>SD Card</b>	1 x SDHC/SD card slot

### Button & Indicator

<b>Function Key</b>	4 x Function keys
<b>Power Button</b>	1 x Power on/off button
	2 x Battery LEDs
<b>LED Indicator</b>	1 x HDD/SSD Active LED
	1 x Power LED

### Touch Screen

<b>Type</b>	Analog resistive touch
<b>Light Transparency</b>	80%
<b>Controller Interface</b>	USB Interface

### LCD Display

<b>Size/Type</b>	12.1" TFT Active Matrix Panel
<b>Max. Resolution</b>	1024 x 768 (XGA) with 16.2M colors
<b>Luminance</b>	500 cd/m <sup>2</sup> (typ.)
<b>Contrast Ratio</b>	700 :1
<b>View Angle (U/D/R/L)</b>	70°/70°/80°/80°
<b>Backlight Type</b>	LED

### Power Supply

<b>Adapter Input</b>	100 ~ 240VAC (Full Range)
<b>Adapter Output</b>	19VDC, 4.74A, 90W
<b>Battery Type</b>	Li-battery pack
<b>Battery Capacity</b>	2 x 1880mAh 4-cell external battery packs
<b>Battery Operating Time</b>	6 hours (typ.)

### Mechanical & Environmental

<b>Operating Temp.</b>	-20 ~ 40°C (-4 ~ 104°F)
<b>Charging Temp.</b>	0 ~ 40°C (32 ~ 104°F)
<b>Storage Temp.</b>	-20 ~ 60°C (-4 ~ 140°F)
<b>Operating Humidity</b>	10 ~ 95% @ 40°C (non-condensing)
<b>Dimensions (W x D x H)</b>	320 x 246 x 29.5 mm (12.60" x 9.69" x 1.16")
<b>Gross Weight</b>	1.9 Kg (4.19 lb)
<b>Vibration</b>	3 Grms/ 5 ~ 500Hz/ random operation
<b>Shock</b>	40G peak acceleration (11 ms duration)
<b>Transit Drop</b>	3 ft., except the front side
<b>IP Rating</b>	IP-54 (whole unit)
<b>Regulatory</b>	CE/FCC Class B, VCCI, PSE and TELEC certified

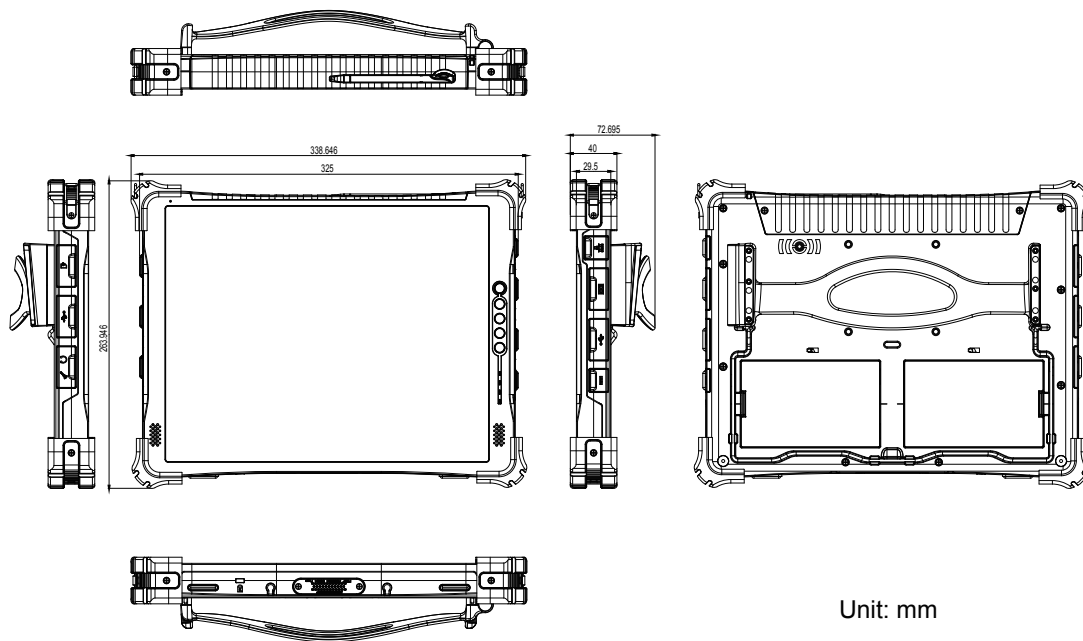
### OS Support

Windows 7 Embedded / Windows 7 Professional  
Ubuntu and Fedora Linux compatible

### Ordering Information

<b>G1220</b>	12.1" Intel® Cedar Trail N2600 Rugged Tablet PC with dual external battery packs, Bluetooth and WiFi
--------------	--

# Dimensions



Unit: mm

## Standard Accessories

<b>PAC-G090W</b>	20V/4.5A 90W AC/DC Adapter Kit	
<b>BAT-G1220</b>	2 x Gray 1880mAh External Battery Kit	
<b>Stylus</b>	Touch Screen Stylus (with rope)	
<b>RS232 COM Cable</b>	1-to-2 RS232 Cable	

## Optional Accessories

<b>PAC-G090W</b>	20V/4.5A 90W AC/DC Adapter Kit	
<b>eBAT-1220</b>	Battery Kit for G1220 (2 packs)	
<b>Stylus</b>	Touch Screen Stylus	
<b>Stand-1220</b>	Desktop Stand	
<b>HST-1220</b>	For one-handed hold of the computer	
<b>SST-1220</b>	Shoulder Strap, 128 x 3.7cm	
<b>RS232 COM Cable</b>	1-to-2 RS232 Cable	



## Optional Configuration (CTOS\* Kit)

<b>HDD320G-1220</b>	320GB HDD Kit	
<b>CAM-1220</b>	5.0M Rear CMOS Camera Kit	

\*CTOS means *Configure-to-Order Service*.

## X-ON Electronics

Largest Supplier of Electrical and Electronic Components

*Click to view similar products for [Embedded Box Computers](#) category:*

*Click to view products by [Arbor Technology](#) manufacturer:*

Other Similar products are found below :

[tBOX312-870-FL-i7-DC](#) [tBOX313-835-FL-RJ-DC](#) [UPOS-3150-R0W0E](#) [ARK-20-S8A1E](#) [R2224WTTYSR](#) [BXNUC9i5QNX](#)  
[BXNUC9i5QNX1](#) [BKNUC9V7QNX](#) [BKNUC9V7QNX1](#) [2-A0DF-2001](#) [EM3000-3845-8-128-WL-U-1](#) [TANK-870AI-i5/8G/2A-R10](#)  
[PRFE21000038](#) [EM5000-I3-8-128-WL-W7-1](#) [EM3000-3845-8-128-WL-W7-1](#) [PRFE21000039](#) [AMOS-825-1Q10A1](#) [UPS-EDAI-X70864-](#)  
[U01-DC01](#) [MXE-211/M8G](#) [PXIe-3985/M16G](#) [PXIe-3987/M16G/SSD](#) [ROScube-I, IntelR Core? i7, RQI-57](#) [AIMB-T1215DA-00Y0E](#) [AIMB-](#)  
[T1217DW-00Y0E](#) [AIMB-T12315A-00Y0E](#) [AMAX-5580-74000A](#) [AMAX-5580-54000A](#) [AMAX-5580-C3000A](#) [APAX-5580-474AE](#) [ARK-](#)  
[6322-Q0A2E](#) [DS-100GF-S8A1E](#) [DS-100GL-S8A1E](#) [EPC-R4680CQ-XAA1E](#) [ESRP-CSS-UNO2484](#) [ITA-1611-10A1E](#) [ITA-1711-10A1E](#)  
[MIC-710AI-00A1](#) [UNO-247-J1N1AE](#) [UTX-3115FS-S6A2E](#) [AMI220AF-4L-7500](#) [AMI220AF-4L-7700](#) [ELIT-1200](#) [AIE100-903-FL](#)  
[EBOX671-517-FL-DC](#) [MVS900-511-FL](#) [AMS200](#) [CSB200-898-IT](#) [SE-92-I7](#) [SI-606](#) [SI-60E](#)