

# EmETXe-i2503



## Intel® Atom™ N2600/ D2550 COM Express Compact Type 2 CPU Module



### Features

- **Fanless Design**
- Soldered Onboard Intel® Atom™ N2600 / D2550 Processor
- Integrated Gigabit Ethernet
- Single Channel 18-bit N2600 / 24-bit D2550 LVDS, Analog RGB
- Support Dual Independent Displays
- **Extended Operating Temp.: -20 ~ 70°C**

### System

<b>CPU</b>	Soldered onboard Intel® Atom™ N2600 1.6GHz/ D2550 1.86GHz processor
<b>Memory</b>	1 x DDR3 SO-DIMM socket, supporting 1066MHz SDRAM up to 4GB (D2550)/ 2GB (N2600)
<b>Chipset</b>	Intel® PCH NM10
<b>BIOS</b>	AMI UEFI BIOS
<b>Watchdog Timer</b>	1~255 levels reset

### I/O

<b>USB Port</b>	8 x USB 2.0 ports
<b>Digital IO</b>	8-bit programmable Digital Input/ Output
	2 x PCIe x1 lanes
<b>Expansion Bus</b>	4 x PCI masters
	SPI and LPC (Low Pin Count) interfaces
<b>Storage</b>	2 x Serial ATA ports with 300MB/s HDD transfer rate
<b>Ethernet Chipset</b>	1 x Intel® 82583V PCIe GbE controller
<b>Audio</b>	HD Audio Link

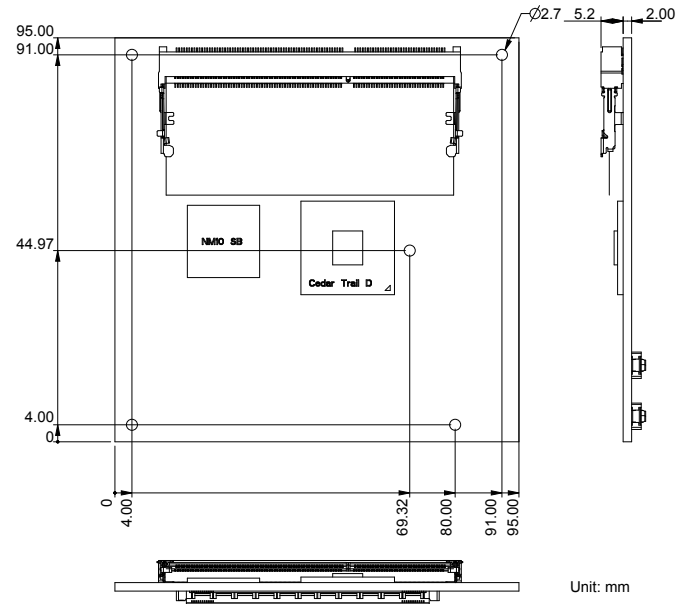
### Display

<b>Graphics Chipset</b>	Integrated Intel® Graphics Media Accelerator 3650 (Gfx frequency 640 MHz) for D2550 processor Integrated Intel® Graphics Media Accelerator 3600 (Gfx frequency 400 MHz) for N2600 processor
	Support Analog RGB
<b>Graphics Interface</b>	LCD: - Single Channel 18-bit LVDS for N2600 - Single Channel 24-bit LVDS for D2550 Support Dual Independent Displays

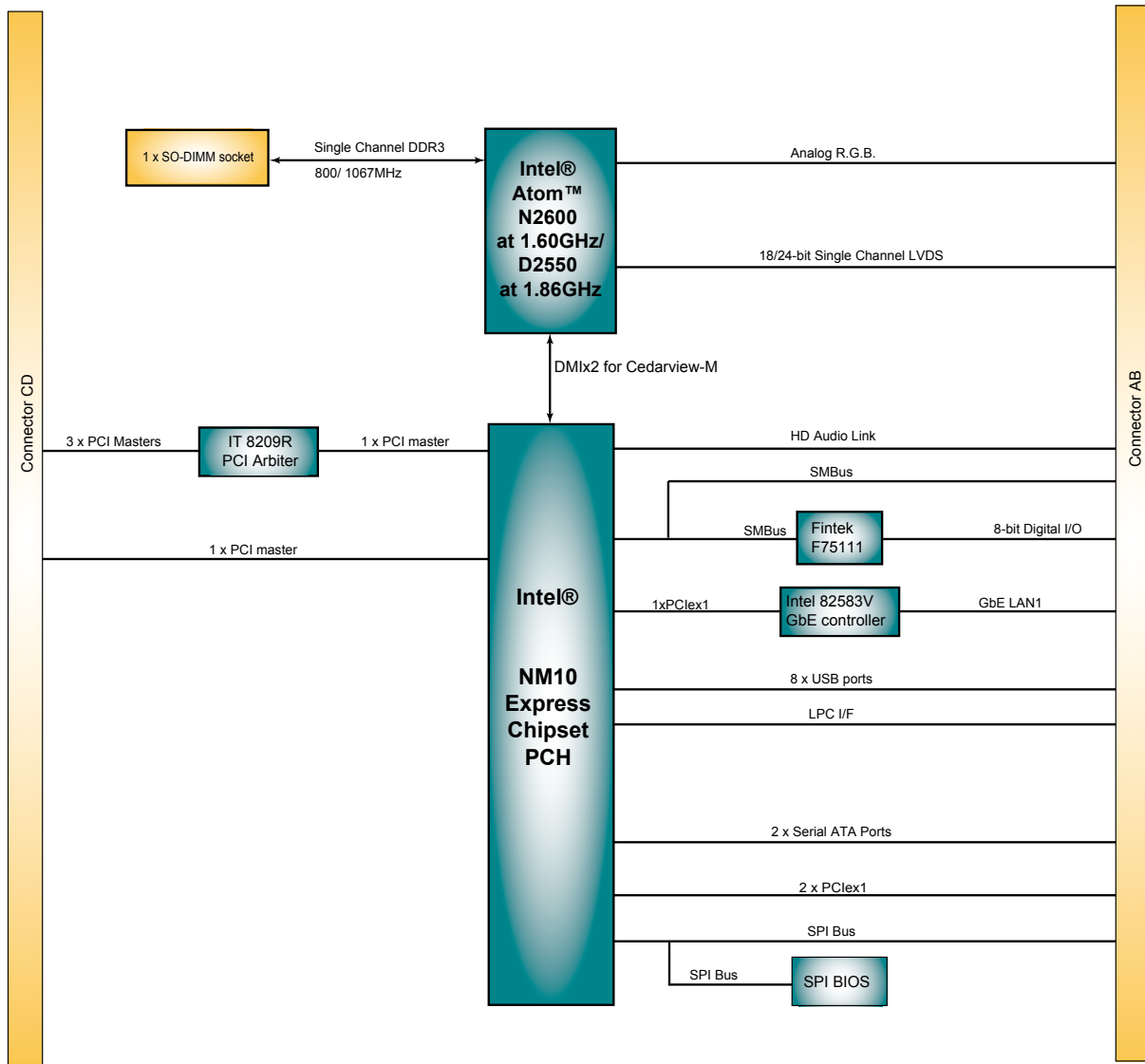
### Mechanical & Environmental

<b>Power Requirement</b>	+12V, 5VSB
<b>Power Consumption</b>	0.95A@+12V (Typical)
<b>Operating Temp.</b>	-20 ~ 70°C (-4 ~ 158°F)
<b>Operating Humidity</b>	10 ~ 95% @ 70°C (non-condensing)
<b>Dimension (L x W)</b>	95 x 95 mm (3.7" x 3.7")

### Dimensions



## Block Diagram



## Ordering Information

**EmETXe-i2503-N26** Intel® Atom™ N2600 1.6GHz COM express Compact CPU module

**EmETXe-i2503-D25 (BTO)** Intel® Atom™ D2550 1.86GHz COM express Compact CPU module

## Optional Accessories

**HS-250C-F2** Heat spreader (95x95x11mm)

**HS-0000-W4** Universal evaluation heatsink kit w/ thermal pad (dimension: 125x95x22mm, only used on a flat type heatspreader)

**PBE-1700-F R1.3** COM Express Type 2 evaluation board in ATX form factor w/ F71869 Super IO

Page 64

**CBK-04-1700-00** Cable kit

- 1 x SATA cable
- 1 x COM port cable
- 1 x FDD cable
- 1 x IDE cable

**CPF-0000-C1** FAN, 4500RPM, 60x60x20mm

## X-ON Electronics

Largest Supplier of Electrical and Electronic Components

*Click to view similar products for [Heat Sinks](#) category:*

*Click to view products by [Arbor Technology](#) manufacturer:*

Other Similar products are found below :

[581102B00000G](#) [656-15ABPE](#) [657-20ABPNE](#) [7020B-TC12-MTG](#) [73452PPBA](#) [7G0011A](#) [PF720G](#) [A22-4026](#) [HAH10L](#) [HF20](#) [1542616-1](#)  
[HS-2506-F1](#) [HS-87M0-F2](#) [218-40CTE3](#) [231-69PAB-15V](#) [25-7520](#) [SW50-4G](#) [231-75PAB-13V](#) [231-75PAB-15V](#) [253-122ABE-22](#) [PSC22CB](#)  
[CLP212SG](#) [CLP-7701G](#) [HAA083](#) [HAF10L](#) [HAQ10T](#) [D10100-28](#) [TO5-002D](#) [BDN183CBA01](#) [3-21053-4](#) [32438](#) [TX0506-1B](#) [TX1806B](#)  
[LAE66A3CB](#) [WA-DT2-101E](#) [511-3U](#) [73381PPBA](#) [73403PPBA](#) [7G0047C](#) [COMX-440-HSP](#) [510-12M](#) [D10650-40T5](#) [V8511 Y](#)  
[APF40-40-13CB/A01](#) [780653U04500G](#) [ATS-54310K-C2-R0](#) [FK 216 CB SA](#) [FK 231 SA 220](#) [648-51AB](#) [657-20ABPESC](#)