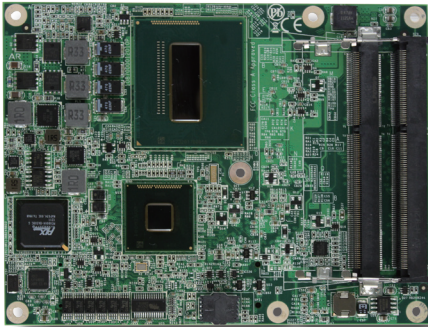


# EmETXe-i87M0

## Intel® 4th Generation Core™ COM Express Basic Type 6 CPU Module



### Features

- Soldered onboard Intel® 4th Generation Core™ processor
- Integrated Gigabit Ethernet
- Dual channels 24-bit LVDS, Analog RGB, and 3 x DDI ports
- Supports 3 independent displays
- RAID 0, 1, 5, 10 supported
- Support Intel® Active Management Technology (Intel AMT)
- **Extended Operating Temp.: -20 ~ 70°C**

### System

<b>CPU</b>	Intel® 4th Generation Core™ i5-4402E 1.6GHz processor
<b>Memory</b>	2 x DDR3L SO-DIMM sockets, supporting SDRAM up to 16GB
<b>Chipset</b>	Intel® PCH QM87
<b>BIOS</b>	AMI UEFI BIOS
<b>Watchdog Timer</b>	1~255 levels reset

### I/O

<b>USB Port</b>	12 x USB ports: - 8 x USB 2.0 ports - 4 x USB 3.0 ports
<b>Digital I/O</b>	8-bit programmable Digital Input/Output
<b>Expansion Bus</b>	1 x PCIe x16 Gen3 lanes 8 x PCIe x1 Gen2 lanes
<b>Storage</b>	4 x Serial ATA ports: - 2 ports with 600MB/s HDD transfer rate - 2 ports with 300MB/s HDD transfer rate SATA RAID 0, 1, 5, 10 supported
<b>Ethernet Chipset</b>	1 x Intel® i217 PCIe GbE PHY
<b>Audio</b>	HD AUDIO link

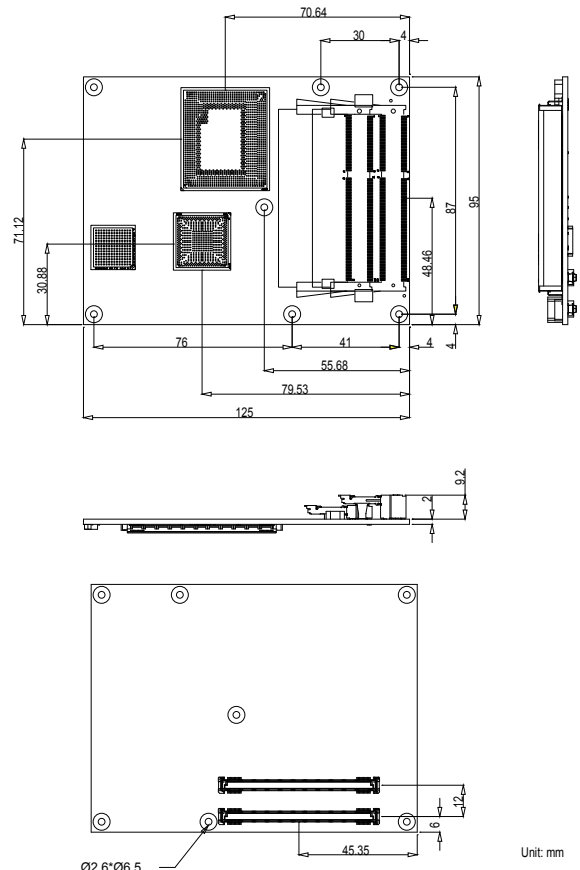
### Display

<b>Graphics Chipset</b>	Integrated Intel® HD Graphics 4600
<b>Graphics Interface</b>	Analog RGB supports up to 1920x1200@60Hz LCD: Dual Channels 24-bit LVDS up to 1920 x 1200 @60Hz 3 x DDI ports

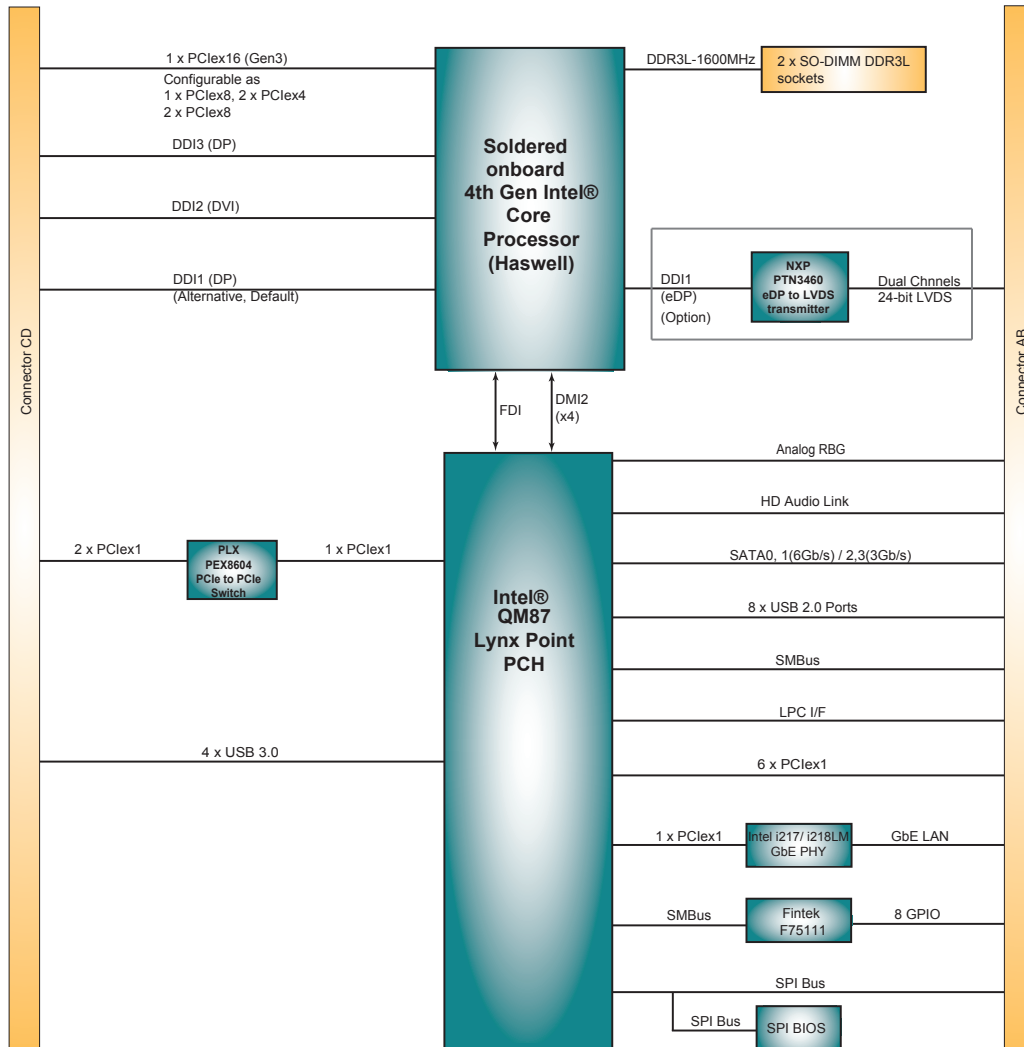
### Mechanical & Environmental

<b>Power Requirement</b>	+12V
<b>Power Consumption</b>	3A @+12V
<b>Operating Temp.</b>	-20 ~ 70°C (-4 ~ 158°F)
<b>Operating Humidity</b>	10 ~ 95% @ 70°C (non-condensing)
<b>Dimensions (L x W)</b>	125 x 95 mm (4.9" x 3.7")

### Dimensions



# Block Diagram



## Ordering Information

**EmETXe-i87M0-4402E** Intel® 4<sup>th</sup> Generation Core™ i5-4402E/ QM87 COM Express CPU module

## Optional Accessories

<b>HS-87M0-F1</b>	Heat spreader (125x95x18mm)
<b>HS-87M0-F2</b>	Heat spreader (95x95x11mm)
<b>HS-0000-W4</b>	Universal evaluation heat sink kit w/ thermal pad (Dimensions: 125x95x22mm, only used on a flat-type heat spreader)
<b>PBE-1702</b>	COM Express type 6 evaluation carrier board (ATX form factor)
<b>CBK-04-1702-00</b>	Cable Kit <ul style="list-style-type: none"> <li>• 1 x SATA cable</li> <li>• 2 x COM port cables</li> <li>• 1 x USB cable</li> </ul>

## X-ON Electronics

Largest Supplier of Electrical and Electronic Components

*Click to view similar products for [Heat Sinks](#) category:*

*Click to view products by [Arbor Technology](#) manufacturer:*

Other Similar products are found below :

[581102B00000G](#) [656-15ABPE](#) [657-20ABPNE](#) [7020B-TC12-MTG](#) [73452PPBA](#) [7G0011A](#) [PF720G](#) [A22-4026](#) [HAH10L](#) [HAH15L](#) [HF20](#)  
[1542616-1](#) [HS-2506-F1](#) [HS-87M0-F2](#) [218-40CTE3](#) [231-69PAB-15V](#) [25-7520](#) [SW50-4G](#) [231-75PAB-13V](#) [231-75PAB-15V](#) [253-122ABE-](#)  
[22](#) [PSC22CB](#) [CLP212SG](#) [CLP-7701G](#) [HAA083](#) [HAF10L](#) [HAQ10T](#) [D10100-28](#) [TO5-002D](#) [BDN183CBA01](#) [3-21053-4](#) [32438](#) [TX0506-1B](#)  
[TX1806B](#) [LAE66A3CB](#) [WA-DT2-101E](#) [511-3U](#) [73381PPBA](#) [73403PPBA](#) [7G0047C](#) [COMX-440-HSP](#) [510-12M](#) [D10650-40T5](#) [V8511 Y](#)  
[APF40-40-13CB/A01](#) [780653U04500G](#) [ATS-54310K-C2-R0](#) [FK 216 CB SA](#) [FK 231 SA 220](#) [648-51AB](#)