

# P6150

## Fanless 15" Industrial Panel PC with Intel® Atom™ D525



### Features

- Fanless Design
- Intel® Atom™ D525 1.8GHz Processor
- 15" XGA LED Panel
- Ultra Slim and Compact Mechanical Design
- Supports Wide Range DC Power Input (19-48V)
- Intel® SSD Compatible

### System

<b>CPU</b>	Soldered onboard Intel® Atom™ D525 1.8GHz processor
<b>Memory</b>	Soldered onboard 2GB DDR3 SDRAM
<b>Chipset</b>	Intel® ICH8M
<b>LAN</b>	2 x Intel® 82574L Gigabit Ethernet controllers
<b>Watchdog Timer</b>	1~255 levels reset

### Storage

<b>Type</b>	1 x 2.5" drive bay for SATA SSD/HDD
<b>CF Type</b>	1 x CF socket

### LCD Display

<b>Size/Type</b>	15" TFT LCD Panel
<b>Max. Resolution</b>	1024 x 768, XGA
<b>Max. Colors</b>	262K
<b>Luminance</b>	300 cd/m <sup>2</sup>
<b>Touch Screen</b>	5-wire, Analog Resistive

### Power System

<b>Power Input</b>	DC 19~48V
--------------------	-----------

### Certification

<b>EMC / EMI</b>	CE, FCC Class A
------------------	-----------------



### External I/O

<b>Serial Ports</b>	4 x COM ports (COM1-2: RS-232; COM3-4: RS-232/422/485 selectable)
<b>USB Ports</b>	4 USB ports
<b>LAN</b>	2 x LAN RJ-45 connectors
<b>AUDIO</b>	1 x Mic-in , 1 x Line-out
<b>KB/MS</b>	2 x PS2 KB/MS connectors
<b>DC Power In</b>	1 x 3-pin connector
<b>Optional Port</b>	1 x Reserved VGA Port by default, but can be changed; ex. Field-Bus card.

### Expansion

<b>Expansion Bus</b>	2 x Mini PCIe Socket , 1x PCIe Slot
----------------------	-------------------------------------

### Mechanical

<b>Mounting Type</b>	VESA-100 mounting
<b>Chassis</b>	Panel-mounting chassis, Aluminum Front Bezel and steel chassis
<b>Dimension (W x D x H)</b>	390 x 310 x 74 mm (15.35" x 12.20" x 2.91")
<b>Weight (Net)</b>	6 kg (13.22 lb)

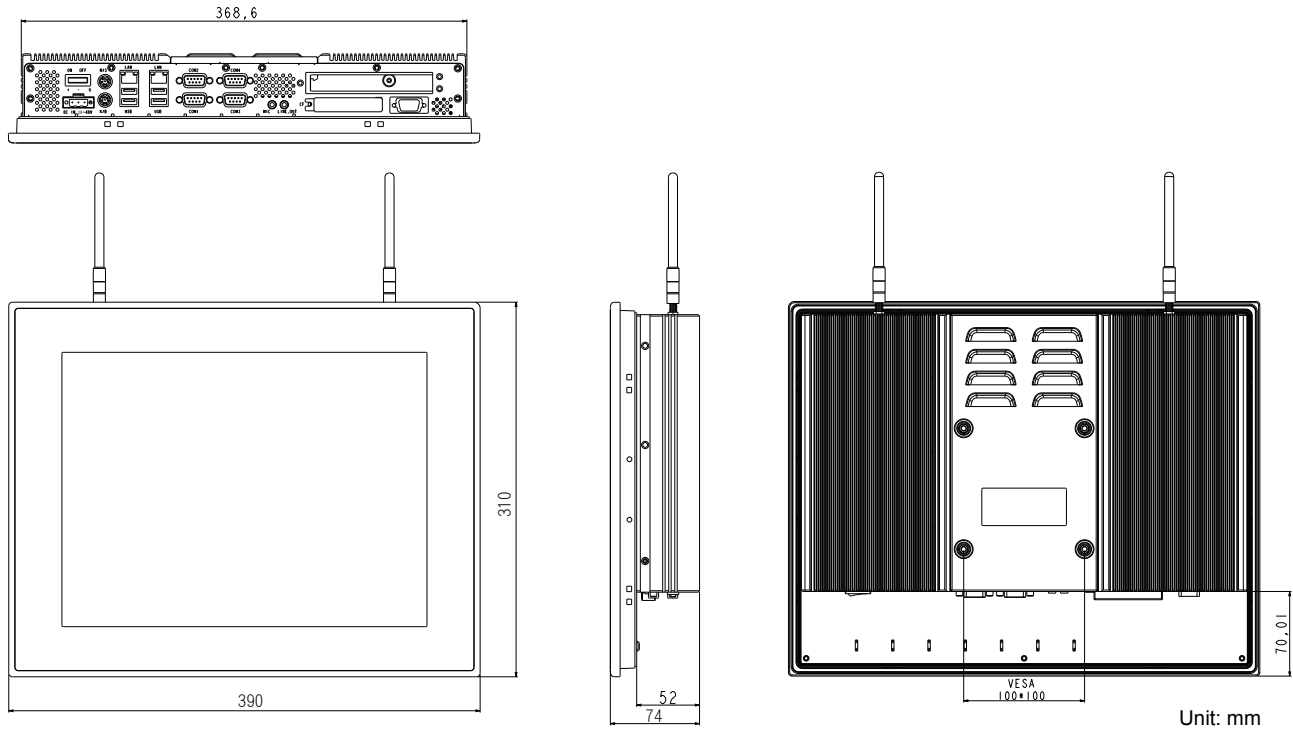
### Environmental

<b>Operating Temp.</b>	-20 ~ 50°C (-4 ~ 122°F)
<b>Storage Temp.</b>	-20 ~ 70°C (-4 ~ 158°F)
<b>Operating Humidity</b>	0 ~ 95% RH @40°C (non-condensing)
<b>Vibration</b>	5~500Hz , 2Grms Random (with CF/SSD)
<b>Shock</b>	Operating 15G, 11ms Non-operating 40G, 11ms (with CF/SSD)

### Ordering Information

<b>P6150</b>	Intel® Atom™ D525 Industrial panel PC
--------------	---------------------------------------

# Dimensions



## Optional Accessories

### PAC-P065W

65W AC/DC power adapter kit



**Power Input** 100 ~ 240 VAC

**Power Output** 19 VDC, 3.4A, 65W

## Optional Configuration (CTOS\* Kit)

### SSD-25040

Intel® 2.5" 40GB SATAII SSD kit



**Brand/Type** Intel / 2.5 inch

**Interface** SATAII

**Capacity** 40GB

**Dimensions (W x D x H)** 100.45 x 69.85 x 9.5 mm (3.95" x 2.75" x 0.37")

### WIFI-IN1350



**Intel® Centrino® Advanced-N 6205 WiFi module w/ 20cm & 30cm internal wiring**

### ANT-D11



**1 x WiFi Dual-band 2.4G/5G antenna**

\*CTOS means *Configure to Order Service*.

## X-ON Electronics

Largest Supplier of Electrical and Electronic Components

*Click to view similar products for [Desktop AC Adapters](#) category:*

*Click to view products by [Arbor Technology](#) manufacturer:*

Other Similar products are found below :

[212A2136](#) [ADP485-01](#) [SWA-1202](#) [SWA-1501](#) [212A2220](#) [KR8-PS01](#) [1894875](#) [FWE050024B-10A](#) [820A4080G](#) [825A0057-03](#) [SWA-1704W](#) [AD5012N2LM-\(401\)](#) [TRH21A120-49E03-Level-VI](#) [FWC100024A-11A](#) [FWE050012B-10A](#) [AC-DC ADAPTER 90W w/ Cable](#) [FWA065024A-11A](#) [PSA120U-560L6](#) [96PSA-A63W18V1-M](#) [1895235](#) [PW-C0725-W2-B](#) [57-U1](#) [57-U2](#) [SED80N2-16.0](#) [SED80N3-16.0](#) [RFQ43442-01](#) [YS50-1903150](#) [50966124050E](#) [MEA-045AA2C K-A](#) [PCM50UT04](#) [PCM50UT05](#) [CPSUNOTAKY-07056](#) [CPSUNOTAKY-07168](#) [CPSUNOTAKY-07169](#) [CPSUNOTAKY-07234](#) [CPSUNOTAKY-07236](#) [CPSUNOTAKY-07288](#) [CPSUNOTAKY-07312](#) [CPSUNOTAKY-07342](#) [CPSUNOTAKY-07388](#) [TE30A0503F01](#) [TE30A4803F01](#) [TE40A2403F01](#) [TE40A2403N01](#) [ME30A1803N01](#) [ME30A4803F01](#) [ME40A1203N01](#) [ME40A2403N01](#) [MENT1150A2451F01](#) [125530040F](#)