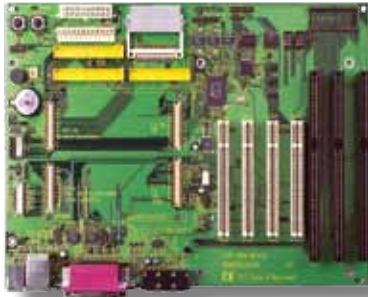


# PBE-1000

# ETX

## ETX® Evaluation Board in ATX Form Factor



### Features

- **ETX® 3.02 Compliant**
- Integrated Gigabit Ethernet
- POST Code Diagnostics
- Secondary Multi I/O (COM3, COM4)

### I/O

	4 x COM ports (COM1, 3, 4: RS-232 ports; COM2: RS-232/422/485 selectable) COM3, COM4, BIOS integrated W83977EF secondary I/O controller
<b>Serial Port</b>	
<b>Parallel Port</b>	SPP/EPP/ECP mode, shared with Floppy
<b>Digital I/O</b>	16-bit Digital Input/Output, 8-input/8-output
<b>USB Port</b>	4 x USB connectors
<b>KB/MS</b>	1 x PS/2 keyboard connector 1 x PS/2 mouse connector
<b>Expansion Bus</b>	4 x PCI slots 3 x 16-bit ISA slots
<b>Storage</b>	2 x Ultra ATA 100, supporting 4 IDE devices (Secondary IDE depends on CPU module) 1 x Floppy disk drive, shared with parallel port 1 x CFast socket
<b>Ethernet Chipset</b>	1 x RJ-45 Ethernet connector with LED
<b>Audio</b>	Mic-in/Line-in/Line-out connector

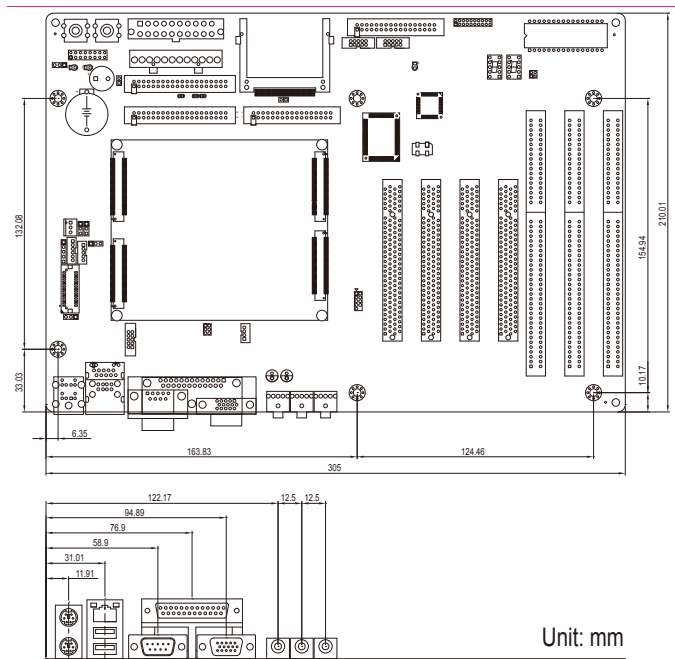
### Display

<b>Video</b>	Analog RGB, LVDS, TV-out connector (depending on CPU module)
--------------	--

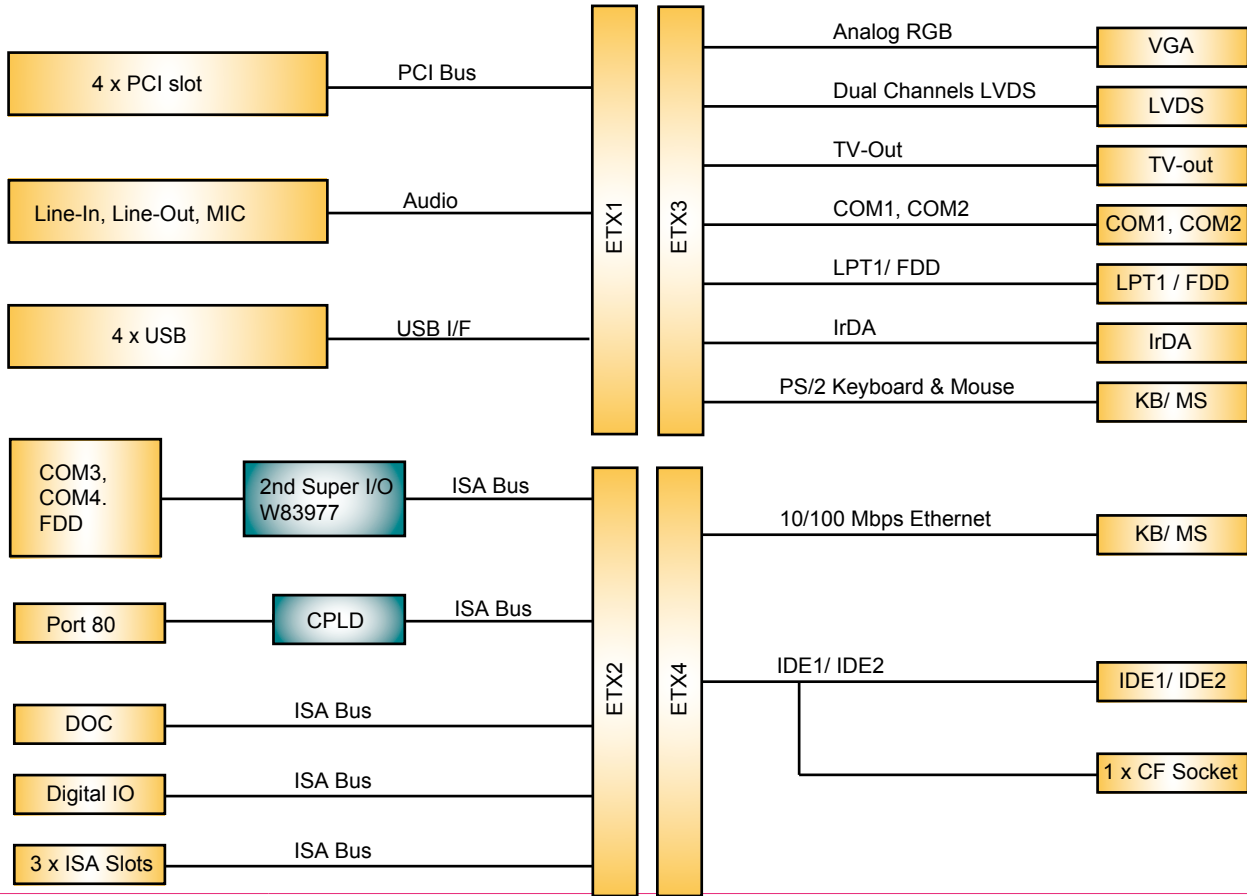
### Mechanical & Environmental

<b>Power Requirement</b>	AT Type: P9/P8 12-pin connector ATX Type: 20-pin source with 3-pin ATX control
<b>Operating Temp.</b>	0 ~ 60°C (32 ~ 140°F)
<b>Operating Humidity</b>	10 ~ 95% @ 60°C (non-condensing)
<b>Dimensions (L x W)</b>	305 x 210 mm (12" x 8.27")

### Dimensions



## Block Diagram



## Ordering Information

**PBE-1000 R2.1**

ATX form factor ETX<sup>®</sup> evaluation board with POST, secondary I/O and flash disk socket

## Optional Accessories

**CBK-05-1000-00**

- Cable kit
- 1 x FDD cable
  - 3 x COM port cables
  - 1 x USB cable
  - 2 x IDE cables
  - 1 x TV-out cable

## X-ON Electronics

Largest Supplier of Electrical and Electronic Components

*Click to view similar products for [Development Boards & Kits - x86 category](#):*

*Click to view products by [Arbor Technology manufacturer](#):*

Other Similar products are found below :

[conga-MEVAL](#) [iQ7-DB-MATX-R10](#) [IT6/COMe Carrier](#) [DFR0453](#) [Q7-BASE-R01](#) [Starterkit-CFE-E-2176M-3DIMM/M48G](#) [Starterkit-COM Express 6](#) [VIZI-AI LEC-AL-E3940-AI-4G-32G/EMEA](#) [VPX-R300](#) [AKX00002](#) [AKX00002SL](#) [CEB94701](#) [7000-54864-102-101](#) [ARDUINO2.AL.B](#) [ARDUINO.AL.B](#) [GT.PDKW](#) [IOTGTWY.DK110](#) [IOTGTWY.DK200](#) [IOTGTWY.DK300](#) [IOTGTWY.DK50](#) [MIKROE-2582](#) [102010028](#) [110060064](#) [110060382](#) [110060577](#) [SOM-DB5800-00A2E](#) [ROM-DB7500-SCA1E](#) [conga-QEVAL/Qseven 2.0](#) [conga-QKIT X7EVAL/ind](#) [34101-0000-00-2](#) [68300-0000-00-0](#) [MIKROE-2546](#) [DEV-13033](#) [ETXDB1](#)