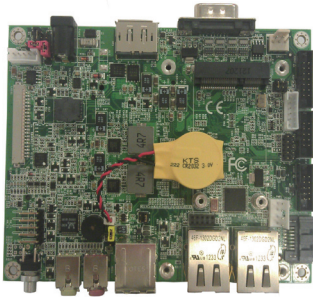


# PBN-9007



## COM Express Type 10 Carrier Board



### Features

- COM Express Type 10 Carrier Board
- LVDS, and Display Port
- Soldered Onboard Touch Screen Controller
- Wide Range Operating Temp.: -40 ~ 85°C

### I/O

<b>Serial Port</b>	2 x COM Ports (1 x COM with DB-9, 1 x RS-232/422/485 selectable)
<b>USB Port</b>	6 x USB 2.0 ports
<b>Digital I/O</b>	8-bit programmable Digital Input/Output
<b>AUDIO/ Interface</b>	HD CODEC Realtek ALC662, MIC/ Line-out phone jack
<b>Touch Panel</b>	1 x Touch
<b>Expansion Bus</b>	1 x Mini-Card socket 1 x SIM socket
<b>Ethernet Chipset</b>	1 x Intel® 82583V PCIe Gigabit Ethernet controller 1 x GbE by CPU module

### Display

<b>Graphics Chipset</b>	GPU: Depending on CPU module
<b>Graphics Interface</b>	1 x LVDS connector 1 x Display Port

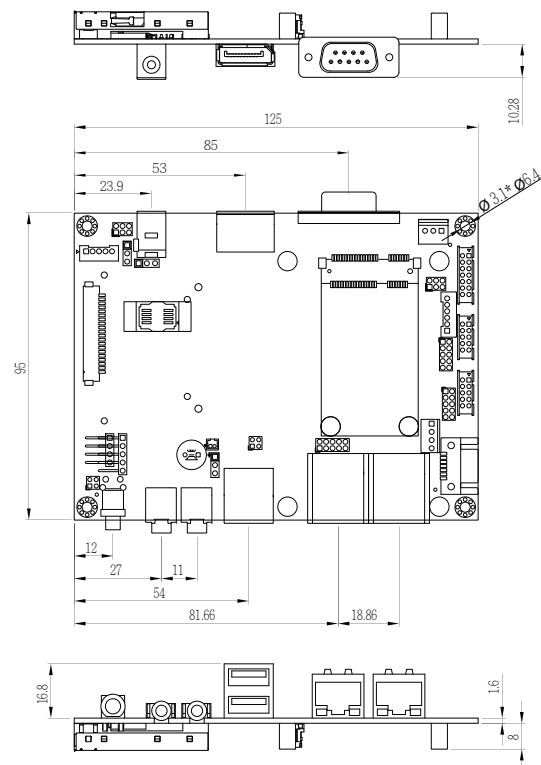
### Touch Screen Interface

<b>Mode</b>	5-pin header wire
-------------	-------------------

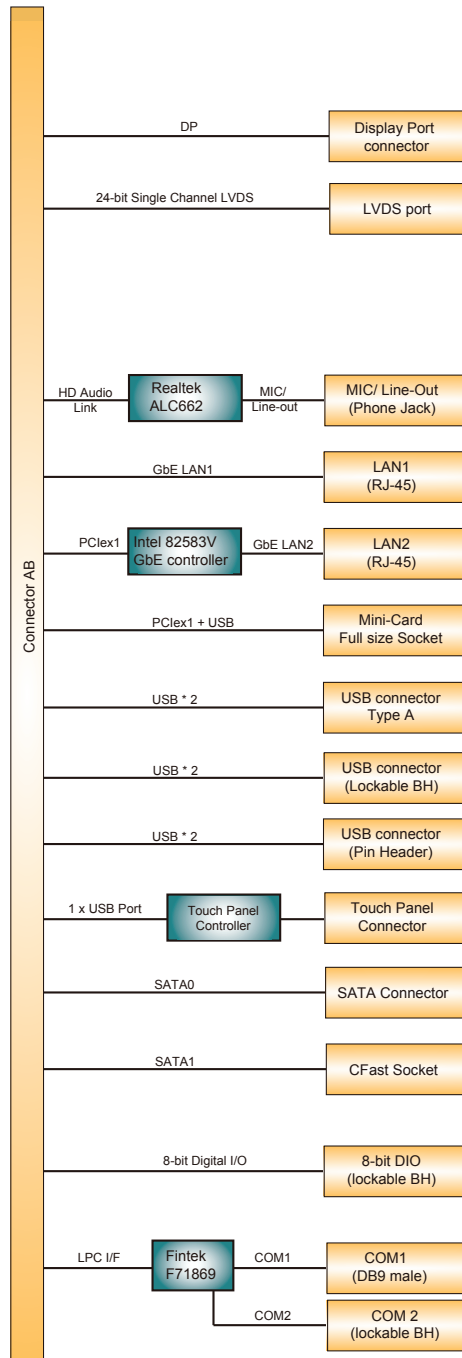
### Mechanical & Environmental

<b>Power Requirement</b>	+12V DC
<b>Power Consumption</b>	1.67A@+12V w/ EmNANO-i250D (Typical)
<b>Operating Temp.</b>	-40 ~ 85°C (-40 ~ 185°F)
<b>Operating Humidity</b>	0 ~ 90% (non-condensing)
<b>Dimension (L x W)</b>	125 x 95 mm (4.9" x 3.7")

### Dimensions



# Block Diagram



## Ordering Information

<b>PBN-9007</b>	COM Express Type 10 Carrier Board
<b>CBK-05-9007-00</b>	Cable kit 1 x SATA cable 1 x SATA Power cable 1 x COM port cable 1 x USB cable 1 x PS/2 cable

## X-ON Electronics

Largest Supplier of Electrical and Electronic Components

*Click to view similar products for [Development Boards & Kits - x86 category](#):*

*Click to view products by [Arbor Technology manufacturer](#):*

Other Similar products are found below :

[conga-MEVAL](#) [iQ7-DB-MATX-R10](#) [IT6/COMe Carrier](#) [DFR0453](#) [Q7-BASE-R01](#) [Starterkit-CFE-E-2176M-3DIMM/M48G](#) [Starterkit-COM Express 6](#) [VIZI-AI LEC-AL-E3940-AI-4G-32G/EMEA](#) [VPX-R300](#) [AKX00002](#) [AKX00002SL](#) [CEB94701](#) [7000-54864-102-101](#) [ARDUINO2.AL.B](#) [ARDUINO.AL.B](#) [GT.PDKW](#) [IOTGTWY.DK110](#) [IOTGTWY.DK200](#) [IOTGTWY.DK300](#) [IOTGTWY.DK50](#) [MIKROE-2582](#) [NAE-CW308T-D2000](#) [102010028](#) [110060064](#) [110060382](#) [110060577](#) [SOM-DB5800-00A2E](#) [ROM-DB7500-SCA1E](#) [conga-QEVAL/Qseven 2.0](#) [conga-QKIT](#) [X7EVAL/ind](#) [34101-0000-00-2](#) [68300-0000-00-0](#) [MIKROE-2546](#) [DEV-13033](#) [ETXDB1](#)