

PBQ-3000



Qseven™ Carrier Board in EPIC Form Factor



Features

- **Qseven™ Carrier Board**
- Dual Gigabit Ethernet Ports
- Integrated Gigabit Ethernet
- Single Channel 24-bit LVDS/ Dual Channels 24-bit LVDS
- Analog RGB, DVI
- Wide Range DC Power Input: 10V ~ 30V

I/O

Serial Port	4 x COM ports (3 x RS-232 port, 1 x RS-232/422/485 selectable port)
USB Port	6 x USB 2.0 ports
Digital IO	8-bit programmable Digital Input/ Output
Expansion Bus	1 x Mini-card slot LPC (Low Pin Count) interface
Storage	2 x Serial ATA ports with 300MB/s HDD transfer rate
Ethernet Chipset	1 x Intel® 82583V PCIe GbE controller 1 x GbE by Qseven™ CPU module
Audio Interface	Realtek ALC662 CODEC, MIC/ Line-out phone jack

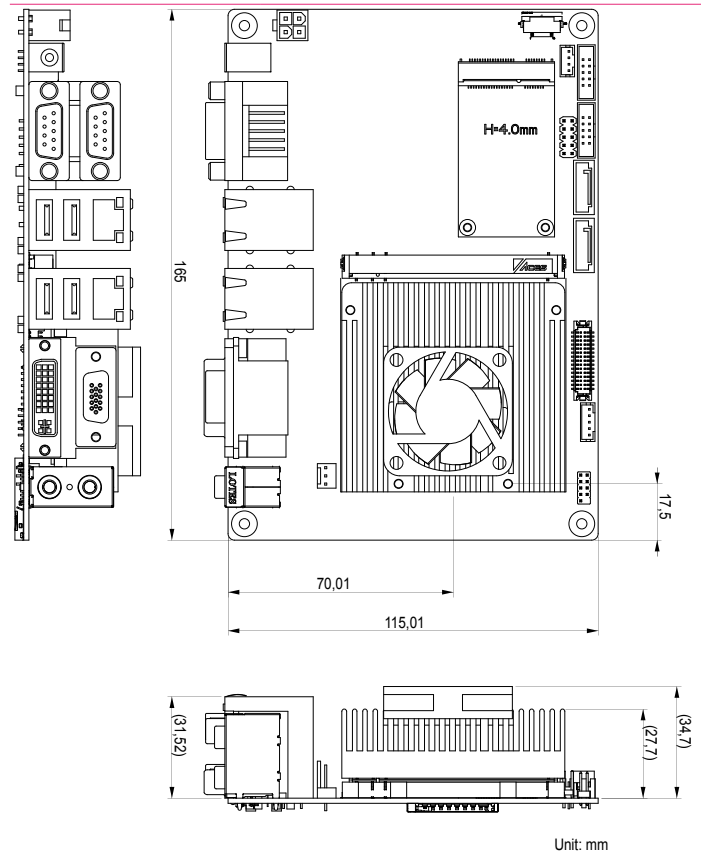
Display

Graphics Chipset	GPU: depending on Qseven CPU module
Graphics Interface	1 x Single Channel 24-bit LVDS (default) 1 x Dual Channels 24-bit LVDS (by DP to LVDS bridge) 1 x DDI port (only for EmQ-i2506, optional) 1 x DVI-D connector, supporting resolution up to 1920 x 1200 1 x Analog RGB (by reserved pin from Qseven GF/ EmQ-i2506 only, optional)

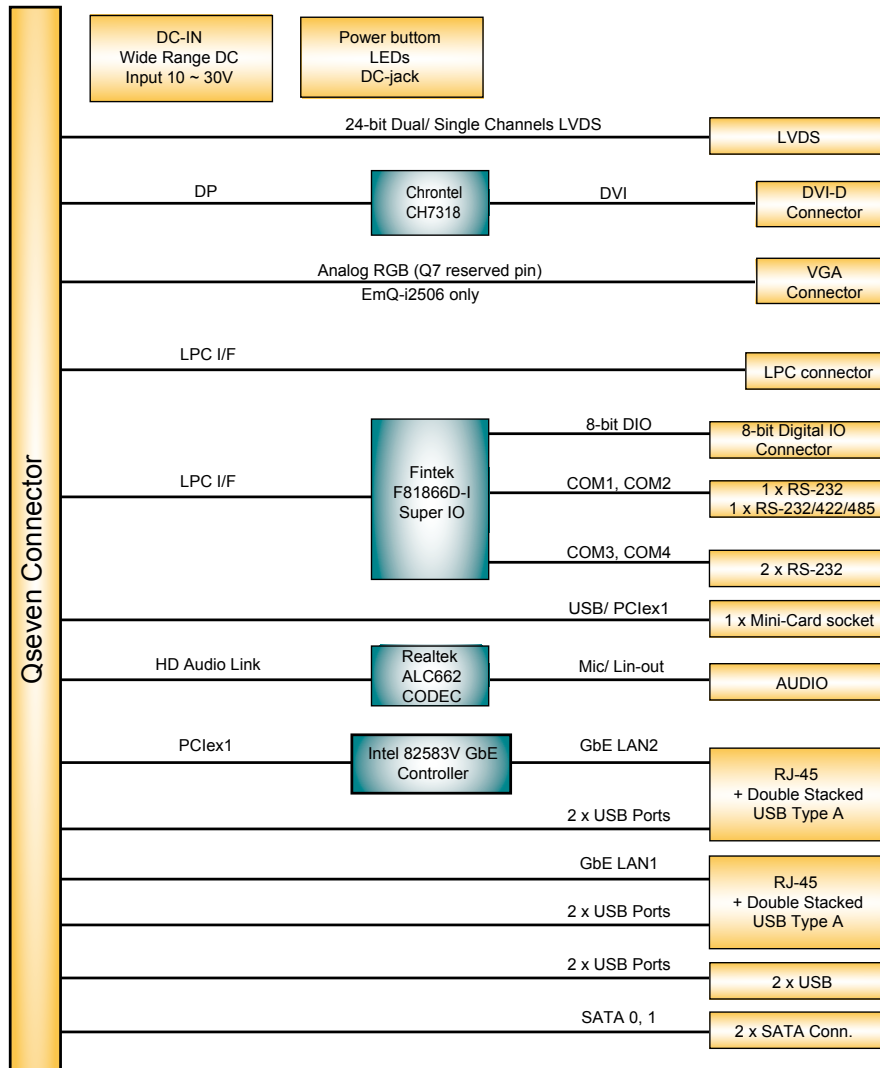
Mechanical & Environmental

Power Requirement	4-pin Aux. ATX power connector for wide range DC power input 10V ~ 30V
Power Consumption	1.26A@+12V w/ EmQ-i2506 (Typical)
Operating Temp.	-20 ~ 70°C (-4 ~ 158°F)
Operating Humidity	10 ~ 95% @ 70°C (non-condensing)
Dimension (L x W)	165 mm x 115 mm (6.5" x 4.5")

Dimensions



Block Diagram



Ordering Information

PBQ-3000

Qseven™ carrier board in EPIC form factor

Optional Accessories

CBK-06-3000-00

- Cable kit
- 1 x USB cable
 - 1 x USB2 cable
 - 2 x Serial port cables
 - 1 x SATA cable
 - 1 x SATA power cable

X-ON Electronics

Largest Supplier of Electrical and Electronic Components

Click to view similar products for [Development Boards & Kits - x86 category](#):

Click to view products by [Arbor Technology manufacturer](#):

Other Similar products are found below :

[conga-MEVAL](#) [iQ7-DB-MATX-R10](#) [IT6/COMe Carrier](#) [DFR0453](#) [Q7-BASE-R01](#) [Starterkit-CFE-E-2176M-3DIMM/M48G](#) [Starterkit-COM Express 6](#) [VIZI-AI LEC-AL-E3940-AI-4G-32G/EMEA](#) [VPX-R300](#) [AKX00002](#) [AKX00002SL](#) [CEB94701](#) [7000-54864-102-101](#) [ARDUINO2.AL.B](#) [ARDUINO.AL.B](#) [GT.PDKW](#) [IOTGTWY.DK110](#) [IOTGTWY.DK200](#) [IOTGTWY.DK300](#) [IOTGTWY.DK50](#) [MIKROE-2582](#) [102010028](#) [110060064](#) [110060382](#) [110060577](#) [SOM-DB5800-00A2E](#) [ROM-DB7500-SCA1E](#) [conga-QEVAL/Qseven 2.0](#) [conga-QKIT X7EVAL/ind](#) [34101-0000-00-2](#) [68300-0000-00-0](#) [MIKROE-2546](#) [DEV-13033](#) [ETXDB1](#)