

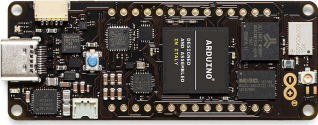
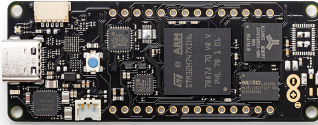
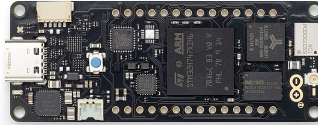
## Description

Portenta H7 family runs high level codes along with real time tasks thanks to the two processors that makes it possible to run tasks in parallel. For example, it is possible to execute Arduino compiled code along with MicroPython one simultaneously, and have both cores to communicate with one another.

Within the H7 family, there are two variants; H7 Lite and H7 Lite Connected. All the three boards and their differences are presented in this datasheet.

## Target Areas:

Laboratory equipment, Computer vision

Name	Portenta H7	Portenta H7 Lite	Portenta H7 Lite Connected
SKU	ABX00042	ABX00045	ABX00046
Preview			
Security	ATECC608 NXP SE0502	ATECC608	ATECC608
Connectivity	Ethernet PHY / Wi-Fi® / Bluetooth® Low Energy (BLE 5 via Cordio stack, BLE 4.2 via Arduino Stack)	Ethernet PHY	Ethernet PHY / Wi-Fi® / Bluetooth® Low Energy (BLE 5 via Cordio stack, BLE 4.2 via Arduino Stack)
Memory	8 MB / 16 MB	8 MB / 16 MB	8 MB / 16 MB
Power	Li-Po Single Cell 3.7V, 700mAh Minimum	Li-Po Single Cell 3.7V, 700mAh Minimum	Li-Po Single Cell 3.7V, 700mAh Minimum

## CONTENTS

<b>1 Features</b>	<b>4</b>
<b>2 Ratings</b>	<b>9</b>
2.1 Recommended Operating Conditions	9
2.2 Power Consumption	9
2.3 Block Diagram	9
<b>3 Connector Pinouts</b>	<b>10</b>
3.1 USB-C	10
3.2 High Density Connector	10
3.3 Wake Up Signals/External Relay Commands	12
<b>4 Application Examples</b>	<b>13</b>
4.1 Accessories	13
<b>5 Functional Overview</b>	<b>13</b>
5.1 Board Topology	13
5.2 Power Tree	14
<b>6 Mechanical Information</b>	<b>15</b>
6.1 Board Outline	15
6.2 Mounting Holes	15
6.3 Connector Positions	16
<b>7 Certifications</b>	<b>17</b>
7.1 Declaration of Conformity CE DoC (EU)	18
7.2 Declaration of Conformity to EU RoHS & REACH 211 01/19/2021	18
7.3 Conflict Minerals Declaration	19
<b>8 FCC Caution</b>	<b>19</b>
<b>9 Company Information</b>	<b>20</b>
<b>10 Reference Documentation</b>	<b>20</b>
<b>11 Revision History</b>	<b>20</b>

## 1 Features

Component	Details		Supported boards
ST STM32H747XI Processor	Dual Core	Arm® Cortex®-M7 core at up to 480 MHz with double-precision FPU and 16K data + 16K instruction L1 cache  Arm® 32-bit Cortex®-M4 core at up to 240 MHz with FPU, Adaptive real-time accelerator (ART Accelerator™)	All
	Flash Memory	2Mbytes of Flash Memory with read-while-write support  1 Mbyte of RAM	
	Dual mode Quad-SPI memory interface running up to 133 MHz		
	CRC calculation unit		
	Security		
	ROP, PC-ROP, active tamper		
	3 separate power domains. Possible to be independently clock gated or switched off.	D1: high performance capabilities  D2: communication peripherals and timers  D3: reset/clock control/power management	
	Voltage scaling in Run and Stop mode 6 configurable ranges		
	4 DMA controllers to unload the CPU		
	1x high-speed master direct memory access controller (MDMA) With linked list support		
	2x Dual-port DMA with FIFO		
	1x basic DMA with request router capabilities		

Component	Details		Supported boards
	Up to 35 communication peripherals	4× I2Cs FM+ interfaces (SMBus/PMBus) 4× USARTs/4x UARTs (ISO7816 interface, LIN, IrDA, up to 12.5 Mbit/s) and 1x LPUART 6× SPIs, 3 with muxed duplex I2S audio class accuracy via internal audio PLL or external clock, 1x I2S in LP domain (up to 150 MHz) 4x SAIs (serial audio interface) SPDIFRX interface SWPMI single-wire protocol master I/F MDIO Slave interface 2× SD/SDIO/MMC interfaces (up to 125 MHz) 2× CAN controllers: 2 with CAN FD, 1 with time-triggered CAN (TT-CAN) 2× USB OTG interfaces (1FS, 1HS/FS) crystal-less solution with LPM and BCD Ethernet MAC interface with DMA controller	
	8-bit camera interface (up to 80 MHz)		
	11 analog peripherals		
	3x ADCs with 16-bit max. resolution (up to 36 channels, up to 3,6 MSPS)		
	1x temperature sensor		
	2x 12-bit D/A converters (1 MHz)		
	2x ultra-low power comparators		
	2x operational amplifiers (7.3 MHz bandwidth)		
	1x digital filters for sigma delta modulator (DFSDM) with 8 channel/4 filters		

Component	Details		Supported boards
	Graphics		
	Chrom.ART graphical hardware Accelerator™ (DMA2D) to reduce CPU load		
	Hardware JPEG Codec		
	Up to 22 timers and watchdogs		
	1x high-resolution timer (2.1 ns max resolution)		
	2x 32-bit timers with up to 4 IC/OC/PWM or pulse counter and quadrature (incremental) encoder input (up to 240 MHz)		
	2x 16-bit advanced motor control timers (up to 240 MHz)		
	10x 16-bit general-purpose timers (up to 240 MHz)		
	5x 16-bit low-power timers (up to 240 MHz)		
	4x watchdogs (independent and window)		
	2x SysTick timers		
	RTC with sub-second accuracy and hardware calendar		
	True random number generators (3 oscillators each)		
	96-bit unique ID		
External memories	SDRAM (optional)	Up to 64 MByte	
	QSPI Flash (optional)	Up to 128 MByte	
USB-C	High speed (optional/FULL Speed USB)		
	Host and Device operation		
	Power Delivery support (optional)		
	DisplayPort		
High Density connectors	1x10/100 Ethernet with PHY		H7 full All
	1x CAN		
	4x UART (2 with flow control)		
	3x I2C		

Component	Details		Supported boards	
	1x SD Card			
	1x SPI			
	1x I2S			
	1x PDM input			
	2 lane MIPI DSI output			
	8 bit parallel camera interface			
	10x PWM output			
	7x GPIO			
	8x ADC inputs with separate VREF			
ATECC608 Microchip Crypto (optional)	Protected storage for up to 16 Keys, certificates or data			
	Hardware support for asymmetric sign, verify, key agreement – ECDSA: FIPS186-3 Elliptic Curve Digital Signature			
	ECDH: FIPS SP800-56A Elliptic Curve Diffie-Hellman			
	NIST standard P256 elliptic curve support			
	Hardware support for symmetric algorithms			
	SHA-256 & HMAC hash including off-chip context save/restore			
	AES-128: encrypt/decrypt, galois field multiply for GCM			
	Networking key management support			
	Turnkey PRF/HKDF calculation for TLS 1.2 & 1.3			
	Ephemeral key generation and key agreement in SRAM – Small message encryption with keys entirely protected			
	Secure boot support			
	Full ECDSA code signature validation, optional stored digest/signature – optional communication key disablement prior to secure boot			

Component	Details		Supported boards
	Internal high-quality FIPS 800-90 A/B/C Random Number Generator (RNG)		
	Two high-endurance monotonic counters		
	Guaranteed unique 72-bit serial number		
SE050 Secure element	Ready-to-use IoT secure element solution		H7 full
MKR compatible header	7x PWM channels		All
	7x ADC channels		
	1x SPI		
	1x UART		
	1x I2C		
ESLOV Connector	I2C port with automatic device enumeration		
NXP PF1550 Programmable PMIC	Dynamic voltage scaling		
	Programmable independent 1A voltage output to carrier board		
	Programmable I/O voltage		
	Integrated Li-Po/Li-Ion Battery charger		



## 2 Ratings

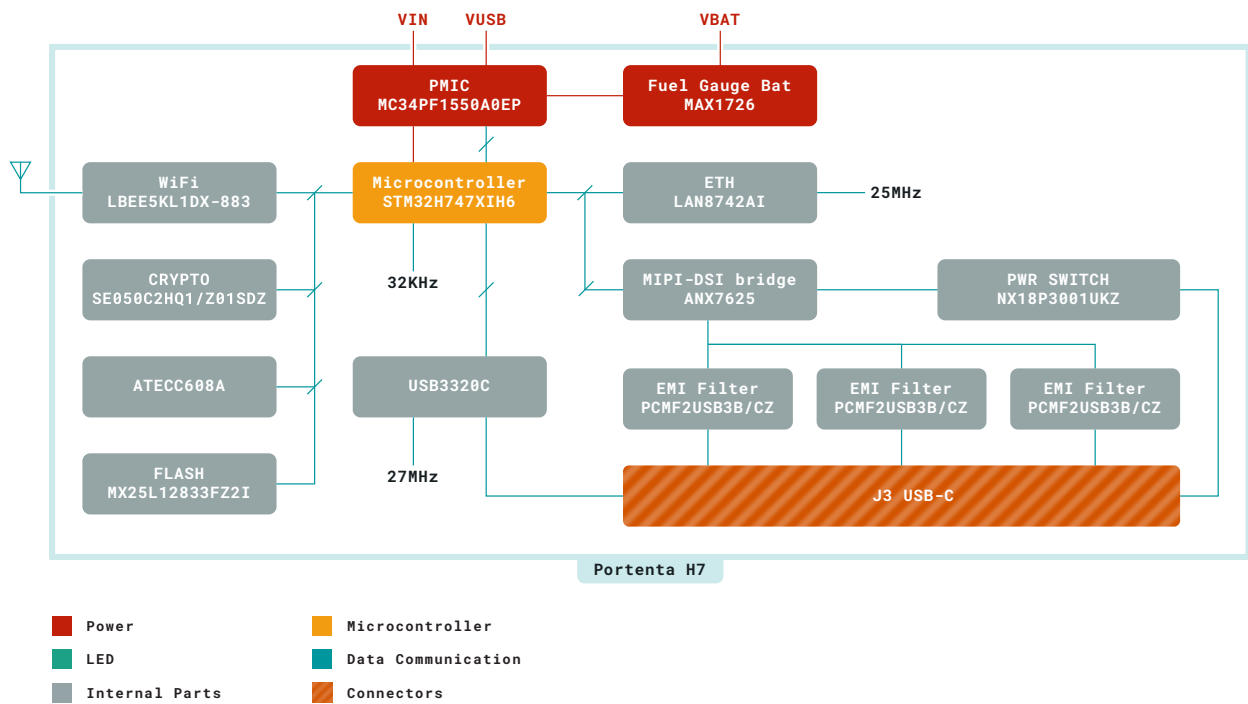
### 2.1 Recommended Operating Conditions

Symbol	Description	Min	Max
	Conservative thermal limits for the whole board:	-40 °C (-40 °F)	85 °C (185 °F)

### 2.2 Power Consumption

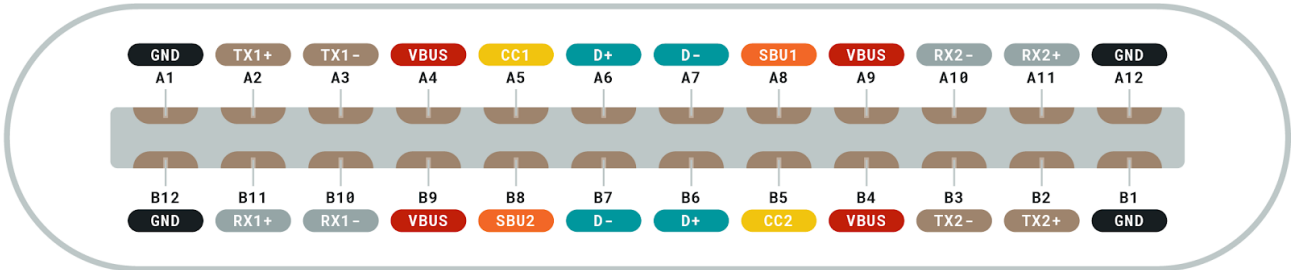
Symbol	Description	Min	Typ	Max	Unit
VINMax	Maximum input voltage from VIN pad	-0.3	-	xx	V
VUSBMax	Maximum input voltage from USB connector	-0.3	-	xx	V
PMax	Maximum Power Consumption	-xx	-	xx	mW

### 2.3 Block Diagram



Block diagram

### 3 Connector Pinouts



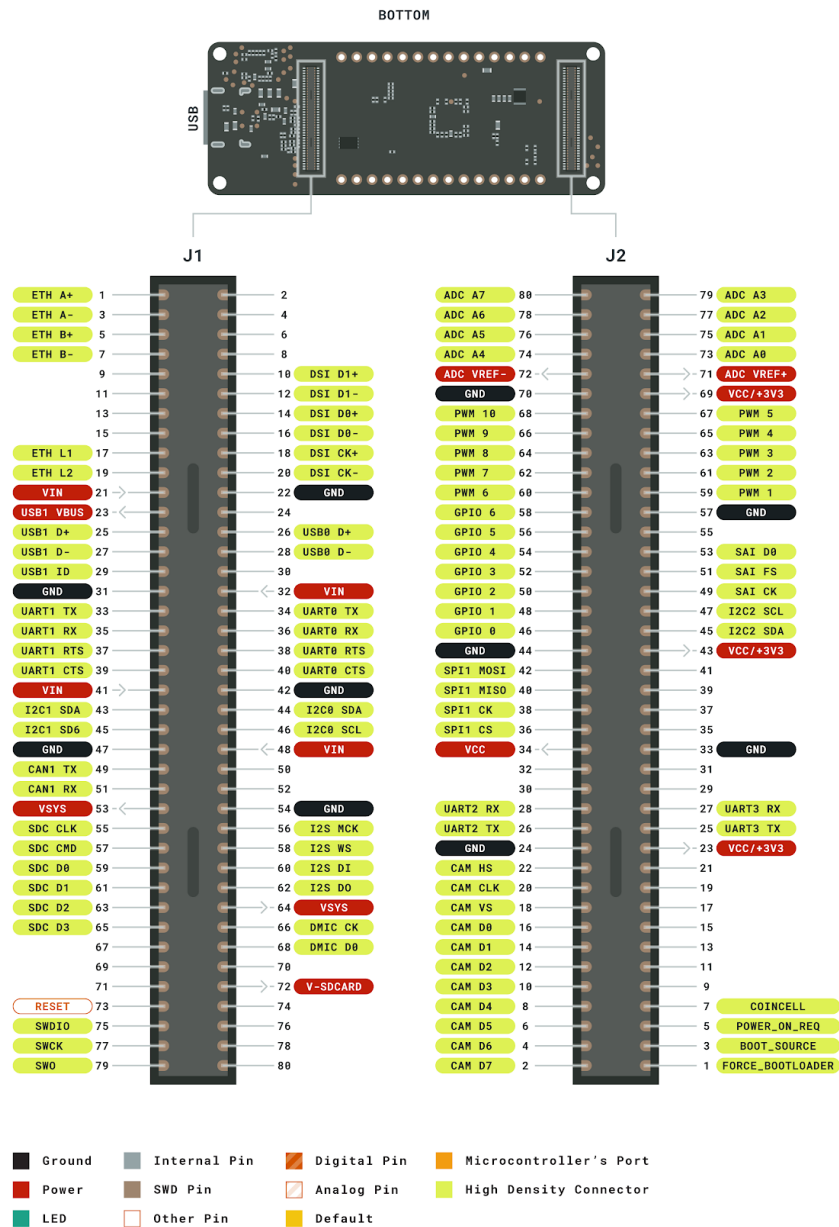
- Cable ground
- Cable bus power
- USB 2.0 Interface
- High speed data path (TX for USB, or RX for DP Alt Mode)
- High speed data path (RX for USB, or TX for DP Alt Mode)
- For sideband use (Not used for USB)
- Plug configuration detection
  - One becomes VCONN, for cable or adaptor power
  - CC is used for USB-PD communication

USB-C Pinout

#### 3.1 USB-C

Pin	Description	Pin	Description
GND	Cable Ground	TX1 +/- TX2 +/-	High speed data path (TX for USB, or RX for DP Alt Mode)
VBUS	Cable bus power	RX1 +/- RX2 +/-	High speed data path (TX for USB, or RX for DP Alt Mode)
D+/D-	USB 2.0 Interface	SBU1 SBU2	For sideband use (Not used for USB)
CC1 CC2	Plug configuration detection * One becomes VCONN for cable or adaptor power * CC is used for USB-PD communication		

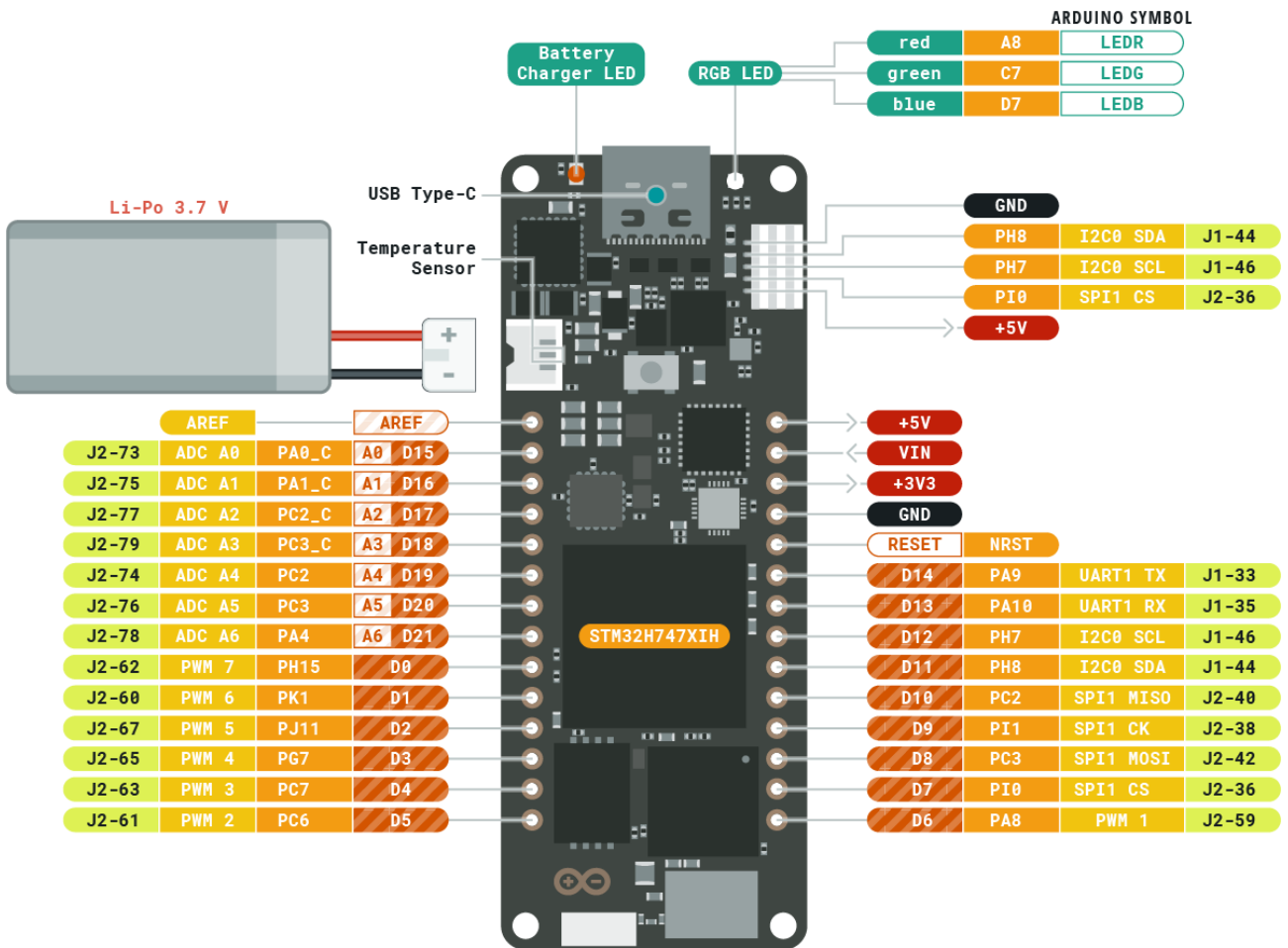
#### 3.2 High Density Connector



Pin	Description	Pin	Description
ETH	High Density Connector	CAN	High Density Connector
USB	High Density Connector	DSI	High Density Connector
CAM	High Density Connector	DMIC	High Density Connector
I2C0 I2C1 I2C2I2S	High Density Connector	VSYS VIN V-SDCARDVCC VBUS USB ADC-VREF	Power
GND	Ground	PWM	High Density Connector

Pin	Description	Pin	Description
GPIO	High Density Connector	SPI1	High Density Connector
SWDIOSWCK SWO	High Density Connector	ADC	High Density Connector
SDC	High Density Connector	RESET	Other Pin

### 3.3 Wake Up Signals/External Relay Commands



Ground	Internal Pin	Digital Pin	Microcontroller's Port
Power	SWD Pin	Analog Pin	High Density Connector
LED	Other Pin	Default	

MKR format Headers pinout

## 4 Application Examples

Due to the dual core processing, the Portenta supports a wide array of applications.

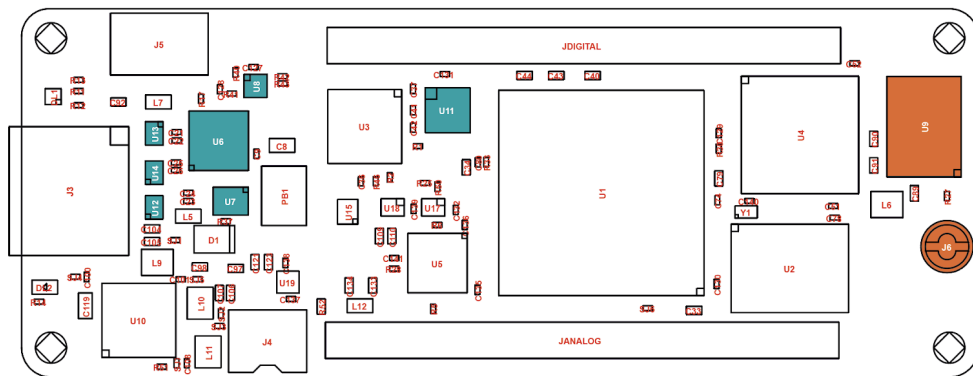
### 4.1 Accessories

- Portenta Vision shield
- USB 2.0 Cable Type A/B
- Portenta Breakout Board

## 5 Functional Overview

### 5.1 Board Topology

Depending on the variant, some of the components does not apply. The image below originates from the H7 form factor, see what components are applied on your board:



Only with Portenta H7



Only with Portenta H7 and Portenta H7 Lite Connected

Board Topology

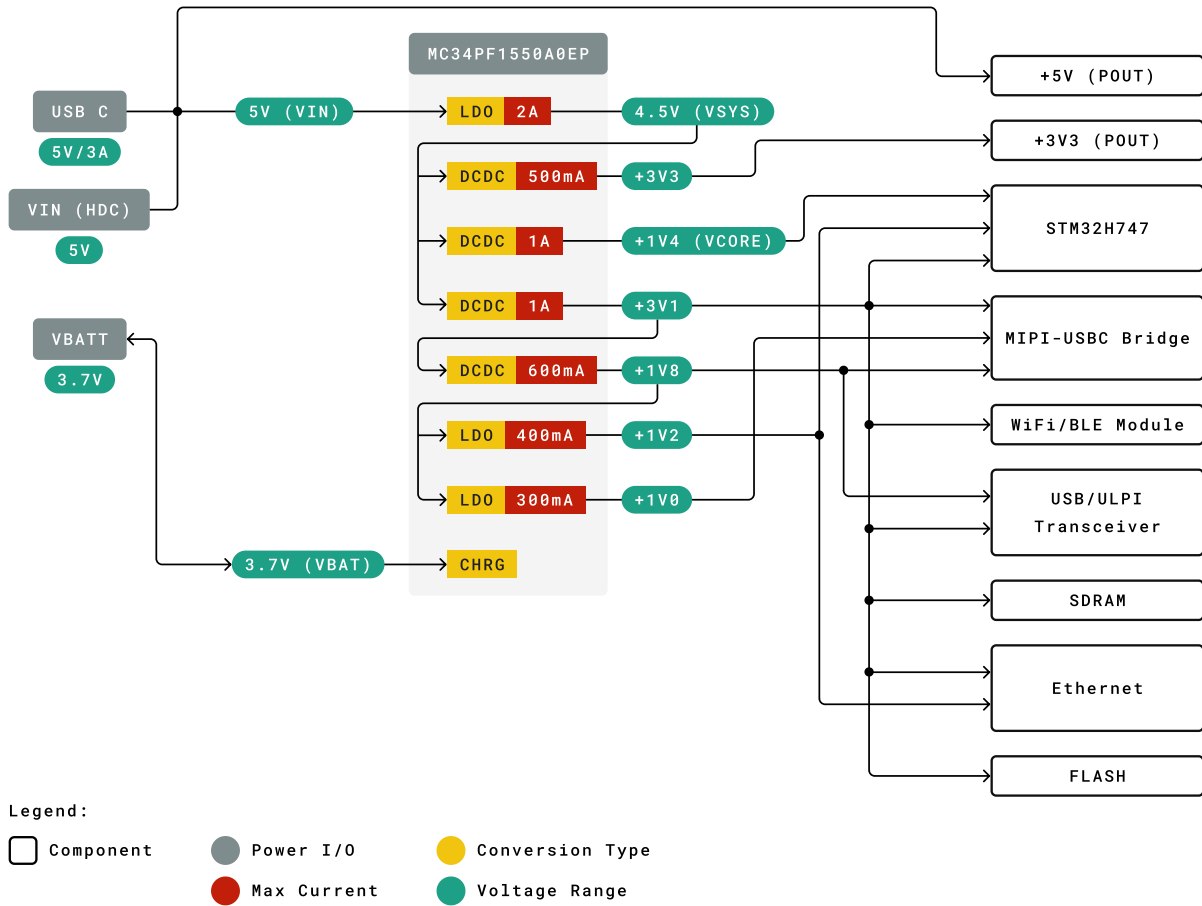
Ref.	Description	Ref.	Description
U1	Main processor	U10	Power Manager
U2	QSPI Flash Memory	U11	Crypto Chip (NXP)*
U3	USB HS PHY	U12, U13, U14	ESD protection*
U4	SDRAM	U16	Crypto Chip (Microchip)
U5	Ethernet PHY	J1, J2	High Density Connectors
U6	MIPI to USB-C/DisplayPort converter*	ANT1	Antenna or U.FL Connector**
U7	Level Shifter*	JANALOG JDIGITAL	MKR Compatible headers
U8	I2C level shifter*	J4	Battery Connector

Ref.	Description	Ref.	Description
U9	Wifi/BT Module**	J5	ESLOV Connector

\* = Only with Portenta H7

\*\* = Only with Portenta H7 and Portenta H7 Lite Connected

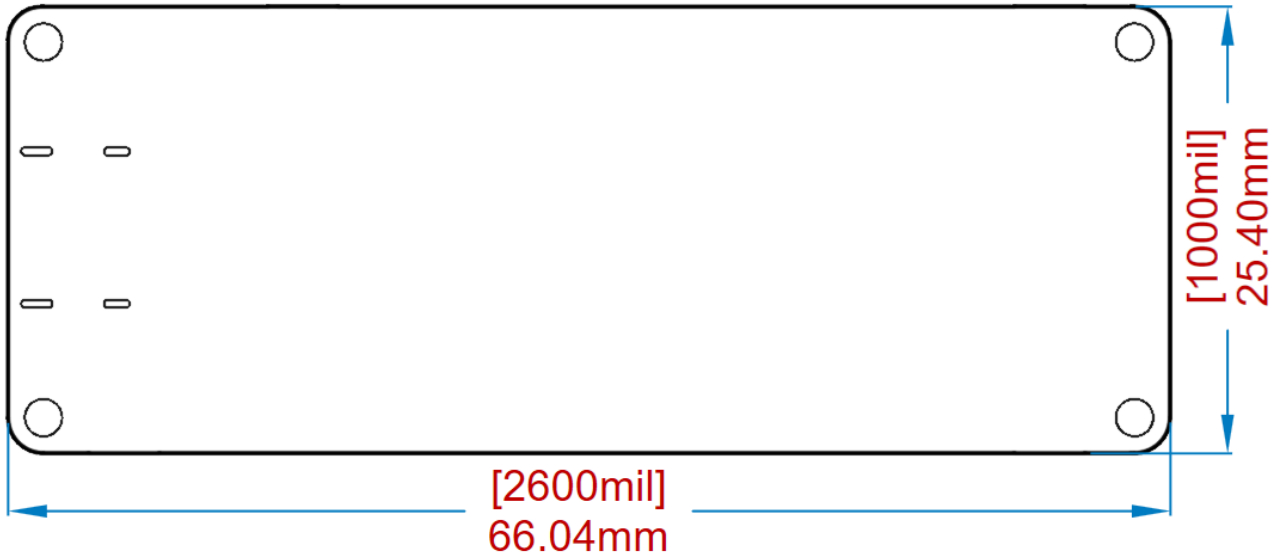
### 5.2 Power Tree



Portenta H7 Power Tree

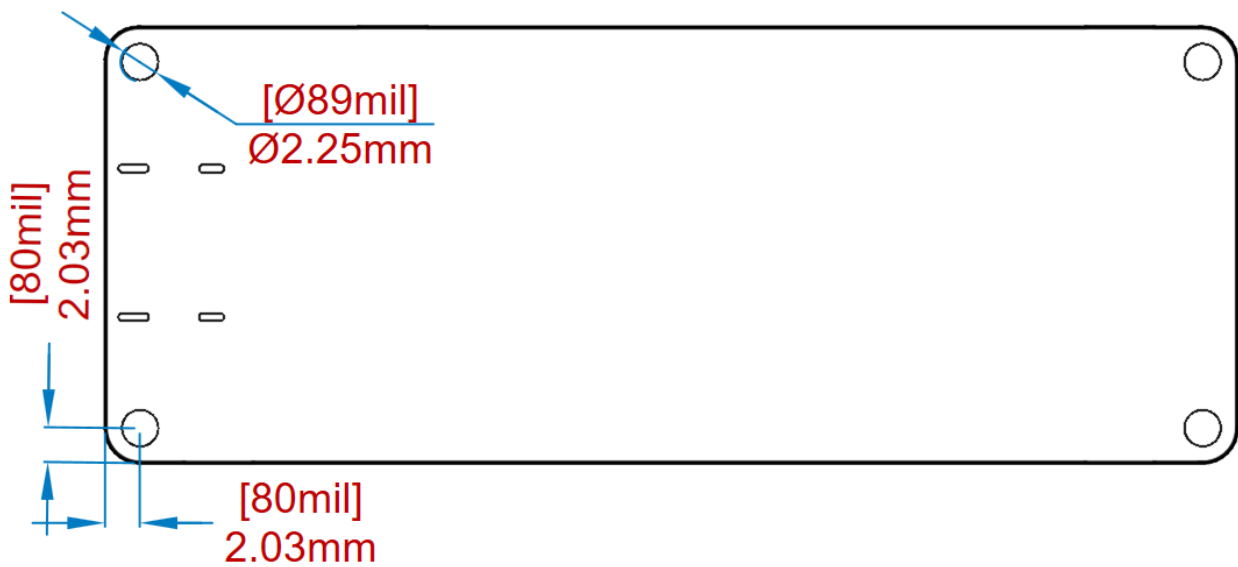
## 6 Mechanical Information

### 6.1 Board Outline



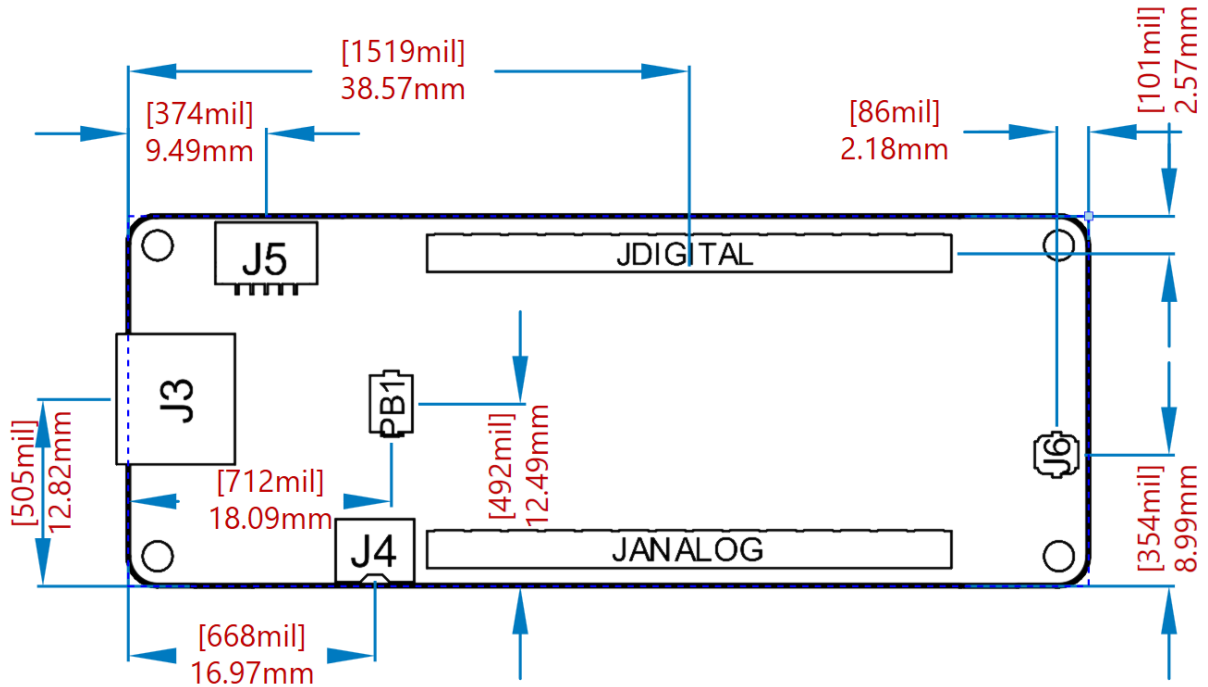
Board outline

### 6.2 Mounting Holes

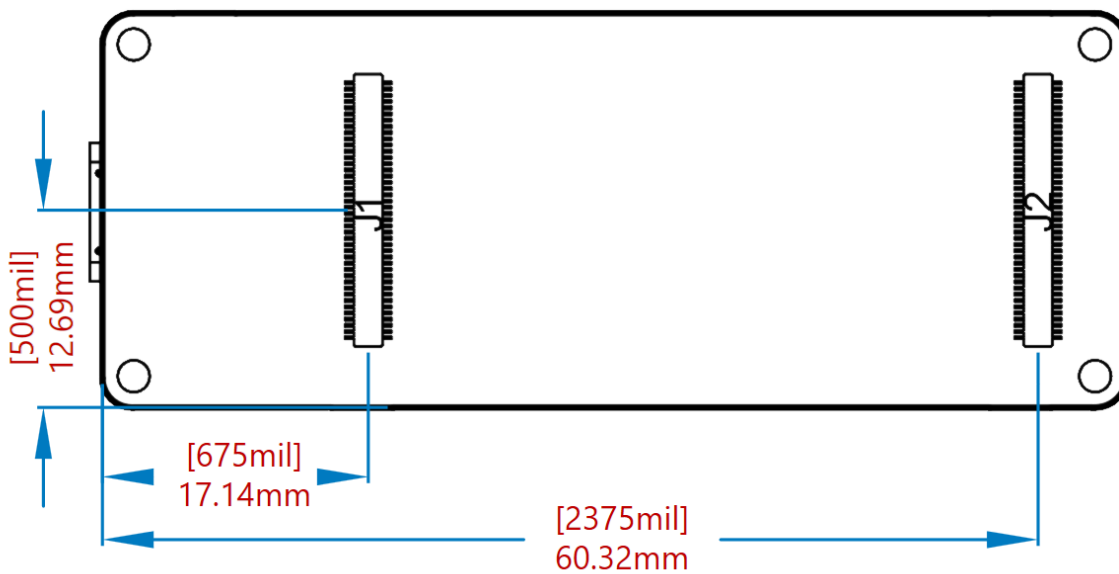


Mounting outline

6.3 Connector Positions



Connectors positions top



Connectors positions bottom



## 7 Certifications

Cert	H7	H7 Lite	H7 Lite Connected
<b>CE (EU)</b>	EN 301489-1, EN 301489-17, EN 300328, EN 62368-1, EN 62311	EN55032, EN 55035, EN 62368-1	EN 301489-1, EN 301489-17, EN 300328, EN 62368-1, EN 62311
<b>WEEE (EU)</b>	Yes	Yes	Yes
<b>RoHS (EU)</b>	2011/65/(EU) 2015/863/(EU)	2011/65/(EU) 2015/863/(EU)	2011/65/(EU) 2015/863/(EU)
<b>REACH (EU)</b>	Yes	Yes	Yes
<b>UKCA (UK)</b>	Yes	Yes	Yes
<b>RCM (RCM)</b>	Yes	Yes	Yes
<b>FCC (US)</b>	<b>ID.</b> Radio: Part 15-247 MPE: Part 2. 1091	<b>SDoC.</b> 47 CFR FCC Part 15 Subpart B	<b>ID.</b> Radio: Part 15-247 MPE: Part 2. 1091
<b>IC (CA)</b>	<b>ID.</b> Radio: RSS-247 MPE: RSS-102	X	X
<b>RCM (AU)</b>	Yes	Yes	Yes
<b>SRRC (China) NO</b>	X	X	X
<b>MIC (Japan)</b>	Article 2, Paragraph 1, Item 19	X	X

### 7.1 Declaration of Conformity CE DoC (EU)

We declare under our sole responsibility that the products above are in conformity with the essential requirements of the following EU Directives and therefore qualify for free movement within markets comprising the European Union (EU) and European Economic Area (EEA).

### 7.2 Declaration of Conformity to EU RoHS & REACH 211 01/19/2021

Arduino boards are in compliance with RoHS 2 Directive 2011/65/EU of the European Parliament and RoHS 3 Directive 2015/863/EU of the Council of 4 June 2015 on the restriction of the use of certain hazardous substances in electrical and electronic equipment.

Substance	Maximum limit (ppm)
Lead (Pb)	1000
Cadmium (Cd)	100
Mercury (Hg)	1000
Hexavalent Chromium (Cr6+)	1000
Poly Brominated Biphenyls (PBB)	1000
Poly Brominated Diphenyl ethers (PBDE)	1000
Bis(2-Ethylhexyl} phthalate (DEHP)	1000
Benzyl butyl phthalate (BBP)	1000
Dibutyl phthalate (DBP)	1000
Diisobutyl phthalate (DIBP)	1000

Exemptions : No exemptions are claimed.

Arduino Boards are fully compliant with the related requirements of European Union Regulation (EC) 1907 /2006 concerning the Registration, Evaluation, Authorization and Restriction of Chemicals (REACH). We declare none of the SVHCs (<https://echa.europa.eu/web/guest/candidate-list-table>), the Candidate List of Substances of Very High Concern for authorization currently released by ECHA, is present in all products (and also package) in quantities totaling in a concentration equal or above 0.1%. To the best of our knowledge, we also declare that our products do not contain any of the substances listed on the "Authorization List" (Annex XIV of the REACH regulations) and Substances of Very High Concern (SVHC) in any significant amounts as specified by the Annex XVII of Candidate list published by ECHA (European Chemical Agency) 1907 /2006/EC.

### 7.3 Conflict Minerals Declaration

As a global supplier of electronic and electrical components, Arduino is aware of our obligations with regards to laws and regulations regarding Conflict Minerals, specifically the Dodd-Frank Wall Street Reform and Consumer Protection Act, Section 1502. Arduino does not directly source or process conflict minerals such as Tin, Tantalum, Tungsten, or Gold. Conflict minerals are contained in our products in the form of solder, or as a component in metal alloys. As part of our reasonable due diligence Arduino has contacted component suppliers within our supply chain to verify their continued compliance with the regulations. Based on the information received thus far we declare that our products contain Conflict Minerals sourced from conflict-free areas.

## 8 FCC Caution

Any Changes or modifications not expressly approved by the party responsible for compliance could void the user's authority to operate the equipment.

This device complies with part 15 of the FCC Rules. Operation is subject to the following two conditions:

- (1) This device may not cause harmful interference
- (2) this device must accept any interference received, including interference that may cause undesired operation.

#### **FCC RF Radiation Exposure Statement:**

1. This Transmitter must not be co-located or operating in conjunction with any other antenna or transmitter.
2. This equipment complies with RF radiation exposure limits set forth for an uncontrolled environment.
3. This equipment should be installed and operated with minimum distance 20cm between the radiator & your body.

English: User manuals for licence-exempt radio apparatus shall contain the following or equivalent notice in a conspicuous location in the user manual or alternatively on the device or both. This device complies with Industry Canada licence-exempt RSS standard(s). Operation is subject to the following two conditions:

- (1) this device may not cause interference
- (2) this device must accept any interference, including interference that may cause undesired operation of the device.

French: Le présent appareil est conforme aux CNR d'Industrie Canada applicables aux appareils radio exempts de licence. L'exploitation est autorisée aux deux conditions suivantes :

- (1) l'appareil n' doit pas produire de brouillage
- (2) l'utilisateur de l'appareil doit accepter tout brouillage radioélectrique subi, même si le brouillage est susceptible d'en compromettre le fonctionnement.

#### **IC SAR Warning:**

English This equipment should be installed and operated with minimum distance 20 cm between the radiator and your body.

French: Lors de l' installation et de l' exploitation de ce dispositif, la distance entre le radiateur et le corps est d' au moins 20 cm.

**Important:** The operating temperature of the EUT can't exceed 85°C and shouldn't be lower than -40°C.

Hereby, Arduino S.r.l. declares that this product is in compliance with essential requirements and other relevant provisions of Directive 2014/53/EU. This product is allowed to be used in all EU member states.

Frequency bands	Maximum output power (ERP)
863-870Mhz	-3.22dBm

## 9 Company Information

Company name	Arduino SRL
Company Address	Via Andrea Appiani 25 - 20900 Monza (MB)

## 10 Reference Documentation

Reference	Link
Arduino IDE (Desktop)	<a href="https://www.arduino.cc/en/Main/Software">https://www.arduino.cc/en/Main/Software</a>

## 11 Revision History

Date	Revision	Changes
27/12/2021	1	First Release

## X-ON Electronics

Largest Supplier of Electrical and Electronic Components

*Click to view similar products for [Development Boards & Kits - ARM category](#):*

*Click to view products by [Arduino manufacturer](#):*

Other Similar products are found below :

[SAFETI-HSK-RM48](#) [CC-ACC-MMK-2443](#) [TWR-MC-FRDMKE02Z](#) [EVALSPEAR320CPU](#) [TMDX570LS04HDK](#) [TXSD-SV70](#) [EVAL-ADUC7120QSPZ](#) [OM13082UL](#) [TXSD-SV71](#) [YGRPEACHNORMAL](#) [OM13076UL](#) [PICODWARFFL](#) [3580](#) [EAK00360](#)  
[YR0K77210B000BE](#) [E104-BT5032A-TB](#) [TG-01M-KIT](#) [NODEMCU\(12F\)](#) [NODEMCU-32-\(ESP-32S\)](#) [NODEMCU\(12S-8285-2M\)](#) [TB-04-KIT](#) [TB-03F-KIT](#) [BW16-KIT](#) [BW15-KIT](#) [TG-12F-KIT](#) [SLN-VIZN-IOT](#) [RT8498GE](#) [HLK-W806-KIT](#) [HLK-W801-KIT](#) [LV18F V6](#)  
[DEVELOPMENT SYSTEM](#) [READY FOR AVR BOARD](#) [READY FOR PIC BOARD](#) [READY FOR PIC \(DIP28\)](#) [EVB-VF522R3](#)  
[AVRPLC16 V6 PLC SYSTEM](#) [MIKROLAB FOR AVR XL](#) [MIKROLAB FOR PIC L](#) [MINI-AT BOARD - 5V](#) [MINI-M4 FOR STELLARIS](#)  
[MOD-09.Z](#) [LETS MAKE PROJECT PROGRAM. RELAY PIC](#) [LPC-H2294](#) [DSPIC-READY2 BOARD](#) [DSPIC-READY3 BOARD](#)  
[MIKROBOARD FOR ARM 64-PIN](#) [MIKROLAB FOR AVR L](#) [MIKROLAB FOR DSPIC](#) [MIKROLAB FOR DSPIC XL](#) [MIKROLAB FOR PIC32](#) [MIKROLAB FOR TIVA](#)