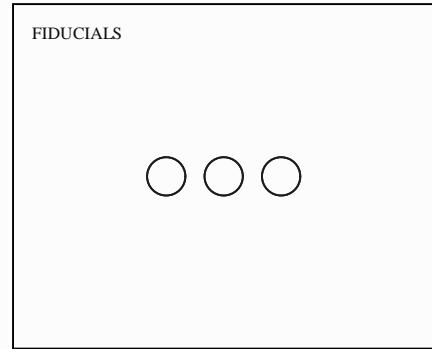
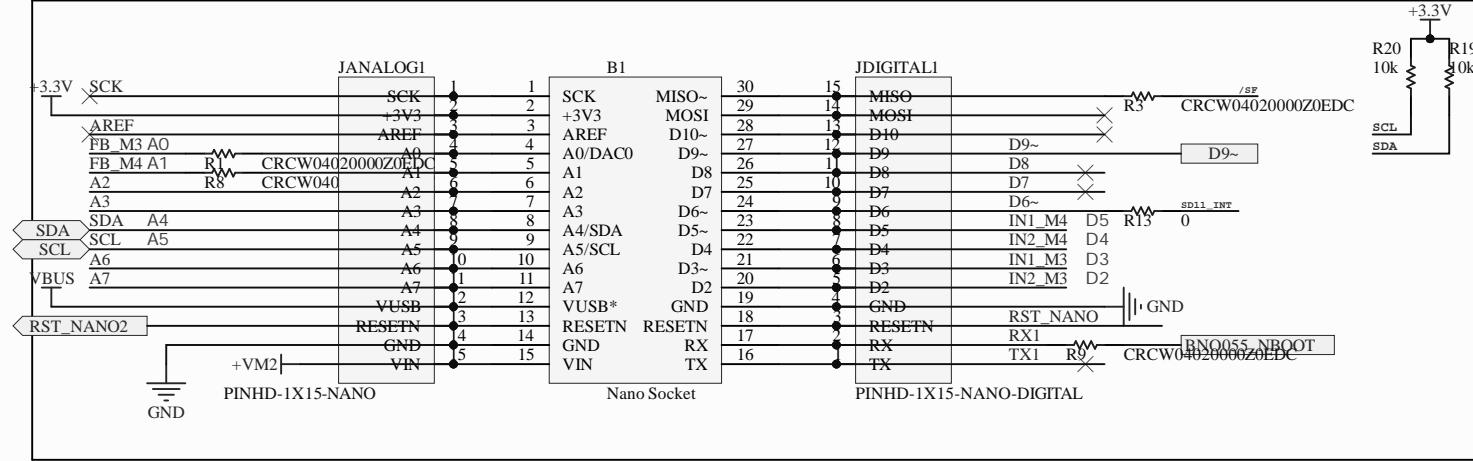
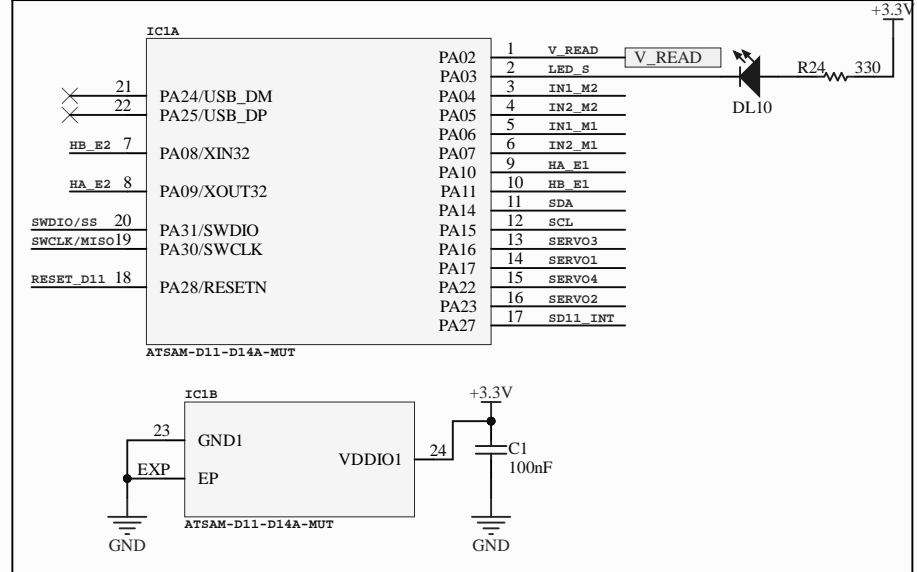


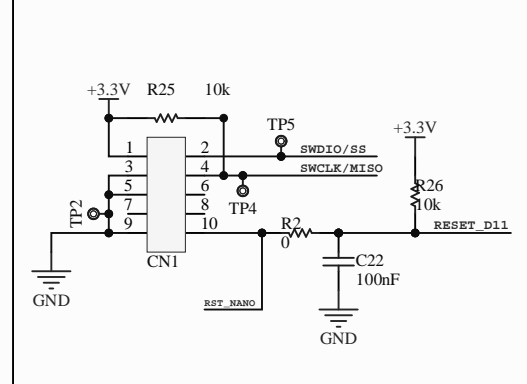
NANO-CARRIER CONNECTIONS



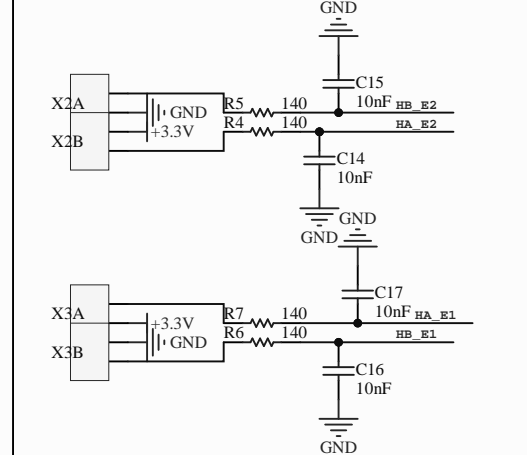
ATSAMD11



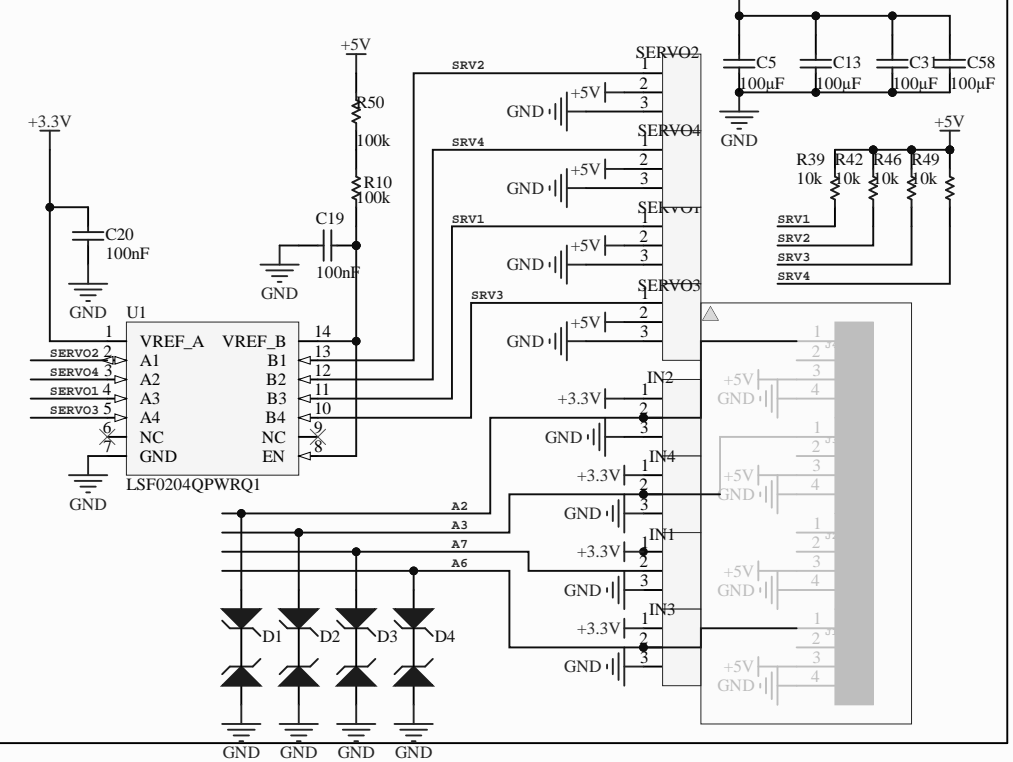
D11: PROGRAMMING



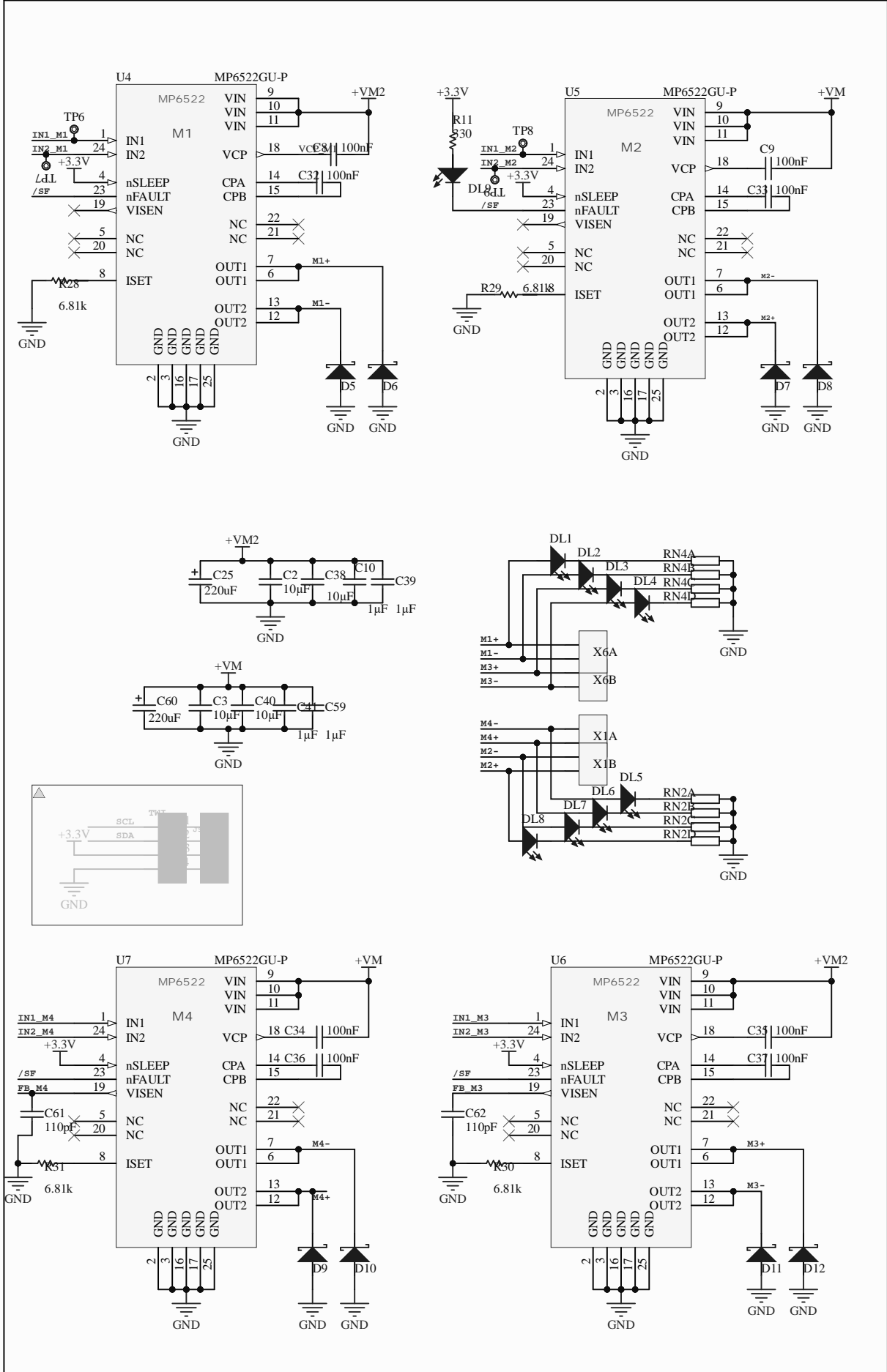
D11: ENCODER INPUTS



SERVO AND ANALOG PINS VOLTAGE TRANSLATION

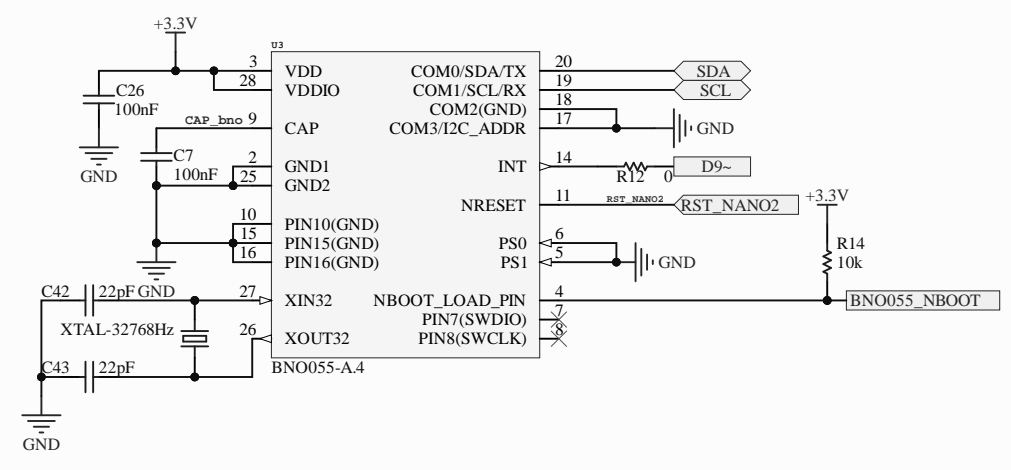


MOTOR DRIVERS: M1-M2-M3-M4



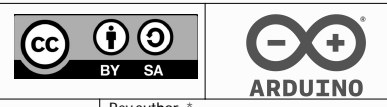
Reference Designs ARE PROVIDED "AS IS" AND "WITH ALL FAULTS. Arduino SA DISCLAIMS ALL OTHER WARRANTIES, EXPRESS OR IMPLIED, REGARDING PRODUCTS, INCLUDING BUT NOT LIMITED TO, ANY IMPLIED WARRANTIES OF MERCHANTABILITY OR FITNESS FOR A PARTICULAR PURPOSE.
 Arduino SA may make changes to specifications and product descriptions at any time, without notice. The Customer must not rely on the absence or characteristics of any features or instructions marked "reserved" or "undefined".
 Arduino SA reserves these for future definition and shall have no responsibility whatsoever for conflicts or incompatibilities arising from future changes to them. The product information on the Web Site or Materials is subject to change without notice.
 Do not finalize a design with this info. ARDUINO and other Arduino brands and logos and Trademarks of Arduino SA. All Arduino SA Trademarks cannot be used without owner's formal permission.

Title NANOMotorCarrierV0.1.PrjPcb				
Size:	Number:	Revision: *		
Date: 11/16/2020	Time: 9:00:31 AM	Sheet * of *		
File: NANOMotorCarrierV0.1_DRVSchDoc	Author: * E.Lopez	Rev author: *		



Reference Designs ARE PROVIDED "AS IS" AND "WITH ALL FAULTS. Arduino SA DISCLAIMS ALL OTHER WARRANTIES, EXPRESS OR IMPLIED, REGARDING PRODUCTS, INCLUDING BUT NOT LIMITED TO, ANY IMPLIED WARRANTIES OF MERCHANTABILITY OR FITNESS FOR A PARTICULAR PURPOSE. Arduino SA may make changes to specifications and product descriptions at any time, without notice. The Customer must not rely on the absence or characteristics of any features or instructions marked "reserved" or "undefined". Arduino SA reserves these for future definition and shall have no responsibility whatsoever for conflicts or incompatibilities arising from future changes to them. The product information on the Web Site or Materials is subject to change without notice. Do not finalize a design with this info. ARDUINO and other Arduino brands and logos and Trademarks of Arduino SA. All Arduino SA Trademarks cannot be used without owner's formal permission.

Title *		Size:		Number: *		Revision: *	
Date: 11/16/2020	Time: 9:00:33 AM	Sheet * of *					
File: NANOMotorCarrierV0.1_IMU.SchDoc	Author *	Rev author *					



A

A

B

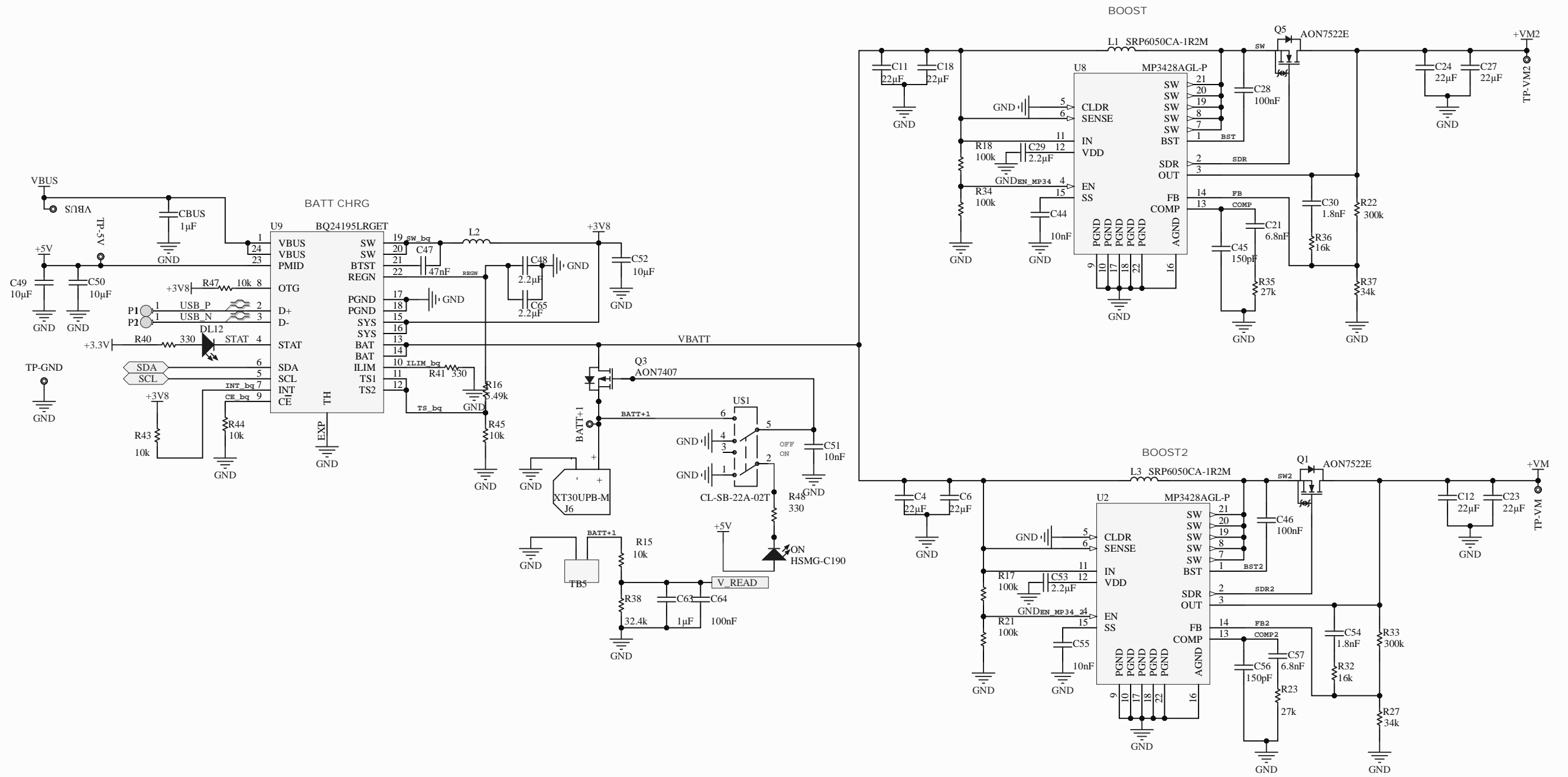
B

C

C

D

D



Reference Designs ARE PROVIDED "AS IS" AND "WITH ALL FAULTS". Arduino SA DISCLAIMS ALL OTHER WARRANTIES, EXPRESS OR IMPLIED, REGARDING PRODUCTS, INCLUDING BUT NOT LIMITED TO, ANY IMPLIED WARRANTIES OF MERCHANTABILITY OR FITNESS FOR A PARTICULAR PURPOSE.
 Arduino SA may make changes to specifications and product descriptions at any time, without notice. The Customer must not rely on the absence or characteristics of any features or instructions marked "reserved" or "undefined".
 Arduino SA reserves these for future definition and shall have no responsibility whatsoever for conflicts or incompatibilities arising from future changes to them. The product information on the Web Site or Materials is subject to change without notice.
 Do not finalize a design with this info. ARDUINO and other Arduino brands and logos and Trademarks of Arduino SA. All Arduino SA Trademarks cannot be used without owner's formal permission.

Title NANOMotorCarrierV0.1.PrcjPcb				
Size:	Number:	Revision: *		
Date: 11/16/2020	Time: 9:00:35 AM	Sheet * of *		
File: NANOMotorCarrierV0.1_PWR.SchDoc	Author *	Rev author *		

X-ON Electronics

Largest Supplier of Electrical and Electronic Components

Click to view similar products for [Arduino manufacturer](#):

Other Similar products are found below :

[TINKERKIT MOSFET MODULE](#) [ARDUINO STARTER KIT - KOREAN AKX00015](#) [ARDUINO ESPLORA RETAIL](#) [TINKERKIT - PRO X000003](#) [ARDUINO STARTER KIT - CHINESE K010007](#) [K020007](#) [AKX00002SL](#) [ARDUINO MKR RGB T000030](#) [ARDUINO EDGE CONTROL T000190](#) [ARDUINO STARTER KIT SPANISH X000005](#) [K000007-6P](#) [BOX FOR ARDUINO YUN T010118](#) [T000070](#) [ARDUINO MKR ENV SHIELD REV2 T010116](#) [ARDUINO MICRO RETAIL](#) [TINKERKIT BLUE LED \[5MM\]](#) [TINY MACHINE LEARNING KIT](#) [SMALL DC MOTOR](#) [HOLDER TYPE UNO](#) [TINKERKIT BRACCIO \(US.EU.UK.AU PLUG\) B000003](#) [K110007](#) [ASX00011](#) [ARDUINO STARTER KIT GERMAN](#) [NICLA SENSE ME](#) [EXPLORE IOT KIT](#) [MKR2UNO ADAPTER](#) [ARDUINO MKR THERM SHIELD](#) [TINKERKIT THERMISTOR MODULE](#) [MKR RELAY PROTO SHIELD](#) [MKR IOT BUNDLE K120007](#) [ARDUINO STARTER KIT FRENCH](#) [MKR PROTOSHIELD L K040007](#) [OPLA IOT STARTER KIT](#) [ARDUINO PORTENTA BREAKOUT](#) [TINKERKIT HALL SENSOR](#) [ARDUINO 4 RELAYS SHIELD](#) [ARDUINO MKR VIDOR 4000](#) [ARDUINO ENGINEERING KIT REV2](#) [MKR WAN 1300 WITHOUT ANTENNA](#)