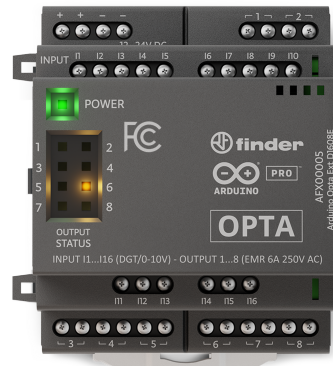


Product Reference Manual  
SKU: AFX00005-AFX00006



## Description

Arduino Opta® Digital Expansions are designed to multiply your Opta® micro PLC capabilities with the addition of 16 programmable inputs for connecting your digital sensors and 8 more relays to operate your machines. Designed in partnership with leading relay manufacturer FINDER®, it allows professionals to scale up industrial and building automation projects while taking advantage of the Arduino ecosystem.

The Arduino Opta® Digital Expansion comes in two variants: the Opta Ext D1608E (with Electromechanical Relays) and the Opta Ext D1608S (with Solid State Relays), both of them described in this document.

## Target Areas:

Industrial IoT, Building automation, Electrical loads management, Industrial automation

# CONTENTS

<b>1 Product Variants</b>	<b>4</b>
<b>2 Application Examples</b>	<b>4</b>
<b>3 Features</b>	<b>5</b>
3.1 General Specifications Overview	5
3.2 Inputs	5
3.2.1 Analog Inputs	5
3.2.2 Digital Inputs	6
3.3 Outputs (AFX00005 Only)	6
3.4 Outputs (AFX00006 Only)	7
<b>4 Ratings</b>	<b>7</b>
4.1 Recommended Operating Conditions	7
4.2 Power Specification (Ambient Temperature)	7
<b>5 Functional Overview</b>	<b>8</b>
5.1 Product View	8
5.2 Block Diagram	9
5.3 Relay Outputs	9
5.4 Expansion Port	10
<b>6 Device Operation</b>	<b>10</b>
6.1 Getting Started - IDE	10
6.2 Getting Started - Arduino Web Editor	10
6.3 Getting Started - Arduino PLC IDE	10
6.4 Getting Started - Arduino Cloud	11
6.5 Sample Sketches	11
6.6 Online Resources	11
<b>7 Mechanical Information</b>	<b>11</b>
7.1 Product Dimensions	11
<b>8 Certifications</b>	<b>12</b>
8.1 Certifications Summary	12
8.2 Declaration of Conformity CE DoC (EU)	12
8.3 Declaration of Conformity to EU RoHS & REACH 211 01/19/2021	12
8.4 Conflict Minerals Declaration	13
<b>9 FCC Caution</b>	<b>13</b>
<b>10 Company Information</b>	<b>14</b>

<b>11 Reference Documentation</b>	<b>14</b>
<b>12 Revision History</b>	<b>14</b>

## 1 Product Variants

There are two variants of the Arduino Opta® Digital Expansion created to fit the different needs of each industry and application. The difference between each of the variants can be found in the following table:

Name	Arduino Opta® Ext D1608E	Arduino Opta® Ext D1608S
SKU	AFX00005	AFX00006
Inputs	16 x programmable (0-24 V digital / 0-24 V analog)	16 x programmable (0-24 V digital / 0-24 V analog)
Outputs	8 x Electromechanical Relays (250 VAC - 6 A)	8 x Solid State Relays (24 VDC - 2 A)

## 2 Application Examples

Arduino Opta® Expansion is designed for industrial standard machinery control alongside the Opta® micro PLC. It is readily integrated into the Arduino hardware and software ecosystem.

- Automated Production Line:** Arduino Opta® can manage the overall flow of goods in manufacturing. For example, by integrating a load cell or a vision system, it can ensure each phase of a packing process is performed correctly, automatically discard faulty parts, ensure the appropriate amount of goods is present within each box and interact with production line printers, also adding timestamp information synchronized via Network Time Protocol (NTP).
- Real-time Monitoring in Manufacturing:** Production data can be visualized locally via an HMI or even by connecting to the Arduino Opta® via Bluetooth® Low Energy. The simplicity of Arduino Cloud allows to remotely display custom dashboards; this product is also compatible with other major Cloud providers.
- Automated Anomaly Detection:** Its computing power allows the Arduino Opta® to deploy Machine Learning algorithms that are capable to learn when a process is drifting from its usual behavior on the production line and activating/deactivating processes to prevent equipment damage.

## 3 Features

### 3.1 General Specifications Overview

Characteristics	Details
Supply Voltage	12...24 V
Antipolarity protection	Yes
Overvoltage protection	Yes (+20%)
Inputs	16x Digital (0-24 V) / Analog (0-24 V) inputs
Outputs	AFX00005: 8x Electromechanical Relays (250 VAC - 6 A), AFX00006: 8x Solid State Relays (24 VDC - 2 A)
Degree of Protection	IP20
Certifications	FCC, CE, UKCA

### 3.2 Inputs

Characteristics	Details
Number of inputs	16x Digital/Analog inputs
Inputs overvoltage protection	Yes (Up to 40 V)
Antipolarity protection	No
Input impedance	5.85 kΩ

#### 3.2.1 Analog Inputs

Characteristics	Details
Analog Input voltage	0...24 V
Analog Input resolution	14 bit
Analog Input LSB value	1.733 mV
Accuracy	+/- 5%, repeatability +/- 2%

### 3.2.2 Digital Inputs

Characteristics	Details
Digital Input voltage	0...24 V
Digital Input voltage logic level	VIL Max: 4 VDC. VHL Min: 5.9 VDC
Digital Input current	4.12 mA at 24 V, 2.05 mA at 10 V
Digital Input frequency	300 Hz

### 3.3 Outputs (AFX00005 Only)

Characteristics	Details
Number of outputs	8x Electromechanical Relays (NO - SPST)
Max current per relay	6 A
Max peak current per relay	10 A
Continuous current per terminal	6 A
Short-circuit protection	No, external fuse required
Relay rated voltage	250 VAC
Relay Max voltage	400 VAC
Rated load AC1	1500 VA
Rated load AC15 (230 VAC)	300 VA
Breaking capacity DC1: 24/110/220 V	6/0.2/0.12 A
Minimum switching load	500 mW (12 V/10 mA)
Max output line length (unshielded)	100 m
Relay response time from state 0 to state 1	5 ms for relay output
Relay response time from state 1 to state 0	3 ms for relay output
Bounce time NO	1 ms
Bounce time NC	6 ms
Relay mechanical durability	10 million cycles (DC)
Relay electrical durability	60 thousand cycles with a resistive load (AC1)

### 3.4 Outputs (AFX00006 Only)

Characteristics	Details
Number of outputs	8x Solid State Relays (NO - SPST)
Max current per relay	2 A
Max peak current per relay	50 A (10 ms)
Continuous current per terminal	2 A
Short-circuit protection	No, external fuse required
Relay rated voltage	24 VDC
Switching voltage range	1.5...30 VDC
Maximum blocking voltage	33 VDC
Rated load DC13	36 W
Minimum switching current	1 mA
Max "OFF-state" leakage current	0.001 mA
Max "OFF-state" voltage drop	0.4 V
Relay response time from state 0 to state 1	0.02 ms for relay output
Relay response time from state 1 to state 0	0.2 ms for relay output
Electrical life at rated load	> 10 million cycles

## 4 Ratings

### 4.1 Recommended Operating Conditions

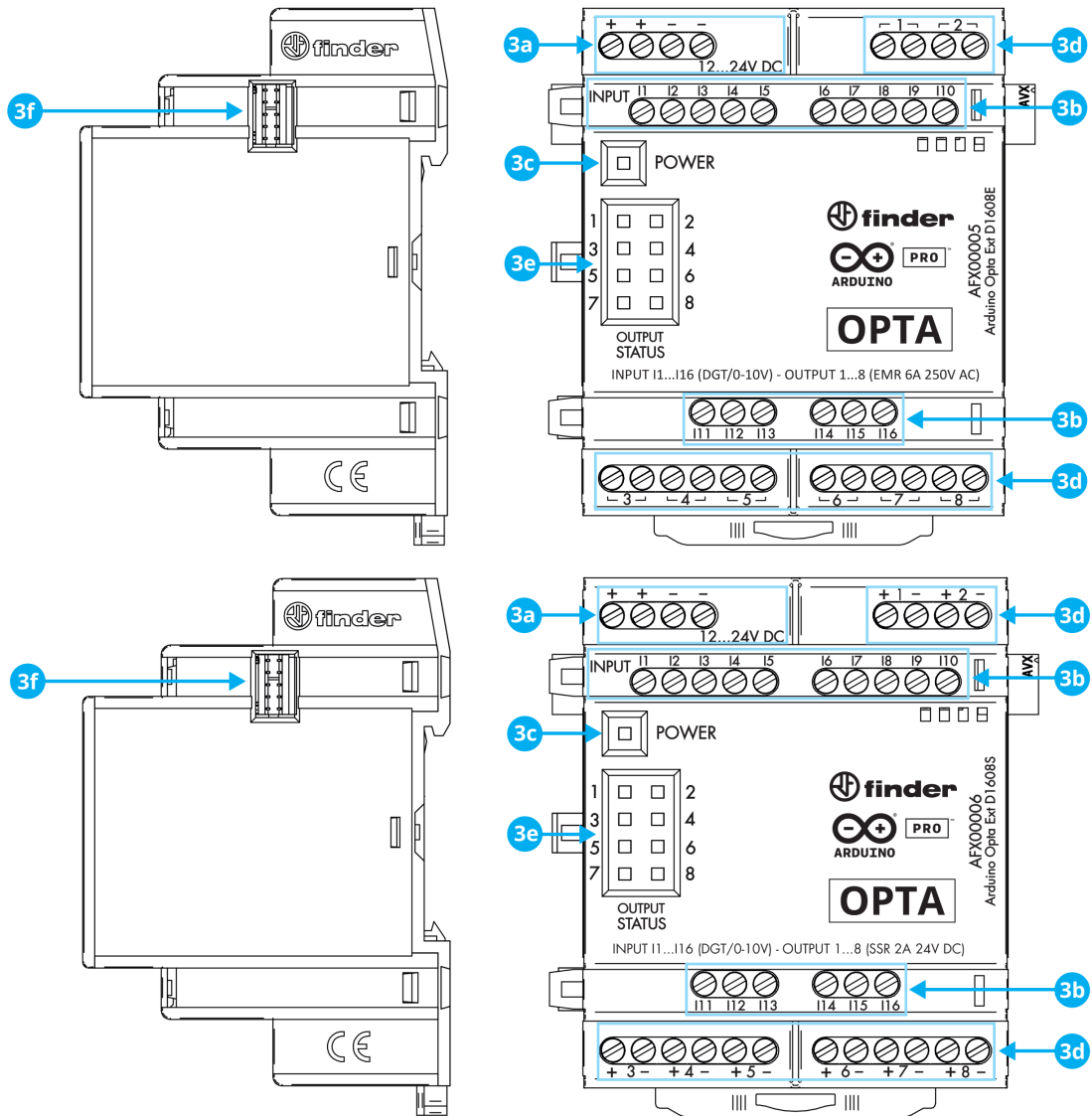
Description	Value
Temperature Operating Range	-20...50 °C
Protection degree rating	IP20
Pollution degree	2 conforming to IEC 61010

### 4.2 Power Specification (Ambient Temperature)

Property	Min	Typ	Max	Unit
Supply voltage	12	-	24	V
Permissible range	10.2	-	27.6	V
Power consumption (12V)	-	-	3	W
Power consumption (24V)	-	-	3	W

## 5 Functional Overview

### 5.1 Product View



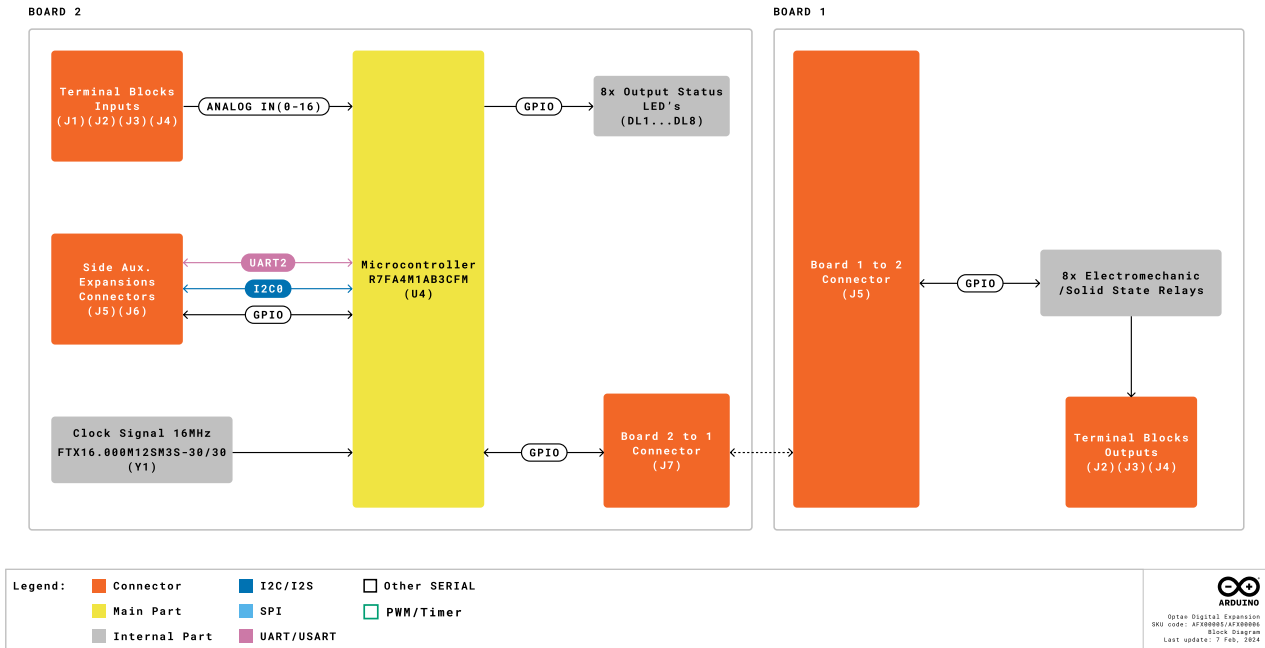
Arduino Opta® Expansion EMR and SSR variants

Item	Feature
3a	Power Supply Terminals 12...24 VDC
3b	I1...I16 digital/analog input terminals (0-24 V) configurable via IDE
3c	Power Status LED
3d	Relay Output Terminals 1...8, NO contact (SPST), EMR 6 A 250 VAC - SSR 2 A 24 VDC
3e	Status LEDs 1...8
3f	Port for communication and connection of auxiliary modules



### 5.2 Block Diagram

The following diagram explains the relation between the main components of the Opta® Digital Expansion:



Block diagram

### 5.3 Relay Outputs

Arduino Opta® Digital Expansions has eight *Normally Open* (NO) relays. For the **EMR** variant, eight powerful 6 A electromechanical relays capable of actuating on loads at a rated voltage of 250 VAC and up to a maximum switching voltage of 400 VAC, and for the **SSR** variant, eight fast 2 A solid state relays which are capable of actuating on DC loads at a rated voltage of 24 VDC.

The relay *Maximum Peak Current* is defined as the highest value of inrush current that the relay can endure without undergoing any permanent degradation of its characteristics due to the generated heat. The relay has to be able to hold up that maximum using a duty cycle of less or equal to 10% and for a time equal to or less than 0.5 s.

In the case of Arduino Opta® Digital Expansions, the EMR and SSR variants have a *Maximum Peak Current* of 10 A and 50 A respectively.

The *Rated Load* is the maximum resistive load that a contact can make, carry and break repeatedly.

- For resistive or slightly inductive loads (AC1 classification), **EMR variant's Rated Load** is 1500 VA.
- For small electromagnetic loads (> 72 VA) (AC15 classification) like power contactors, magnetic solenoid valves, electromagnets and AC single-phase supplies, **EMR variant's Rated Load** is 300 VA. This value assumes a peak inrush current of approximately 10 times the rated current and keeps it within the maximum peak current.

For controlling DC loads (DC1 classification), the **EMR variant's Breaking Capacity** or maximum value of DC resistive current that a contact can make, carry and break repeatedly, is 6/0.2/0.12 A for respectively 24/110/220 V.

For controlling DC electromagnetics loads (DC13 classification), the **SSR variant's Rated Load** is 36 W.

In the case of the minimum switching load parameters, the minimum values of power, voltage and current that the **EMR variant** relays can reliably switch, are 500 mW/ 12 V / 10 mA. This implies that with 12 V the current must be at least 42 mA, with 24 V, it must be at least 21 mA, and with 10 mA the voltage must be at least 50V.

For the **SSR variant**, the minimum switching voltage and current are 1.5 VDC and 1 mA respectively.

The **EMR variant** relays on Arduino Opta® Digital Expansions provide a very fast response time of 6/4 ms to change state for closing/reopening. The **SSR variant** provides an even faster response of 0.02/0.2 ms to change state for closing/reopening.

## 5.4 Expansion Port

The expansion port can be used to daisy-chain several Opta® Expansions and additional modules. To be accessed needs to be freed up from its breakable plastic cover and the connection plug added between each device.

# 6 Device Operation

## 6.1 Getting Started - IDE

If you want to program your Arduino Opta® Digital Expansions while offline you need to install the Arduino® Desktop IDE **[1]** and the Arduino\_Opta\_Blueprint using the Library Manager. To connect the Arduino Opta® to your computer, you will need a USB-C® cable.

## 6.2 Getting Started - Arduino Web Editor

All Arduino® devices work out-of-the-box on the Arduino® Web Editor **[2]** by just installing a simple plugin.

The Arduino® Web Editor is hosted online, therefore it will always be up-to-date with the latest features and support for all boards and devices. Follow **[3]** to start coding on the browser and upload your sketches onto your device.

## 6.3 Getting Started - Arduino PLC IDE

Arduino Opta® Digital Expansions can be also programmed using the industrial-standard *IEC 61131-3* programming languages. Download the Arduino® PLC IDE **[4]** software, attach the Opta® Expansion through the Aux Connector and connect your Arduino Opta® to your computer using a simple USB-C® cable to start creating your own PLC industrial solutions. The PLC IDE will recognize the expansion and will expose the new available I/Os in the resources tree.

### 6.4 Getting Started - Arduino Cloud

All Arduino® IoT enabled products are supported on Arduino Cloud which allows you to log, graph and analyze sensor data, trigger events, and automate your home or business.

### 6.5 Sample Sketches

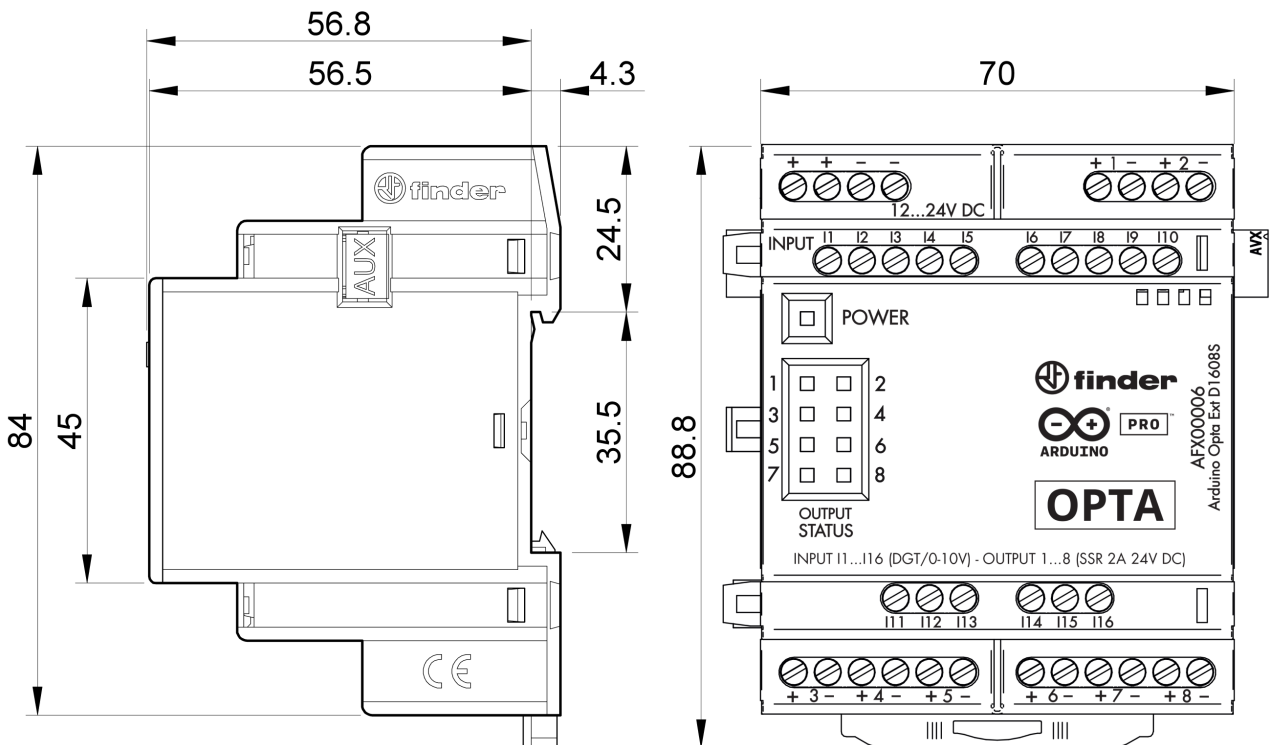
Sample sketches for Arduino Opta® Digital Expansions can be found in the **Arduino\_Opta\_Blueprint** library “Examples” in the Arduino® IDE or the “Arduino Opta® Documentation” section of Arduino® [5].

### 6.6 Online Resources

Now that you have gone through the basics of what you can do with the device, you can explore the endless possibilities it provides by checking exciting projects on ProjectHub [6], the Arduino® Library Reference [7] and the online store [8] where you will be able to complement your Arduino Opta® product with additional extensions, sensors and actuators.

## 7 Mechanical Information

### 7.1 Product Dimensions



Arduino Opta® Expansion Outline. Dimensions are in mm

**Note:** Terminals can be used with both solid and stranded core wire (min: 0.5 mm<sup>2</sup> / 20 AWG).

## 8 Certifications

### 8.1 Certifications Summary

Cert	Arduino Opta® Digital Expansion EMR (AFX00005)	Arduino Opta® Digital Expansion SSR (AFX00006)
CE (EU)	EN IEC 61326-1:2021, EN IEC 61010 (LVD)	EN IEC 61326-1:2021, EN IEC 61010 (LVD)
CB (EU)	Yes	Yes
WEEE (EU)	Yes	Yes
REACH (EU)	Yes	Yes
UKCA (UK)	EN IEC 61326-1:2021	EN IEC 61326-1:2021
FCC (US)	Yes	Yes
cULus	UL 61010-2-201	UL 61010-2-201

### 8.2 Declaration of Conformity CE DoC (EU)

We declare under our sole responsibility that the products above are in conformity with the essential requirements of the following EU Directives and therefore qualify for free movement within markets comprising the European Union (EU) and European Economic Area (EEA).

### 8.3 Declaration of Conformity to EU RoHS & REACH 211 01/19/2021

Arduino boards are in compliance with RoHS 2 Directive 2011/65/EU of the European Parliament and RoHS 3 Directive 2015/863/EU of the Council of 4 June 2015 on the restriction of the use of certain hazardous substances in electrical and electronic equipment.

Substance	Maximum limit (ppm)
Lead (Pb)	1000
Cadmium (Cd)	100
Mercury (Hg)	1000
Hexavalent Chromium (Cr6+)	1000
Poly Brominated Biphenyls (PBB)	1000
Poly Brominated Diphenyl ethers (PBDE)	1000
Bis(2-Ethylhexyl) phthalate (DEHP)	1000
Benzyl butyl phthalate (BBP)	1000
Dibutyl phthalate (DBP)	1000
Diisobutyl phthalate (DIBP)	1000

Exemptions: No exemptions are claimed.

Arduino Boards are fully compliant with the related requirements of European Union Regulation (EC) 1907 /2006 concerning the Registration, Evaluation, Authorization and Restriction of Chemicals (REACH). We declare none of the SVHCs (<https://echa.europa.eu/web/guest/candidate-list-table>), the Candidate List of Substances of Very High Concern for authorization currently released by ECHA, is present in all products (and also package) in quantities totaling in a concentration equal or above 0.1%. To the best of our knowledge, we also declare that our products do not contain any of the substances listed on the "Authorization List" (Annex XIV of the REACH regulations) and

Substances of Very High Concern (SVHC) in any significant amounts as specified by the Annex XVII of Candidate list published by ECHA (European Chemical Agency) 1907 /2006/EC.

#### 8.4 Conflict Minerals Declaration

As a global supplier of electronic and electrical components, Arduino is aware of our obligations with regards to laws and regulations regarding Conflict Minerals, specifically the Dodd-Frank Wall Street Reform and Consumer Protection Act, Section 1502. Arduino does not directly source or process conflict minerals such as Tin, Tantalum, Tungsten, or Gold. Conflict minerals are contained in our products in the form of solder, or as a component in metal alloys. As part of our reasonable due diligence Arduino has contacted component suppliers within our supply chain to verify their continued compliance with the regulations. Based on the information received thus far we declare that our products contain Conflict Minerals sourced from conflict-free areas.

## 9 FCC Caution

Any Changes or modifications not expressly approved by the party responsible for compliance could void the user's authority to operate the equipment.

This device complies with part 15 of the FCC Rules. Operation is subject to the following two conditions:

- (1) This device may not cause harmful interference
- (2) this device must accept any interference received, including interference that may cause undesired operation.

**Note:** This equipment has been tested and found to comply with the limits for a Class A digital device, pursuant to part 15 of the FCC Rules. These limits are designed to provide reasonable protection against harmful interference when the equipment is operated in a commercial environment. This equipment generates, uses, and can radiate radio frequency energy and, if not installed and used in accordance with the instruction manual, may cause harmful interference to radio communications. Operation of this equipment in a residential area is likely to cause harmful interference in which case the user will be required to correct the interference at his own expense.

## 10 Company Information

<b>Company name</b>	<b>Arduino S.r.l</b>
Company Address	Via Andrea Appiani, 25 - 20900 MONZA ( Italy )

## 11 Reference Documentation

Ref	Link
Arduino IDE (Desktop)	<a href="https://www.arduino.cc/en/Main/Software">https://www.arduino.cc/en/Main/Software</a>
Arduino IDE (Cloud)	<a href="https://create.arduino.cc/editor">https://create.arduino.cc/editor</a>
Arduino Cloud - Getting started	<a href="https://docs.arduino.cc/arduino-cloud/getting-started/iot-cloud-getting-started">https://docs.arduino.cc/arduino-cloud/getting-started/iot-cloud-getting-started</a>
Arduino PLC IDE	<a href="https://www.arduino.cc/en/Main/Software">https://www.arduino.cc/en/Main/Software</a>
Arduino Opta® Documentation	<a href="https://docs.arduino.cc/hardware/opta">https://docs.arduino.cc/hardware/opta</a>
Project Hub	<a href="https://create.arduino.cc/projecthub?by=part&amp;part_id=11332&amp;sort=trending">https://create.arduino.cc/projecthub?by=part&amp;part_id=11332&amp;sort=trending</a>
Library Reference	<a href="https://www.arduino.cc/reference/en/">https://www.arduino.cc/reference/en/</a>
Online Store	<a href="https://store.arduino.cc/">https://store.arduino.cc/</a>

## 12 Revision History

Date	Revision	Changes
06/05/2024	1	First Release

## X-ON Electronics

Largest Supplier of Electrical and Electronic Components

*Click to view similar products for [Development Boards & Kits - AVR category](#):*

*Click to view products by [Arduino manufacturer](#):*

Other Similar products are found below :

[AVRSB100](#) [3264](#) [ATAVRPARROT](#) [EV66E56A](#) [IOT BUNDLE RP2040](#) [ARDUINO NANO 33 BLE SENSE REV2 + HEADERS](#)  
[ARDUINO UNO REV4 MINIMA](#) [ARDUINO UNO REV4 WIFI](#) [ARDUINO OPTA LITE](#) [ARDUINO GIGA DISPLAY](#) [ARDUINO NANO](#)  
[ESP32 WITH HEADERS](#) [MAKE YOUR UNO KIT](#) [ARDUINO NANO ESP32 WITHOUT HEADERS](#) [ARDUINO WISGATE EDGE LITE2](#)  
[EU](#) [PORTENTA C33](#) [ARDUINO WISGATE EDGE PRO EU](#) [NANO BLE SENSE REV2 WITHOUT HEADERS](#) [ARDUINO OPTA WIFI](#)  
[ARDUINO EXPLORE IOT KIT REV2](#) [ARDUINO NANO SCREW TERMINAL ADAPTER](#) [MKR IOT CARRIER REV2](#) [ARDUINO OPTA](#)  
[RS485](#) [ARDUINO ALVIK](#) [OPTA EXT D1608S](#) [OPTA EXT D1608E](#) [NICLA VOICE](#) [ARDUINO GIGA R1 WIFI](#) [ARDUINO PLC](#)  
[STARTER KIT](#) [1222](#) [MIKROE-2474](#) [1260](#) [1405](#) [DEV-10914](#) [1500](#) [1639](#) [1657](#) [193](#) [2000](#) [2010](#) [3208](#) [ATRCB256RFR2](#) [ATXMEGAA1U-](#)  
[XPRO](#) [2085](#) [2290](#) [2488](#) [2590](#) [296](#) [3000](#) [ATAVRBLE-IOT](#) [ATTINY416-XNANO](#)