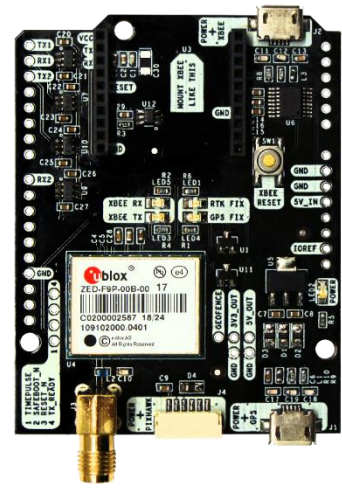


# simpleRTK2B

**Standalone application board to evaluate multiband GNSS technology including RTK functionality**

**SKU: AS-RTK2B-F9P-L1L2-NH-02**



## Key features

- Centimeter level precision
  - <1cm with a base station up to 35km
  - <1cm with NTRIP up to 35km
  - <4cm with SSR corrections (PPP-RTK)
  - <1.5m in standalone mode
  - <0.9m standalone with SBAS coverage
- Based on u-blox ZED-F9P module
- Fully compatible with Arduino, STM32 Nucleo boards and Pixhawk autopilots
- Multiple radio link options
- Configuration flexibility: standalone, standalone with NTRIP, base-rover, base-multi rover, RTK moving base
- RAW GNSS measurements

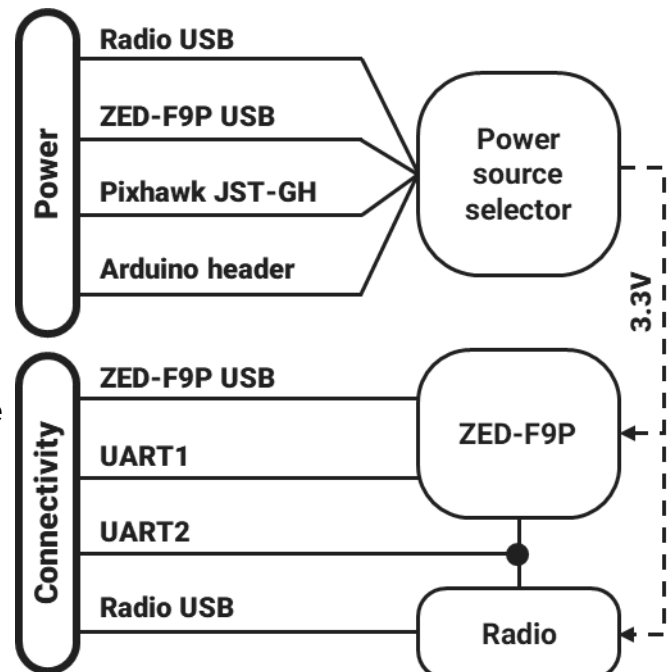
## Mechanical

- Arduino UNO form factor 69x53mm
- 19.5g (without radio)
- Compatible with Arduino UNO headers
- 3xM3 holes (Arduino UNO compatible)
- Supports all radio modules via 2mm 10pin headers

## Electrical

- Power consumption: 80mA @ 5V
- Active antenna power supply at 3V up to 75mA
- Interfaces: USB, UART(2)
- Timepulse output, Time sync input, Geofence output
- XBee socket up to 500mA @ 3V
- Multi constellation
  - GPS: L1C/A L2C
  - GLONASS: L1OF L2OF
  - Galileo: E1-B/C E5b
  - BeiDou: B1I B2I

## Functional schematic diagram



## X-ON Electronics

Largest Supplier of Electrical and Electronic Components

*Click to view similar products for [GPS Development Tools](#) category:*

*Click to view products by [ArduSimple](#) manufacturer:*

Other Similar products are found below :

[A9G](#) [SKY65725-11EK1](#) [SKY65728-11EK1](#) [TAU1201-EVK-A00](#) [1059](#) [1090](#) [1272](#) [MDEV-GNSS-TM](#) [TEL0051](#) [M20050-EVB-1](#) [GPS-14414](#) [SIM808](#) [EVK-M8U](#) [SIM868](#) [746](#) [2324](#) [4279](#) [4415](#) [M10578-A2-U1](#) [ASX00017](#) [AS-RTK2B-F9P-L1L2-NH-02](#) [AS-RTK2B-LIT-L1L2-SMA-00](#) [AS-STARTKIT-BASIC-L1L2-NH-02](#) [AS-STARTKIT-LITE-L1L2-HS-00](#) [AS-STARTKIT-LR-L1L2-EUNH-00](#) [AS-STARTKIT-LR-L1L2-NANH-00](#) [AS-STARTKIT-MCPIE-L1L2-0-00](#) [AS-STARTKIT-MR-L1L2-NH-00](#) [EA-ACC-023](#) [A2235HB04](#) [M5310A-MBR](#) [M5312](#) [EVA2035-H](#) [EVA2100-A](#) [EVA2200-A](#) [MAX2669EVKIT+](#) [MIKROE-3660](#) [MIKROE-4673](#) [MIKROE-1032](#) [MIKROE-1714](#) [MIKROE-1850](#) [MIKROE-1887](#) [MIKROE-1895](#) [MIKROE-1912](#) [MIKROE-2382](#) [ML302](#) [MOD-GPS](#) [PIM525](#) [604565286017](#) [PYTRACK](#)