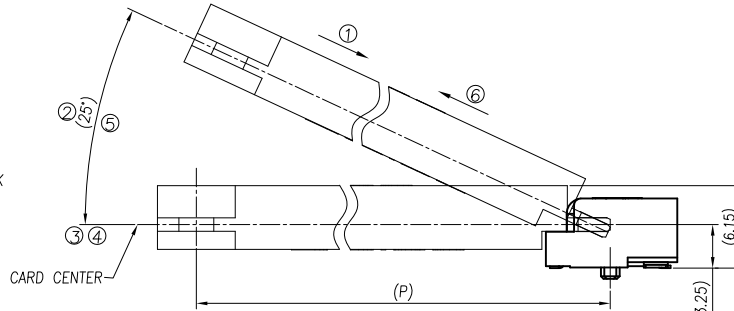
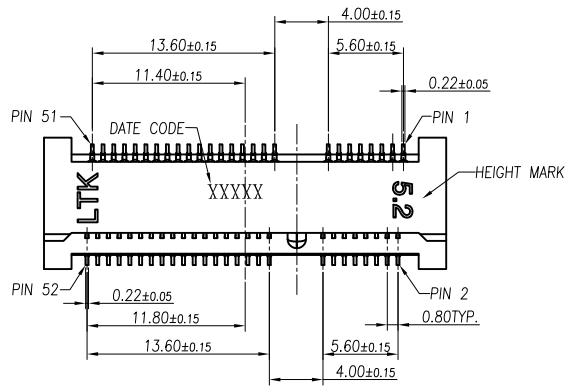


1 2 3 4 5 6 7 8

REV.	MODIFICATION	DATE	DRAW
A	INITIAL RELEASE	2012.03.07	Coco

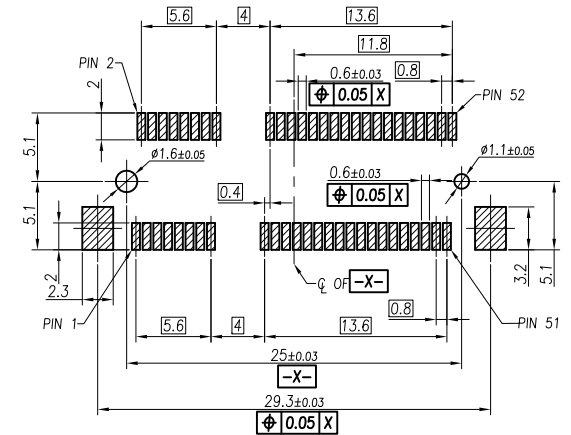
A

A



MATING: ① INSERTING(25°) → ② ROTATING → ③ FIXED
 UNMATING: ④ UNFIXED → ⑤ ROTATING → ⑥ WITHDRAWING

HALOGEN FREE LEAD FREE



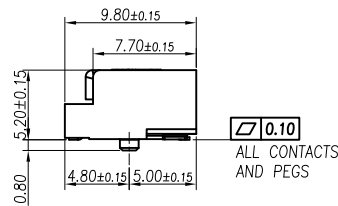
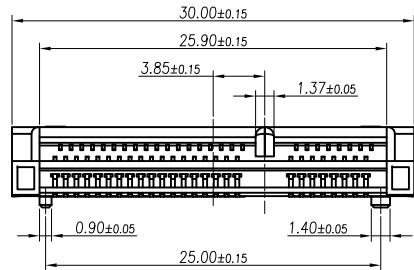
RECOMMEND PCB LAYOUT(MINIMUM THICKNESS OF THE PCB IS 0.8mm)
 (OTHER TOLERANCES ARE NOT MARKED:±0.03)

B

B

C

C



NOTES:

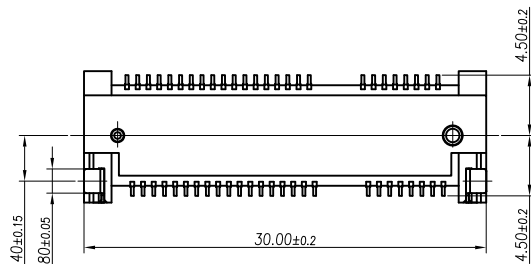
- MATERIAL:
 HOUSING: THERMOPLASTIC, BLACK COLOR, FLAME RESISTANCE UL94-V0.
 CONTACTS: COPPER ALLOY, THICKNESS 0.20mm.
 SOLDER PEGS: COPPER ALLOY, THICKNESS 0.20mm.
- MSL LEVEL:
 MSL(MOISTURE SENSITIVITY LEVELS)=1
- FINISHED:
 CONTACTS: GOLD PLATING ON CONTACT AREA AND 50~120u" MATTE TIN PLATING ON SOLDER AREA.
 30~120u" NICKEL UNDER-PLATING OVER ALL.
 SOLDER PEGS: 50~120u" MATTE TIN PLATING OVER ALL.
 50~120u" NICKEL UNDER-PLATING OVER ALL.
- PART NUMBER:
 MPCET-S52XX-TP52
 01:GOLD FLASH TP:TAPE REEL
 05:5U" MIN.
 10:10U" MIN.
 15:15U" MIN.
 30:30U" MIN.

D

D

E

E



LINKTEK

F

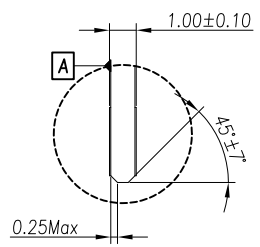
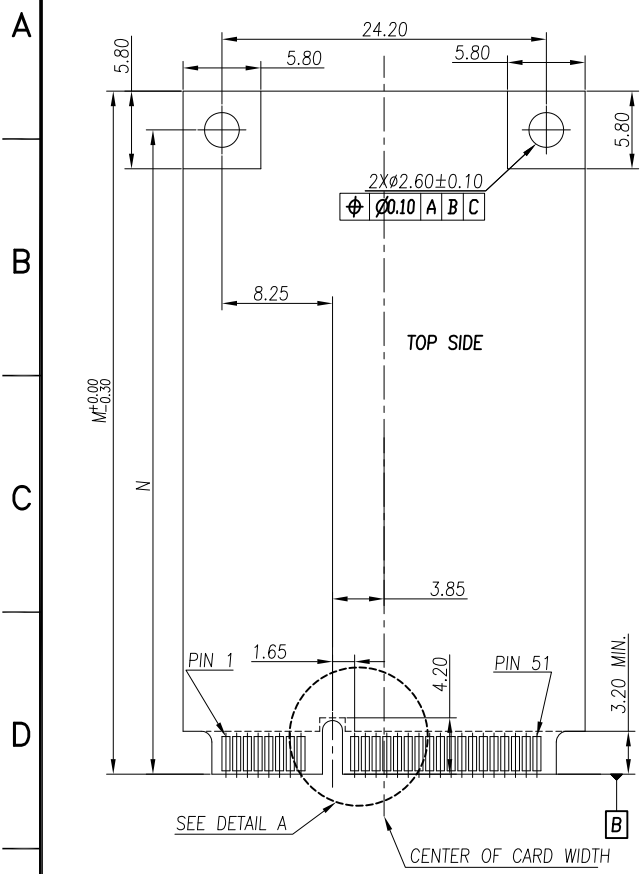
F

DIMENSION IN mm [Inch]	PROD. SPEC. SP-MPCXXL1	ARGOSY RESEARCH INC.
TOLERANCE UNLESS OTHERWISE SPECIFIED	PKG. SPEC. PK-MPCET-001	
.X±0.35 X'±1'	APR. Alex 2012.03.07	TITLE: MINI PCI EXPRESS 5.2H
.XX±0.25 .X'±	CHK. Leo 2012.03.07	FILE NO. ARG-125 DWG NO. MPCET-S52XX-TP52
.XXX± .XX'±	DRA. Coco 2012.03.07	PROJ. CUSTOMER DRAWING
		SIZE A4 SCALE 1:1 SHEET 1/2 REV. A C

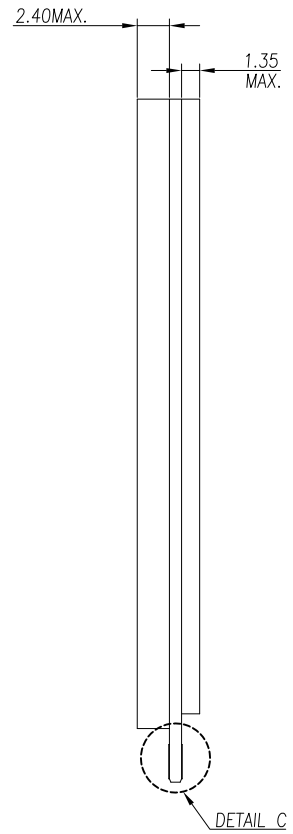
1 2 3 4 5 6 7 8 RD-102-15-01

REV.	MODIFICATION	DATE	DRAW
A	INITIAL RELEASE	2012.03.07	Coco

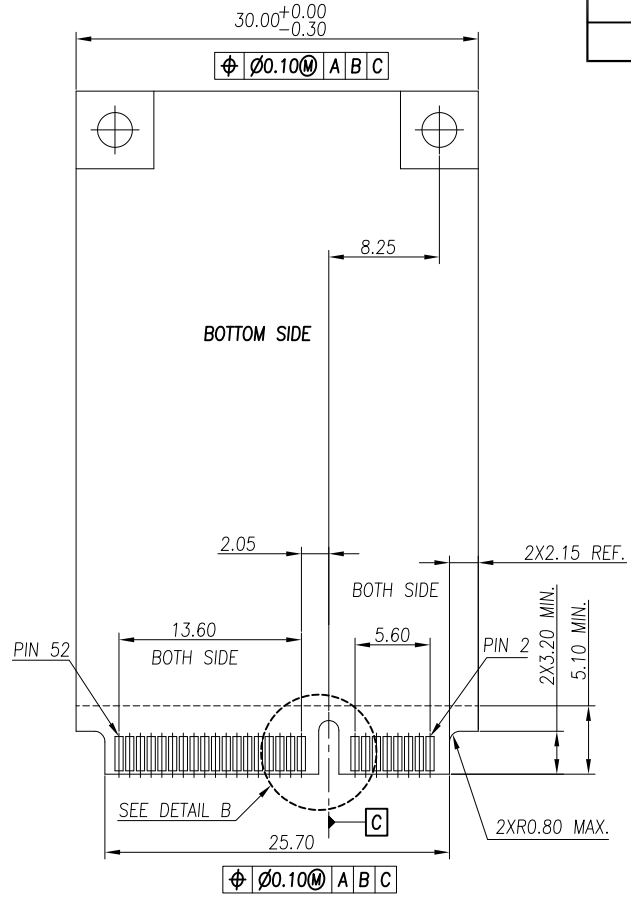
HALOGEN FREE LEAD FREE



DETAIL C
SCALE 2:1

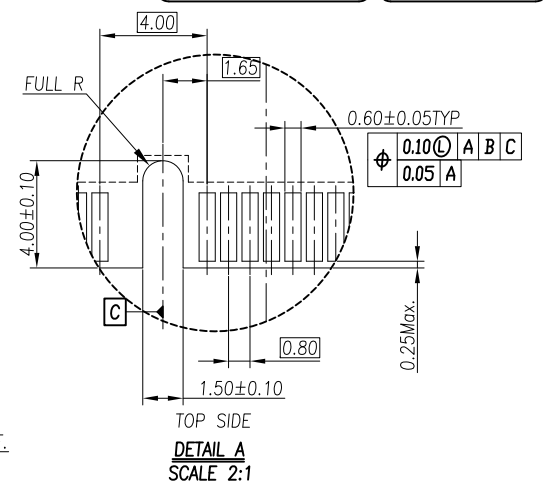


DETAIL C

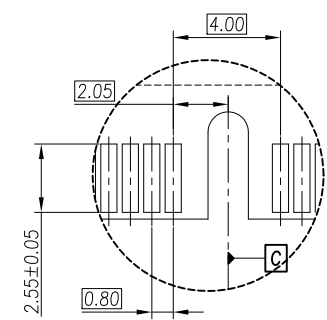


SEE DETAIL B

Ø 0.10 A B C



TOP SIDE
DETAIL A
SCALE 2:1



BOTTOM SIDE
DETAIL B
SCALE 2:1

LINKTEK

DIMENSION IN mm [Inch]		PROD. SPEC. SP-MPCXXL1
TOLERANCE UNLESS OTHERWISE SPECIFIED		PKG. SPEC. PK-MPCET-001
.X±0.35	X.*± 1*	APR. Alex 2012.03.07
.XX±0.25	.X.*±	CHK. Leo 2012.03.07
.XXX±	.XX.*±	DRA. Coco 2012.03.07

ARGOSY RESEARCH INC.			
TITLE: MINI PCI EXPRESS 5.2H			
FILE NO. ARG-125	DWG NO. MPCET-S52XX-TP52		
PROJ.	CUSTOMER DRAWING		
SIZE A4	SCALE 1:1	SHEET 2/2	REV. A C

	M	N	P
FULL-MINI CARD	50.95	48.05	48.05
HALF-MINI CARD	26.8	23.9	23.9

X-ON Electronics

Largest Supplier of Electrical and Electronic Components

Click to view similar products for [Standard Card Edge Connectors](#) category:

Click to view products by [Argosy](#) manufacturer:

Other Similar products are found below :

[CR7E-30DB-3.96E\(72\)](#) [6364499-1](#) [6565204-6](#) [147889-1](#) [EBT15622B2X](#) [1-582587-1](#) [284-0102-12100](#) [286-0052-12101A](#) [306022901000000](#)
[307-012-502-202](#) [307-056-520-300](#) [A6D22DS29C2](#) [1926088-2](#) [2129318-1](#) [287-0032-12101](#) [345-060-559-303](#) [392-008-559-201](#) [534671-1](#)
[341-240-317](#) [345-044-500-300](#) [346-240-318](#) [387-012-523-300](#) [395-100-524-300](#) [09-07-2032](#) [10035388-802LF](#) [10115859-011LF](#) [10122859-](#)
[009LF](#) [101269333204245CLF](#) [530555-1](#) [66925-516LF](#) [5145409-2](#) [73726-0005](#) [66308-1](#) [5036A30](#) [PEC-07-02-T-S-A](#) [346-014-520-801](#)
[KSLX-62-BR](#) [307-048-502-202](#) [CE100F26-7-C](#) [CE100F28-3-D](#) [CE100F28-4-D](#) [CE156F18-9-C](#) [CE156F22-5-D](#) [CE156F22-9-C](#) [CT100F22-](#)
[2-D](#) [CT100F22-3-D](#) [CT100F24-2-D](#) [CT100F24-3-D](#) [CT100F24-6-C](#) [CT156F22-4-D](#)