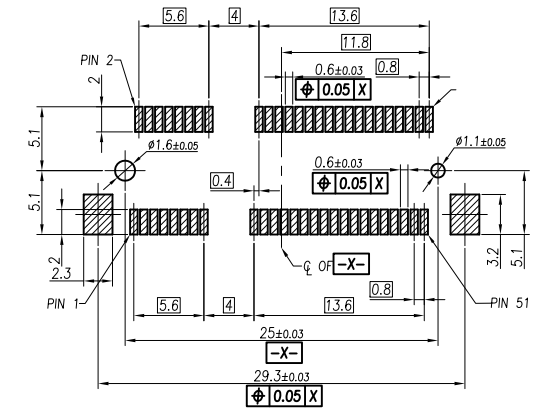


| REV. | MODIFICATION    | DATE       | DRAW |
|------|-----------------|------------|------|
| A    | INITIAL RELEASE | 2012.03.07 | Coco |
|      |                 |            |      |
|      |                 |            |      |

HALOGEN FREE LEAD FREE

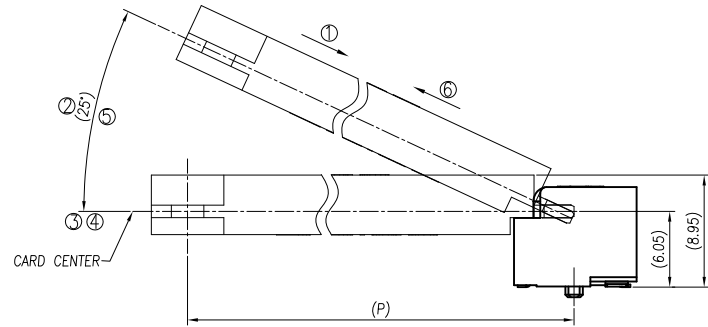
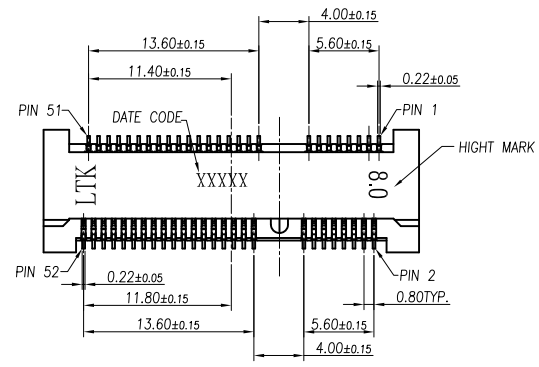


RECOMMEND PCB LAYOUT(MINIMUM THICKNESS OF THE PCB IS 0.8mm)  
(OTHER TOLERANCES ARE NOT MARKED:±0.03)

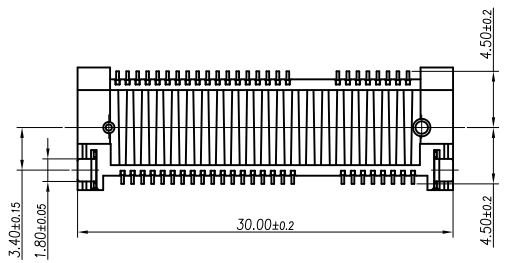
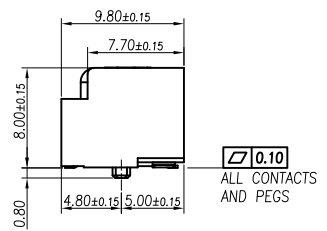
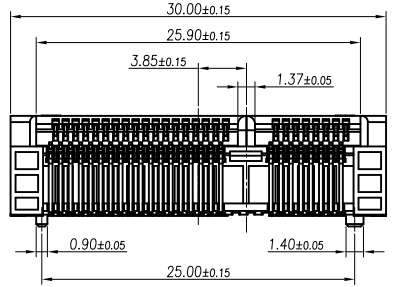
- NOTES:
- MATERIAL:  
HOUSING: THERMOPLASTIC , BLACK COLOR ,  
FLAME RESISTANCE UL94-V0.  
CONTACTS: COPPER ALLOY, THICKNESS 0.20mm.  
SOLDER PEGS: COPPER ALLOY, THICKNESS 0.2mm.
  - MSL LEVEL:  
MSL(MOISTURE SENSITIVITY LEVELS)=1
  - FINISHED:  
CONTACTS: GOLD PLATING ON CONTACT AREA AND  
50~120u" MATTE TIN PLATING ON SOLDER AREA.  
30~120u" NICKEL UNDER-PLATING OVER ALL.  
SOLDER PEGS: 50~120u" MATTE TIN PLATING OVER 50~120u"  
NICKEL UNDER-PLATING OVER ALL.
  - PART NUMBER:  
MPCET-S52XX-TP80  
01:GOLD FLASH TP:TAPE REEL  
05:5U" MIN.  
10:10U"MIN.  
15:15U"MIN.  
30:30U"MIN.

LINKTEK

|                                      |        |                            |                              |                          |           |
|--------------------------------------|--------|----------------------------|------------------------------|--------------------------|-----------|
| DIMENSION IN mm [Inch]               |        | PROD. SPEC.<br>SP-MPCXXL1  | <b>ARGOSY RESEARCH INC.</b>  |                          |           |
| TOLERANCE UNLESS OTHERWISE SPECIFIED |        | PKG. SPEC.<br>PK-MPCET-OXX |                              |                          |           |
| .X±0.35                              | X*± 1* | APR. Alex<br>2012.03.07    | TITLE: MINI PCI EXPRESS 8.0H |                          |           |
| .XX±0.25                             | .X*±   | CHK. Leo<br>2012.03.07     | FILE NO. ARG-126             | DWG NO. MPCET-S52XX-TP80 |           |
| .XXX±                                | .XX*±  | DRA. Coco<br>2012.03.07    | PROJ.                        |                          |           |
|                                      |        |                            | SIZE A4                      | SCALE 1:1                | SHEET 1/2 |
|                                      |        |                            | REV. A                       | C                        |           |

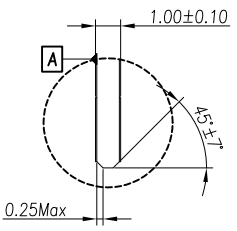
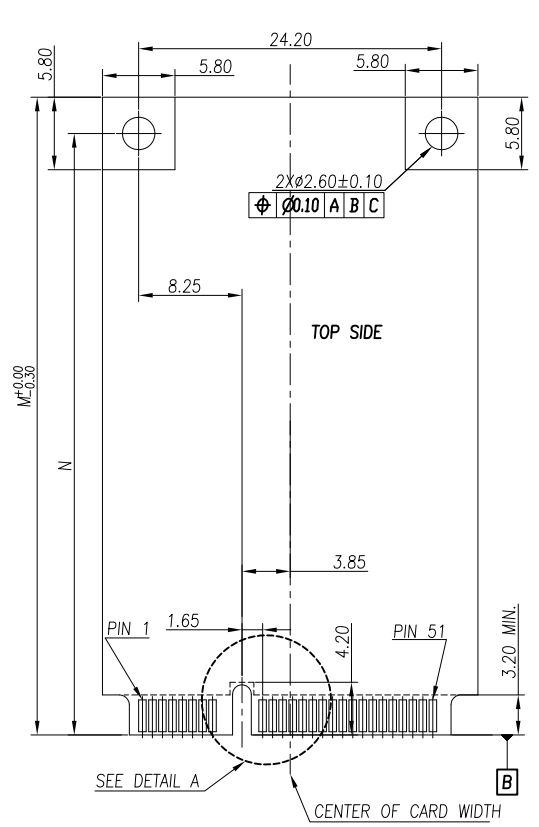


MATING: ① INSERTING(25°) → ② ROTATING → ③ FIXED  
UNMATING: ④ UNFIXED → ⑤ ROTATING → ⑥ WITHDRAWING

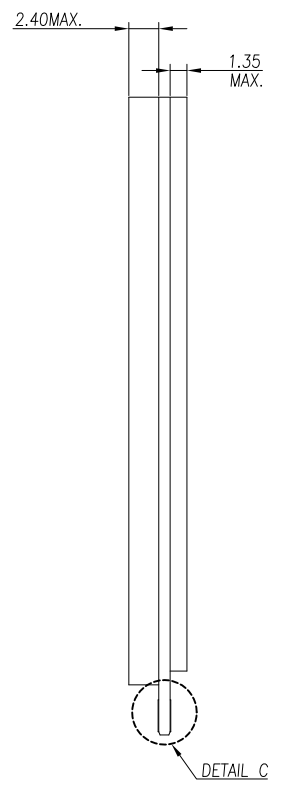


| REV. | MODIFICATION    | DATE       | DRAW |
|------|-----------------|------------|------|
| A    | INITIAL RELEASE | 2012.03.07 | Coco |
|      |                 |            |      |
|      |                 |            |      |

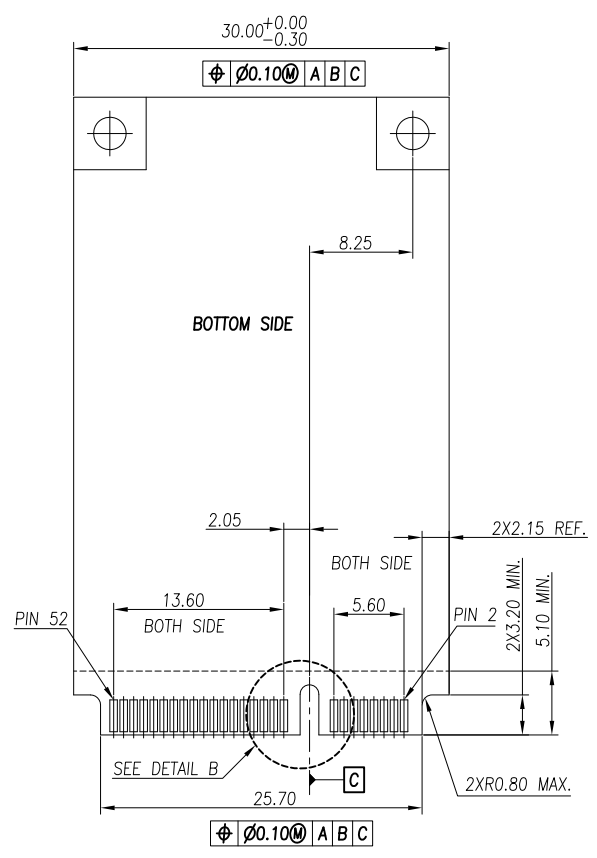
HALOGEN FREE LEAD FREE



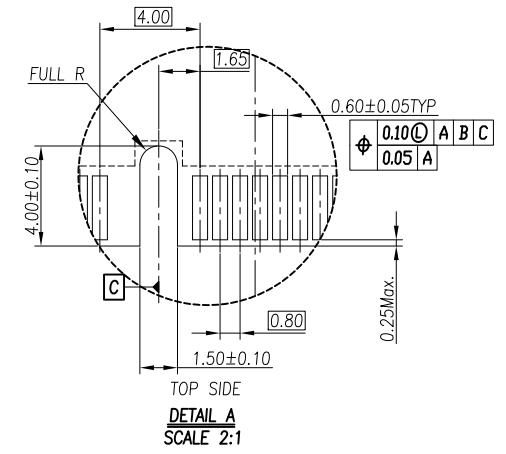
DETAIL C  
SCALE 2:1



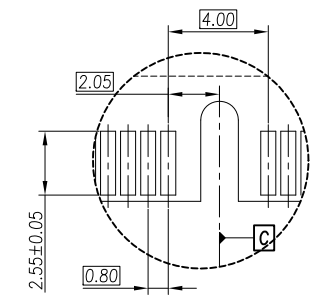
DETAIL C



DETAIL B



DETAIL A  
SCALE 2:1



DETAIL B  
SCALE 2:1

LINKTEK

|                | M     | N     | P     |
|----------------|-------|-------|-------|
| FULL-MINI CARD | 50.95 | 48.05 | 49.70 |
| HALF-MINI CARD | 26.8  | 23.9  | 25.55 |

| DIMENSION IN mm [Inch]               | PROD. SPEC.             |
|--------------------------------------|-------------------------|
| TOLERANCE UNLESS OTHERWISE SPECIFIED | SP-MPCXXL1              |
| .X ± 0.35                            | PKG. SPEC. PK-MPCET-OXX |
| X' ± 1"                              | APR. Alex 2012.03.07    |
| .XX ± 0.25                           | CHK. Leo 2012.03.07     |
| .XXX ±                               | DRA. Coco 2012.03.07    |

ARGOSY RESEARCH INC.

|                              |                          |           |          |
|------------------------------|--------------------------|-----------|----------|
| TITLE: MINI PCI EXPRESS 8.0H |                          |           |          |
| FILE NO. ARG-126             | DWG NO. MPCET-S52XX-TP80 |           |          |
| PROJ.                        | CUSTOMER DRAWING         |           |          |
| SIZE A4                      | SCALE 1:1                | SHEET 2/2 | REV. A C |

## X-ON Electronics

Largest Supplier of Electrical and Electronic Components

*Click to view similar products for [Standard Card Edge Connectors](#) category:*

*Click to view products by [Argosy](#) manufacturer:*

Other Similar products are found below :

[CR7E-30DB-3.96E\(72\)](#) [6565204-6](#) [1-582587-1](#) [284-0102-12100](#) [286-0052-12101A](#) [306022901000000](#) [307-012-502-202](#) [307-056-520-300](#)  
[A6D22DS29C2](#) [1926088-2](#) [287-0032-12101](#) [345-060-559-303](#) [392-008-559-201](#) [534671-1](#) [341-240-317](#) [345-044-500-300](#) [346-240-318](#)  
[387-012-523-300](#) [395-100-524-300](#) [09-07-2032](#) [10035388-802LF](#) [10115859-011LF](#) [10122859-009LF](#) [101269333204245CLF](#) [530555-1](#)  
[66925-516LF](#) [5145409-2](#) [73726-0005](#) [66308-1](#) [5036A30](#) [PEC-07-02-T-S-A](#) [346-014-520-801](#) [KSLX-62-BR](#) [307-048-502-202](#) [CE100F26-7-](#)  
[C](#) [CE100F28-3-D](#) [CE100F28-4-D](#) [CE156F18-9-C](#) [CE156F22-5-D](#) [CE156F22-9-C](#) [CT100F22-2-D](#) [CT100F22-3-D](#) [CT100F24-2-D](#)  
[CT100F24-3-D](#) [CT100F24-6-C](#) [CT156F22-4-D](#) [MLSS100-12-C](#) [MLSS100-16-C](#) [SCC100F-11-C](#) [SCC100F-16-C](#)