

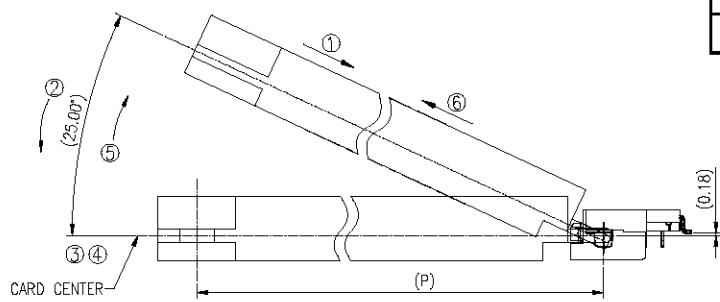
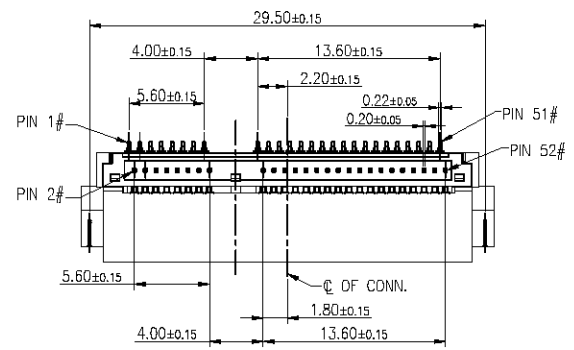
1 2 3 4 5 6 7 8

REV.	MODIFICATION	DATE	DRAW
A	INITIAL RELEASE	2013.10.15	Coco
B	ECN-2015004	2015.02.09	Vincent

HALOGEN FREE **LEAD FREE**

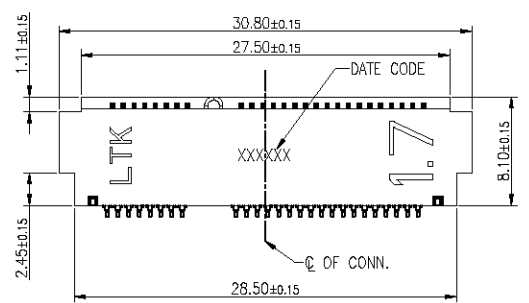
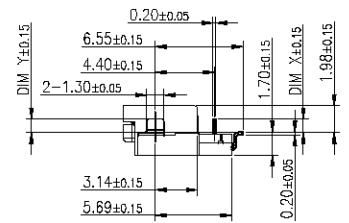
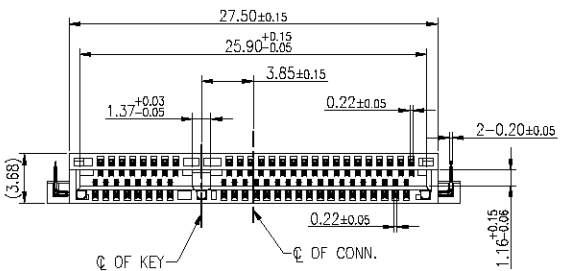
A
B
C
D
E
F

A
B
C
D
E
F



MATING: ① INSERTING(25°) → ② ROTATING → ③ FIXED
UNMATING: ④ UNFIXED → ⑤ ROTATING → ⑥ WITHDRAWING

NOTES:
1. MATERIAL:
HOUSING: THERMOPLASTIC, BLACK COLOR, FLAME RESISTANCE UL94V-0.
CONTACTS: COPPER ALLOY, THICKNESS 0.20mm.
SOLDER PEGS: COPPER ALLOY, THICKNESS 0.20mm.
2. MSL LEVEL:
MSL(MOISTURE SENSITIVITY LEVELS)=1
3. FINISHED:
CONTACTS: GOLD PLATING ON CONTACT AND
50~120u" MATTE TIN PLATING ON THE SOLDER AREA.
30~120u" NICKEL UNDER PLATED OVER ALL.
SOLDER PEGS: 50~120u" MATTE TIN PLATING OVER ALL.
50~120u" NICKEL UNDER PLATED OVER ALL.
4. PART NUMBER:
MPCET-SSXXX-XX17
TP: TAPE REEL(NORMAL DIRECTION)
TS: TAPE REEL(REVERSE DIRECTION)
A: DIM X=1.00, DIM Y=1.00;
REEL W:44.0mm.PITCH:16.0mm
B: DIM X=1.70, DIM Y=1.70;
REEL W:44.0mm.PITCH:16.0mm
E: DIM X=1.30, DIM Y=1.00;
REEL W:56.0mm.PITCH:20.0mm
01: GOLD FLASH
05: 5u"MIN.
10: 10u"MIN.
15: 15u"MIN.
30: 30u"MIN.

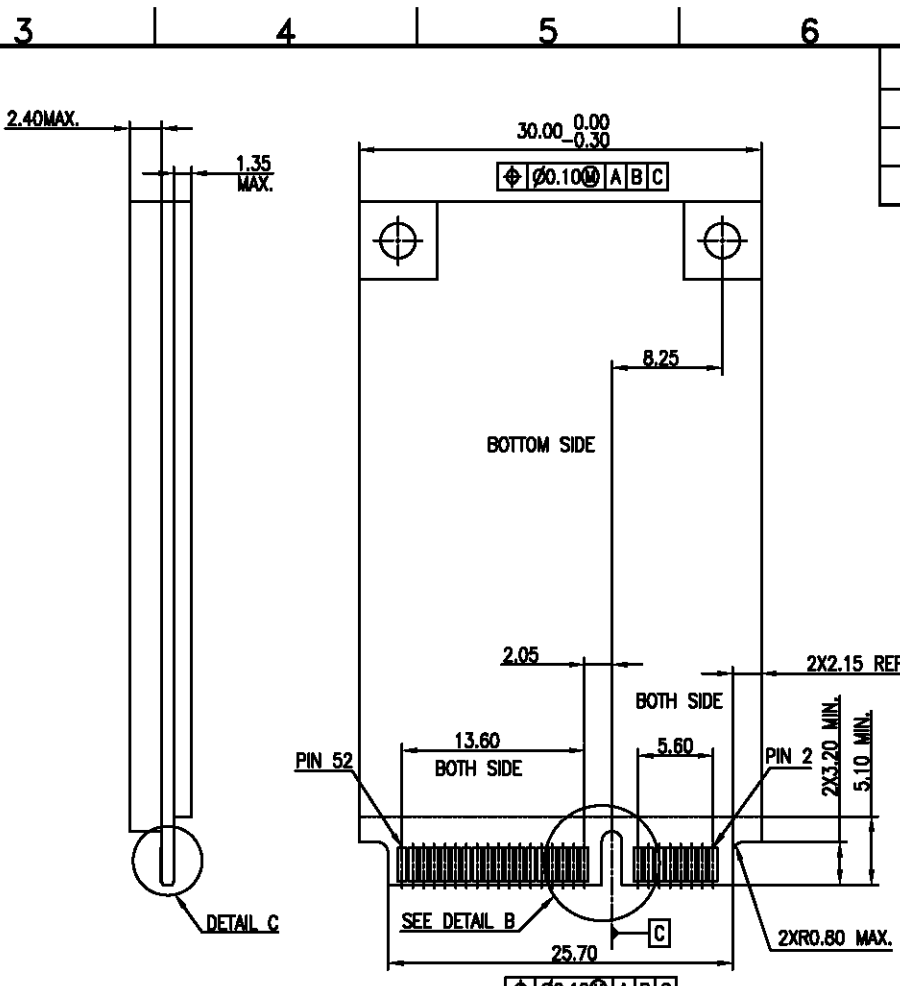
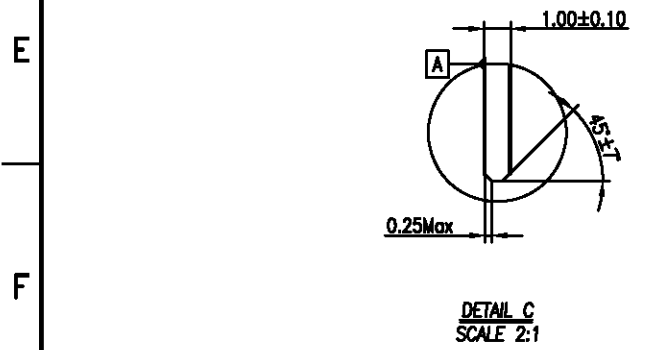
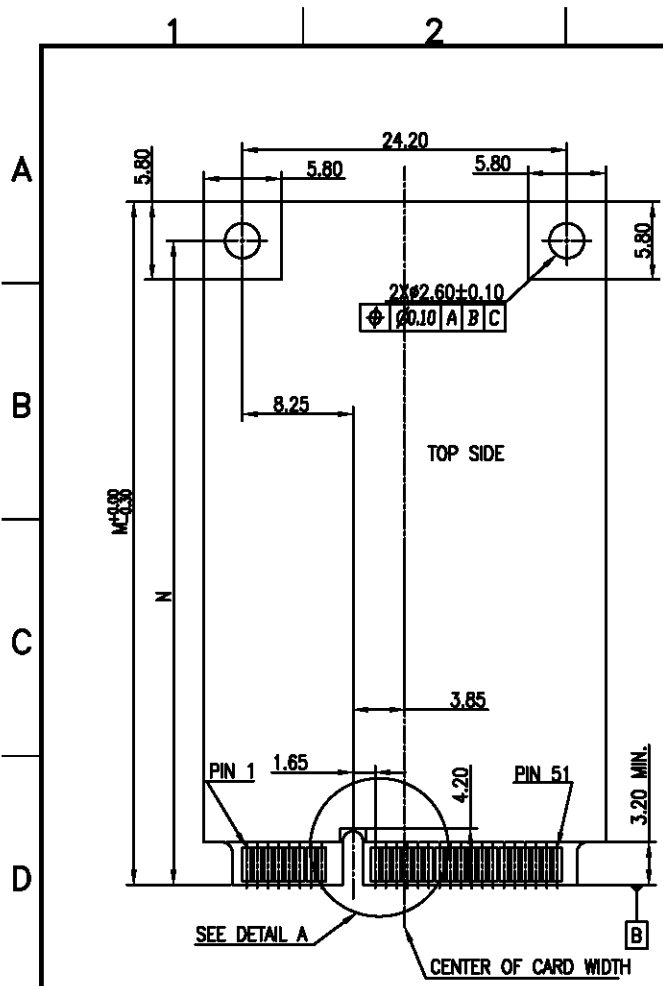


1 2 3 4 5 6 7 8

DIMENSION IN mm [Inch]		PROD. SPEC.
TOLERANCE UNLESS OTHERWISE SPECIFIED		SP-MPCXXL1
.X±0.35	X."± 1"	PKG. SPEC.
.XX±0.25	.X"±	PK-MPCET-XXX
.XXX±	.XX"±	APR. Tony 2015.02.09
		CHK. Leon 2015.02.09
		DRA. Vincent 2015.02.09

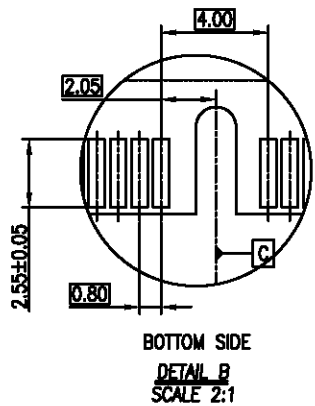
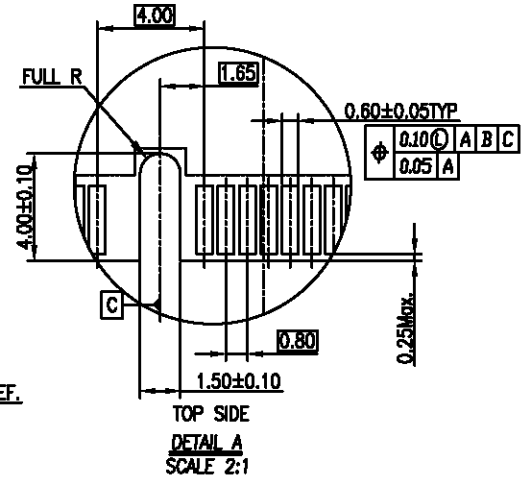
ARGOSY RESEARCH INC.			
TITLE: MINI PCI 52PIN 1.7H(SMT+DIP)			
FILE NO. ARG-180	DWG NO. MPCET-SSXXX-XX17		
PROJ.	CUSTOMER DRAWING		
SIZE A4	SCALE 1:1	SHEET 1/3	REV. B C

LINKTEK



REV.	MODIFICATION	DATE	DRAW
A	INITIAL RELEASE	2013.10.15	Coco
B	ECN-2015004	2015.02.09	Vincent

HALOGEN FREE LEAD FREE



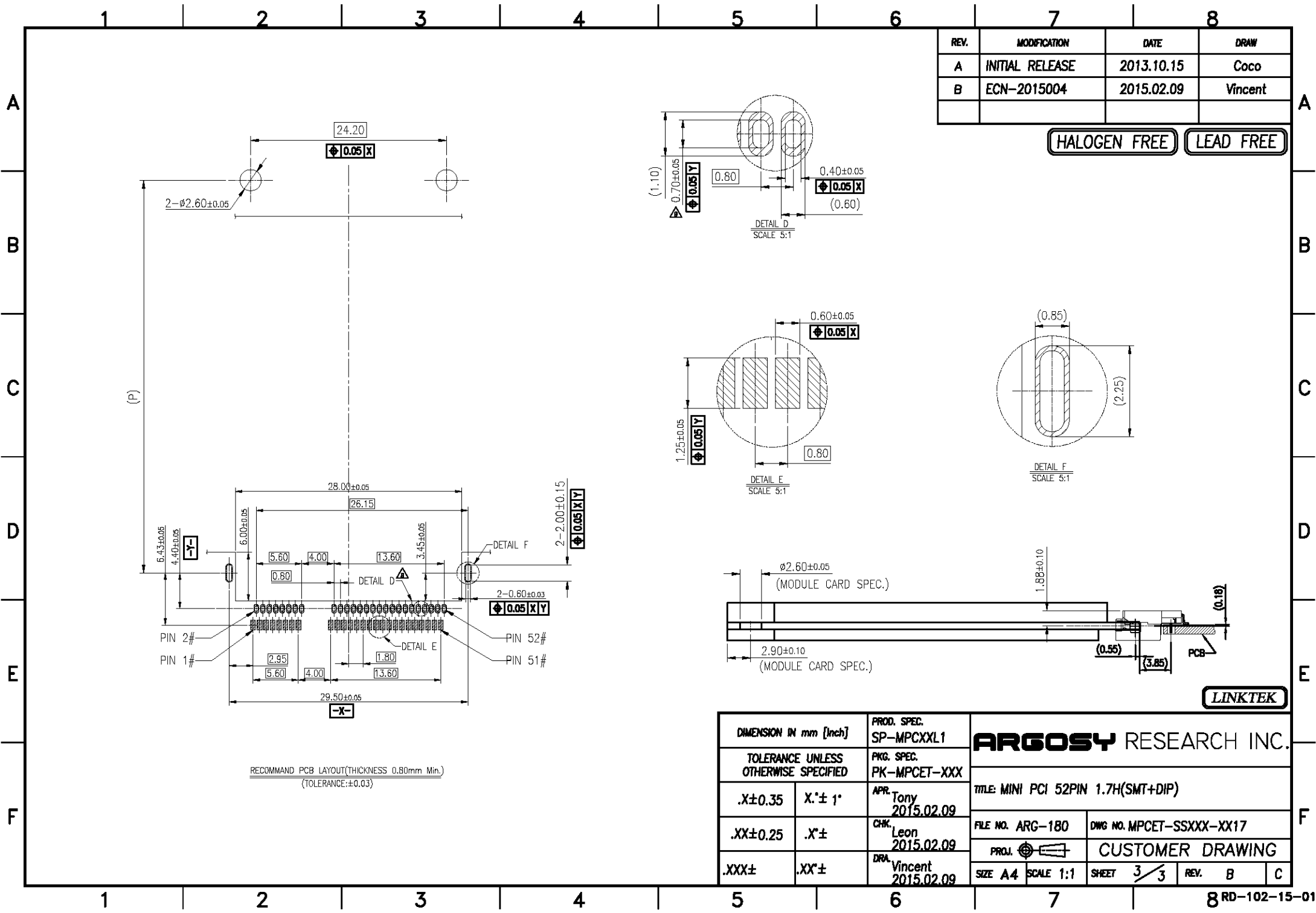
DIMENSION	P	M	N
FULL-MINI CARD	47.50	50.95	48.05
HALF-MINI CARD	23.35	26.80	23.90

DIMENSION IN mm [Inch]		PROD. SPEC. SP-MPCXXL1
TOLERANCE UNLESS OTHERWISE SPECIFIED		PKG. SPEC. PK-MPCET-XXX
.X±0.35	X."± 1"	APR. Tony 2015.02.09
.XX±0.25	.X"±	CHK. Leon 2015.02.09
.XXX±	.XX"±	DRA. Vincent 2015.02.09

ARGOSY RESEARCH INC.

TITLE: MINI PCI 52PIN 1.7H(SMT+DIP)			
FILE NO. ARG-180	DWG NO. MPCET-SSXXX-XX17		
PROJ.	CUSTOMER DRAWING		
SIZE A4	SCALE 1:1	SHEET 2/3	REV. B C

LINKTEK



REV.	MODIFICATION	DATE	DRAW
A	INITIAL RELEASE	2013.10.15	Coco
B	ECN-2015004	2015.02.09	Vincent

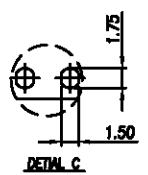
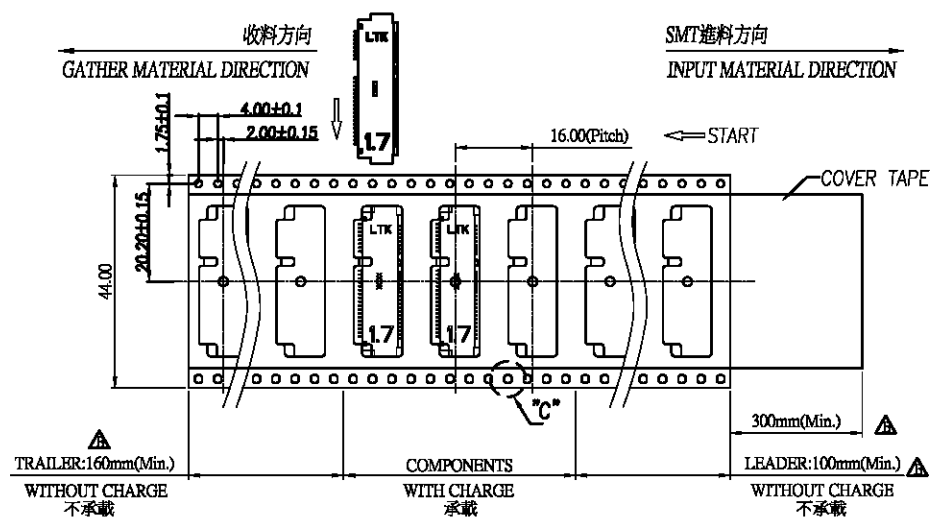
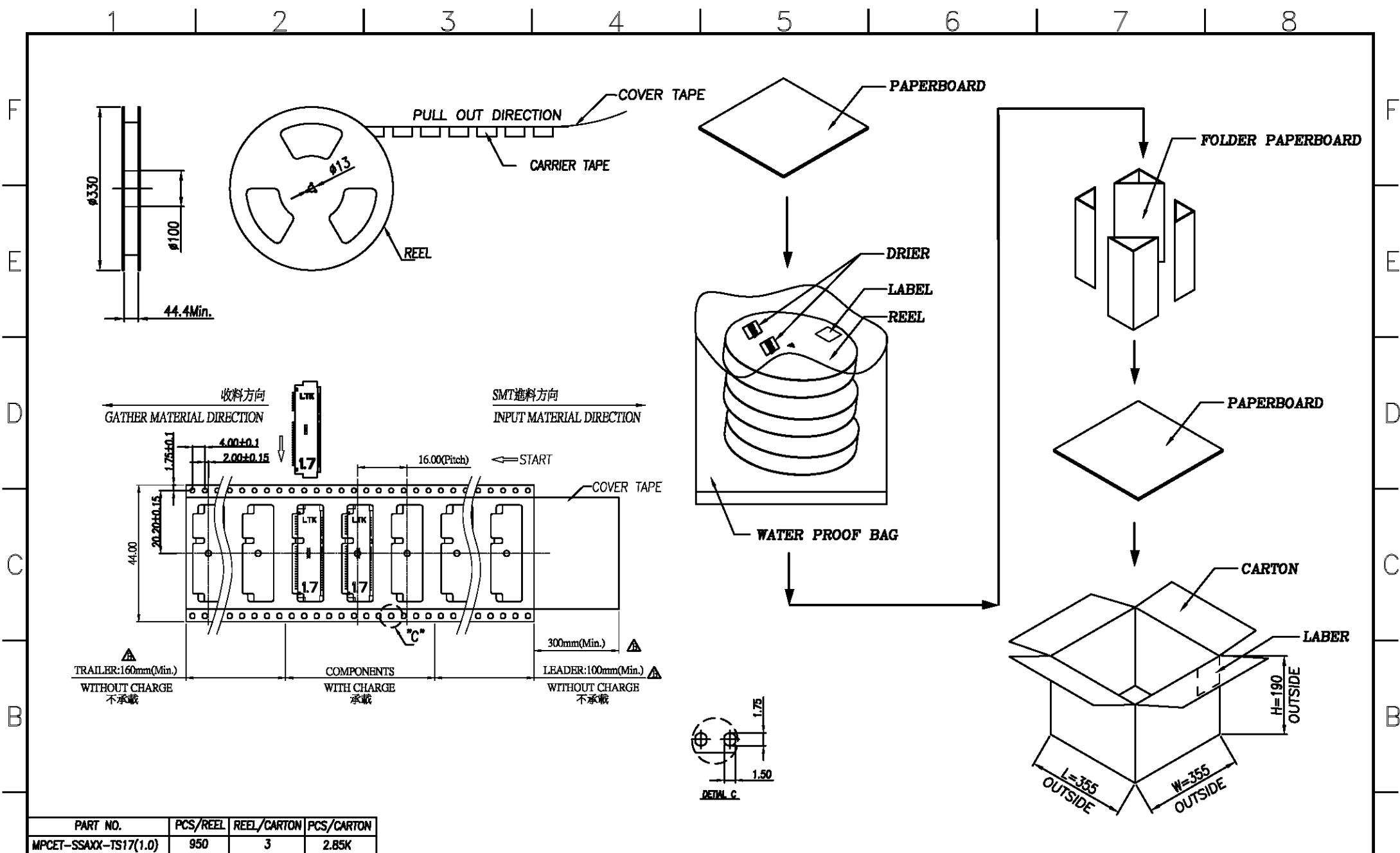
HALOGEN FREE **LEAD FREE**

RECOMMEND PCB LAYOUT (THICKNESS 0.80mm Min.)
(TOLERANCE: ±0.03)

DIMENSION IN mm [Inch]		PROD. SPEC. SP-MPCXXL1
TOLERANCE UNLESS OTHERWISE SPECIFIED		PKG. SPEC. PK-MPCET-XXX
.X±0.35	X.'± 1"	APR. Tony 2015.02.09
.XX±0.25	.X'±	CHK. Leon 2015.02.09
.XXX±	.XX'±	DRA. Vincent 2015.02.09

ARGOSY RESEARCH INC.			
TITLE: MINI PCI 52PIN 1.7H(SMT+DIP)			
FILE NO. ARG-180	DWG NO. MPCET-SSXXX-XX17		
PROJ.	CUSTOMER DRAWING		
SIZE A4	SCALE 1:1	SHEET 3/3	REV. B C

LINKTEK



PART NO.	PCS/REEL	REEL/CARTON	PCS/CARTON
MPCET-SSAXX-TS17(1.0)	950	3	2.85K

ARGOSY RESEARCH INC.
 包裝規範(PACKING LIST)

產品名稱 TITLE: PACKING FOR T/P MINI PCI E CARD CONNECTOR 1.70H沉版
 圖號 DWG NO.: PK-MPCET-013
 審核 APPROVE: Tony 2014.08.04

案號 FILE NO.: ARG-180
 更改 REV: B
 製圖 DRAW: Vincent 2014.08.04
 核對 CHECK: Leon 2014.08.04

張數 SHEET: 1 / 1
 圖紙 SIZE: A4

更改 REV	設變內容 MODIFICATION	日期 DATE	修改 DRAW
B	ECN-2014013	2014.08.04	Vincent
A	INITIAL RELEASE	2013.10.15	Coco

X-ON Electronics

Largest Supplier of Electrical and Electronic Components

Click to view similar products for [Standard Card Edge Connectors](#) category:

Click to view products by [Argosy](#) manufacturer:

Other Similar products are found below :

[6565204-6](#) [PKC-156](#) [1437274-4](#) [147889-1](#) [1489165-4](#) [EBT156-12B1X](#) [EBT15622B2X](#) [EBT156-22R2W](#) [1-582587-1](#) [1-582589-1](#) [2-6437275-9](#) [284-0102-12100](#) [306022901000000](#) [307-012-502-202](#) [307-024-526-201](#) [307-056-520-300](#) [307-080-526-208](#) [1926088-2](#) [245-062-520-350](#) [287-0032-12101](#) [306-010-500-112](#) [306-028-525-102](#) [306-240-318](#) [307-036-502-202](#) [307-036-521-301](#) [307-072-526-202](#) [345-060-559-303](#) [368-004-520-201](#) [392-008-559-201](#) [534671-1](#) [5-530501-5](#) [341-240-317](#) [345-029-520-300](#) [345-030-500-301](#) [345-044-500-300](#) [345-220-058](#) [346-240-318](#) [357-030-526-201](#) [387-012-523-300](#) [395-044-520-300](#) [395-100-524-300](#) [50-12B-10](#) [50-6SN-5](#) [09-07-2032](#) [10035388-106LF](#) [10035388-802LF](#) [10115859-011LF](#) [10122859-009LF](#) [101269333204245CLF](#) [10127905-B04B24BLF](#)