

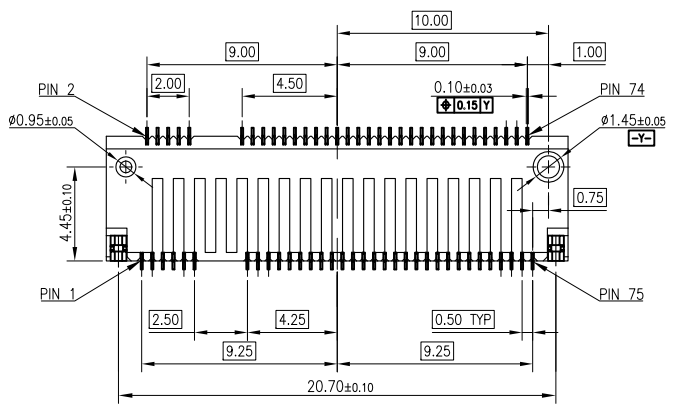
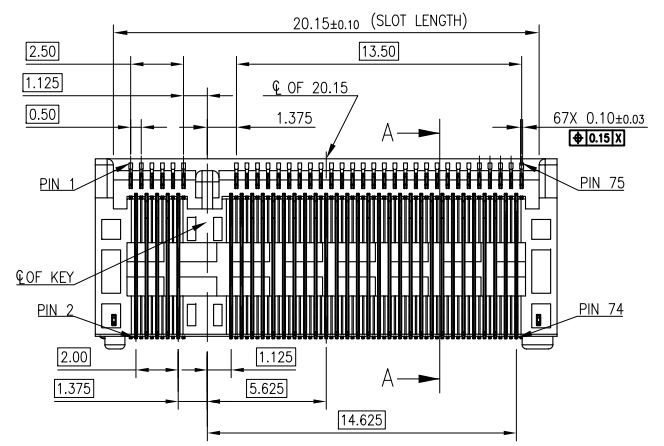
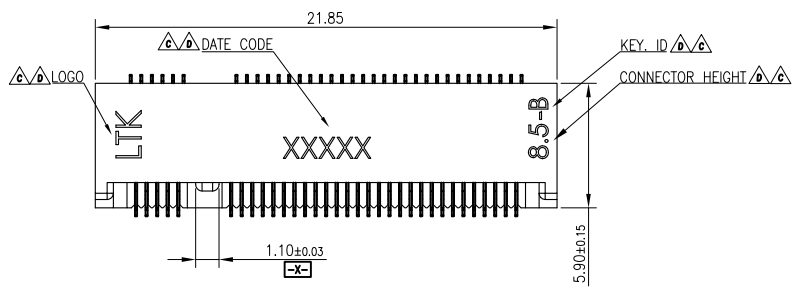
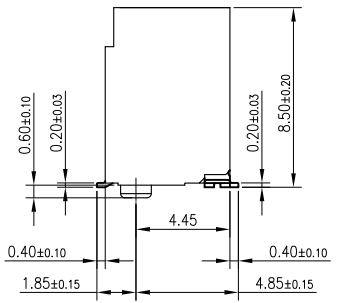
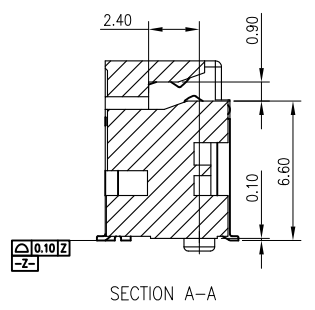
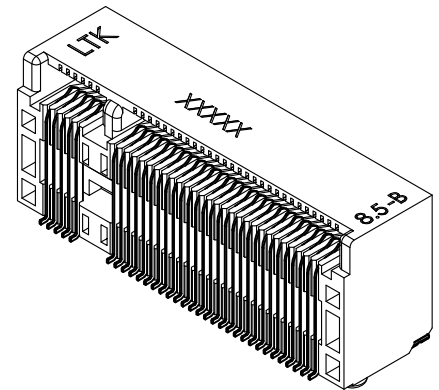
REV.	MODIFICATION	DATE	DRAW
C	ECN-2014014	2014.08.04	Michael
D	ECN-2014032	2014.10.22	Michael
E	ECN-2015003	2015.01.26	Michael

HALOGEN FREE **LEAD FREE**

NOTES:

- 1.MATERIAL:
HOUSING : THERMOPLASTIC , BLACK COLOR ,
FLAME RESISTANCE UL94-V0.
CONTACT : COPPER ALLOY
MOUNTING EAR : STAINLESS STEEL
- 2.FINISHED:
CONACTS : GOLD PLATING ON CONTACT AREA
GOLD FLASH ON THE SOLDER AREA.
△ 50~150u" NICKEL PLATING OVER ALL.
MOUNTING EAR : 100u" Min. MATTE TIN PLATING OVER ALL
△ 50~150u" NICKEL UNDER PLATED OVER ALL.
- 3.PART NUMBER:
NXSB0-S67XX-XX85
F: REEL W:32.0mm
△ A: REEL W:44.0mm
KEY ID: X0
BO : SINGLE B KEY
XX:CONTACT AREA
GOLD PLATING
△ 01 : GOLD FLASH
10 : 10u" Min

- XX : CONNECTOR HEIGHT
85 : 8.50mm
- PACKING
TP : TAPE REEL
TS : TAPE REEL △
(REVERSE DIRECTION)

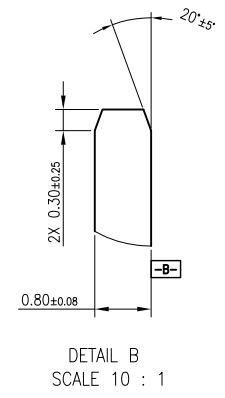
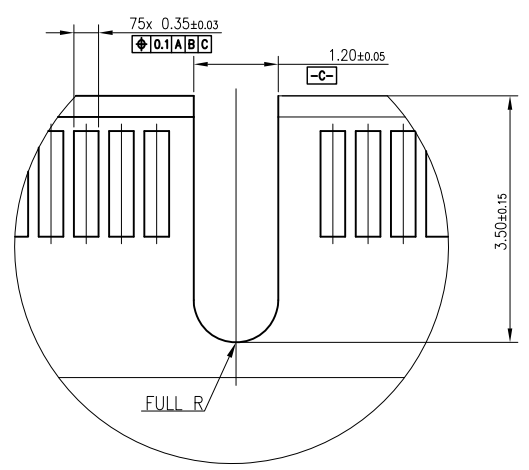
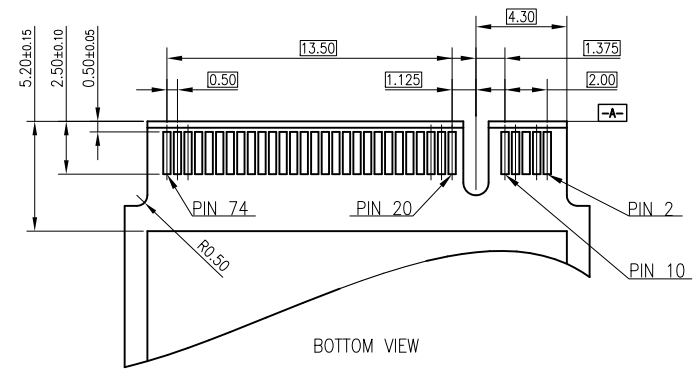
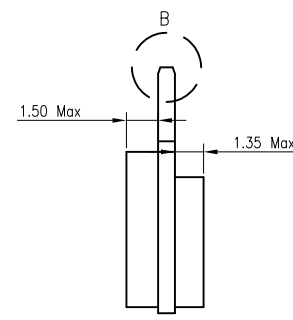
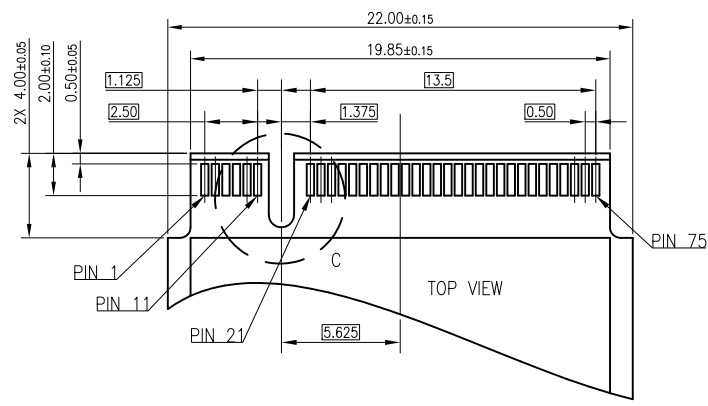


DIMENSION IN mm [Inch]		PROD. SPEC. SP-NAXXXL1
TOLERANCE UNLESS OTHERWISE SPECIFIED		PKG. SPEC. N/A △
.X±0.35	X:± 2"	APR. Tony 2015.01.26
.XX±0.25	.X:±	CHK. Andy 2015.01.26
.XXX±0.15	.XX:±	DRA. Michael 2015.01.26

ARGOSY RESEARCH INC.			
TITLE: M.2(NGFF) CARD CONNECTOR 8.5H B KEY			
FILE NO. N/A	DWG NO. NXSB0-S67XX-XX85 △		
PROJ.	CUSTOMER DRAWING		
SIZE A4	SCALE 1:1	SHEET 1/3	REV. E C

REV.	MODIFICATION	DATE	DRAW
C	ECN-2014014	2014.08.04	Michael
D	ECN-2014032	2014.10.22	Michael
E	ECN-2015003	2015.01.26	Michael

HALOGEN FREE LEAD FREE



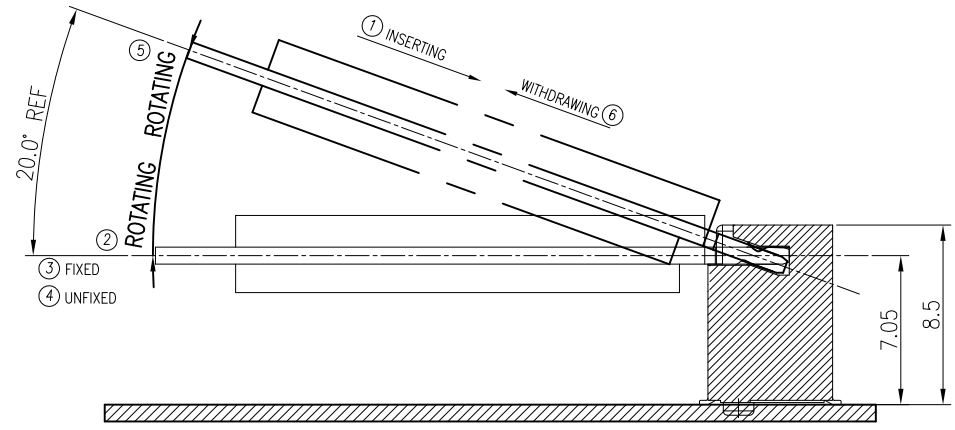
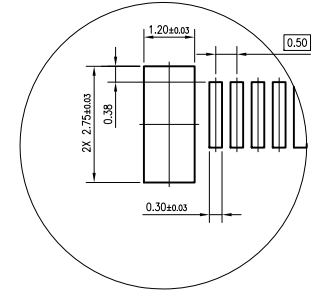
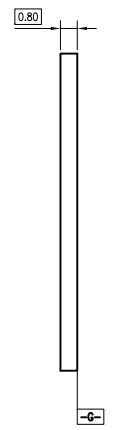
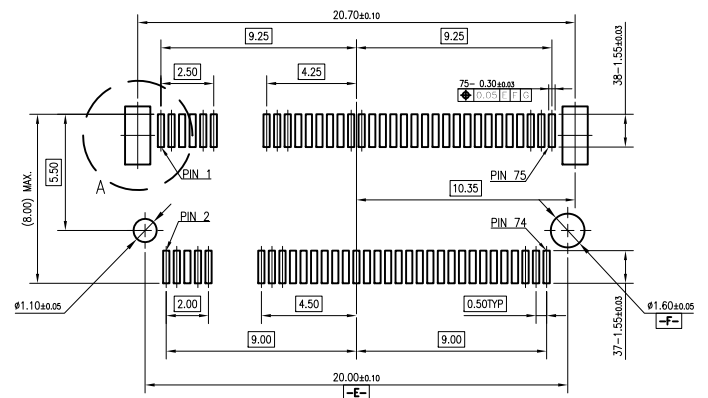
DIMENSION IN mm [Inch]		PROD. SPEC. SP-NAXXXL1	ARGOSY RESEARCH INC.		
TOLERANCE UNLESS OTHERWISE SPECIFIED		PKG. SPEC. N/A			
.X±0.35	X.*± 2"	APR. Tony 2015.01.26	TITLE: M.2(NGFF) CARD CONNECTOR 8.5H B KEY		
.XX±0.25	.X.*±	CHK. Andy 2015.01.26	FILE NO. N/A	DWG NO. NXSBO-S67XX-XX85	
.XXX±0.15	.XX.*±	DRA. Michael 2015.01.26	PROJ.	CUSTOMER DRAWING	
		SIZE A4	SCALE 1:1	SHEET 2/3	REV. E C

DETAIL C
SCALE 10 : 1

DETAIL B
SCALE 10 : 1

REV.	MODIFICATION	DATE	DRAW
C	ECN-2014014	2014.08.04	Michael
D	ECN-2014032	2014.10.22	Michael
E	ECN-2015003	2015.01.26	Michael

HALOGEN FREE LEAD FREE



MATING: ① INSERTING → ② ROTATING → ③ FIXED
 UNMATING: ④ UNFIXED → ⑤ ROTATING → ⑥ WITHDRAWING

DIMENSION IN mm [Inch]		PROD. SPEC. SP-NAXXXL1	ARGOSY RESEARCH INC.		
TOLERANCE UNLESS OTHERWISE SPECIFIED		PKG. SPEC. N/A			
.X±0.35	X.*± 2'	APR. Tony 2015.01.26	TITLE: M.2(NGFF) CARD CONNECTOR 8.5H B KEY		
.XX±0.25	.X.*±	CHK. Andy 2015.01.26	FILE NO. N/A	DWG NO. NXSB0-S67XX-XX85	
.XXX±0.15	.XX.*±	DRA. Michael 2015.01.26	PROJ.	CUSTOMER DRAWING	
			SIZE A4	SCALE 1:1	SHEET 3/3
			REV. E	C	

1 2 3 4 5 6 7 8

A

B

C

D

E

F

A

B

C

D

E

F

1 2 3 4 5 6 7 8 RD-102-15-01

X-ON Electronics

Largest Supplier of Electrical and Electronic Components

Click to view similar products for [Standard Card Edge Connectors](#) category:

Click to view products by [Argosy](#) manufacturer:

Other Similar products are found below :

[CR7E-30DB-3.96E\(72\)](#) [6565204-6](#) [1437274-4](#) [EBT15622B2X](#) [1-582587-1](#) [284-0102-12100](#) [286-0052-12101A](#) [306022901000000](#) [307-012-502-202](#) [307-056-520-300](#) [A6D22DS29C2](#) [1926088-2](#) [287-0032-12101](#) [345-060-559-303](#) [392-008-559-201](#) [534671-1](#) [341-240-317](#) [345-044-500-300](#) [346-240-318](#) [387-012-523-300](#) [395-100-524-300](#) [09-07-2032](#) [10035388-802LF](#) [10115859-011LF](#) [10122859-009LF](#) [101269333204245CLF](#) [530555-1](#) [66925-516LF](#) [5145409-2](#) [73726-0005](#) [66308-1](#) [5036A30](#) [PEC-07-02-T-S-A](#) [346-014-520-801](#) [KSLX-62-BR](#) [307-048-502-202](#) [CE100F26-7-C](#) [CE100F28-3-D](#) [CE100F28-4-D](#) [CE156F18-9-C](#) [CE156F22-5-D](#) [CE156F22-9-C](#) [CT100F22-2-D](#) [CT100F22-3-D](#) [CT100F24-2-D](#) [CT100F24-3-D](#) [CT100F24-6-C](#) [CT156F22-4-D](#) [MLSS100-12-C](#) [MLSS100-16-C](#)