

REV.	MODIFICATION	DATE	DRAW
A	INITIAL RELEASE	2015.10.27	Vincent

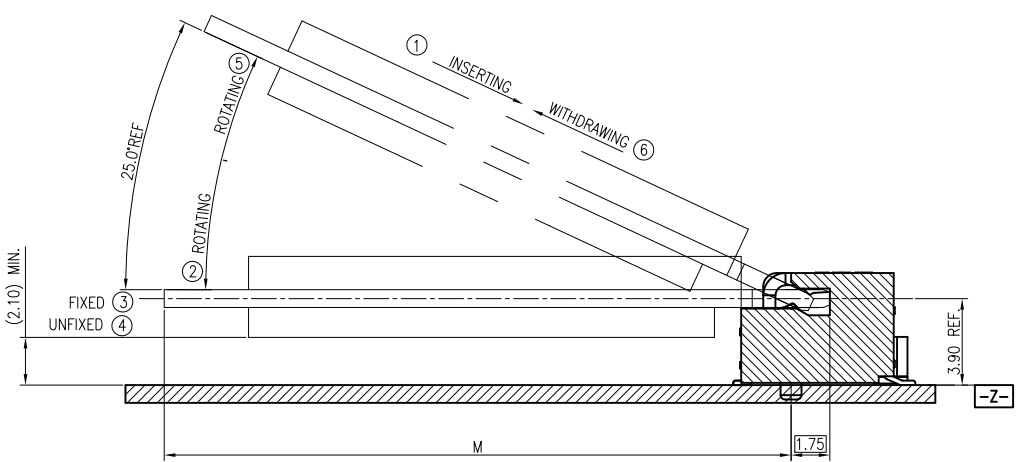
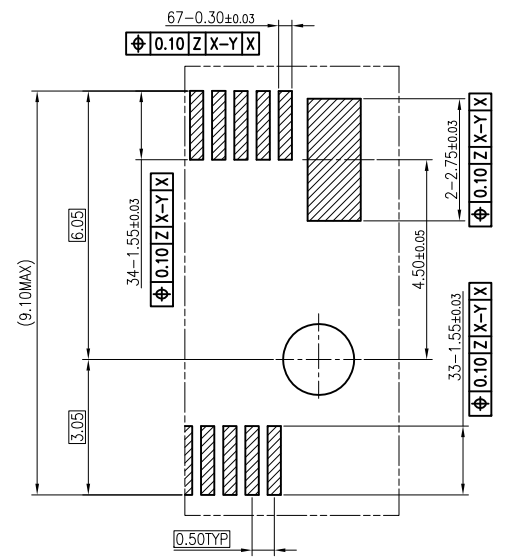
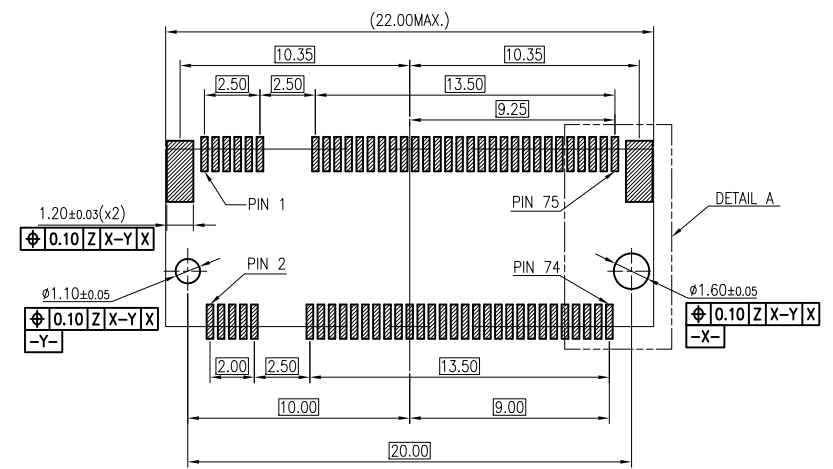
HALOGEN FREE **LEAD FREE**

NOTES:
 1.MATERIAL:
 HOUSING: THERMOPLASTIC, BLACK COLOR, FLAME RESISTANCE UL94-V0.
 CONTACT: COPPER ALLOY.
 SOLDER PEGS: COPPER ALLOY.
 2.FINISHED:
 CONTACTS: GOLD PLATING ON CONTACT AREA.(SEE P/N)
 1u"~3u" AU ON THE SOLDER AREA.
 50~150u" NICKEL PLATING OVER ALL.
 SOLDER PEGS: 50~120u" MATTE TIN PLATING OVER ALL.
 50~120u" NICKEL UNDER PLATED OVER ALL.
 3.MSL LEVEL:
 MSL(MOISTURE SENSITIVITY LEVEL)=1.
 4.PART NUMBER:
 NXSB0-S67XX-XX50X
 F: REEL W:32.0mm
 A: REEL W:44.0mm
 0: Number Zero
 XX: CONTACT AREA GOLD PLATING
 01: Gold Flash
 05: 5U"Min.
 10: 10U"Min.
 15: 15U"Min.
 20: 20U"Min.
 30: 30U"Min.
 No: Have LTK Logo
 +: No LTK Logo
 XX: CONNECTOR HEIGHT
 50: 5.00mm
 PACKING
 TP: TAPE REEL(NORMAL DIRECTION)
 TS: TAPE REEL(REVERSE DIRECTION)

DIMENSION IN mm [Inch]	PROD. SPEC. SP-NXXXXL2	ARGOSY RESEARCH INC.	TITLE: M.2(NGFF) CARD CONNECTOR B KEY 5.0H		
TOLERANCE UNLESS OTHERWISE SPECIFIED	PKG. SPEC. PK-NXSXX-XXX		FILE NO. ARG-156	DWG NO. NXSB0-S67XX-XX50X	
.X±0.35 X.*± 1*	APR. Tony 2015.10.27	PROJ.	CUSTOMER DRAWING		
.XX±0.25 .X.*±	CHK. Leon 2015.10.27	SIZE A4	SCALE 1:1	SHEET 1/3	REV. A C
.XXX± .XX.*±	DRA. Vincent 2015.10.27	RD-102-15-01			

REV.	MODIFICATION	DATE	DRAW
A	INITIAL RELEASE	2015.10.27	Vincent

HALOGEN FREE **LEAD FREE**



- HOW TO MATE AND UNMATE**
- MATE: ① INSERTING → ② ROTATING → ③ FIXED
- UNMATING: ④ UNFIXED → ⑤ ROTATING → ⑥ WITHDRAWING

LINKTEK

DIMENSION IN mm [Inch]	PROD. SPEC. SP-NXXXXL2
TOLERANCE UNLESS OTHERWISE SPECIFIED	PKG. SPEC. PK-NXSXX-XXX
.X±0.35 X:± 1*	APR. Tony 2015.10.27
.XX±0.25 .X*±	CHK. Leon 2015.10.27
.XXX± .XX*±	DRA. Vincent 2015.10.27

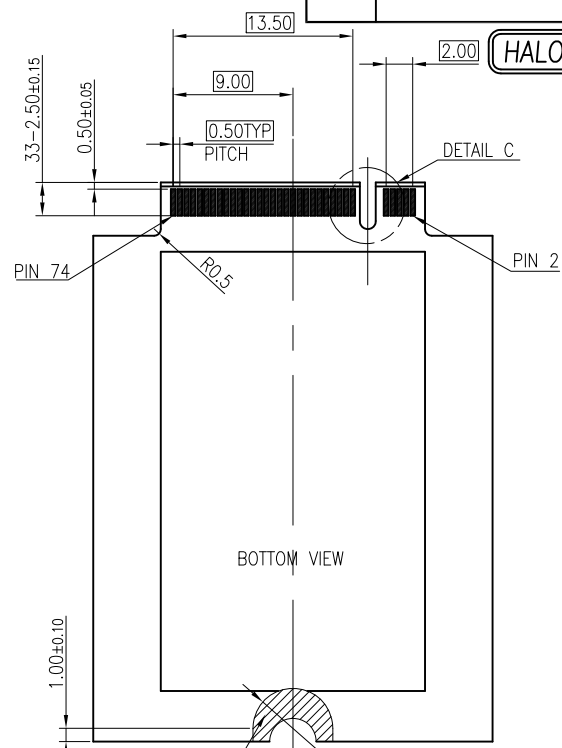
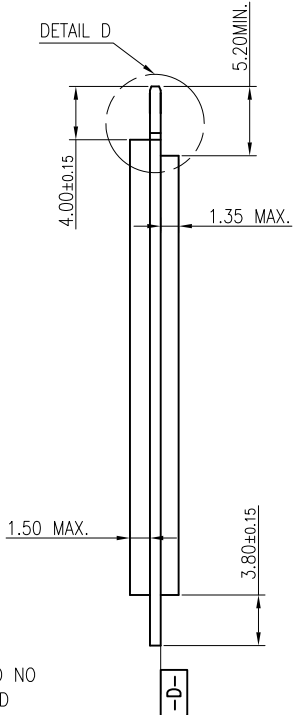
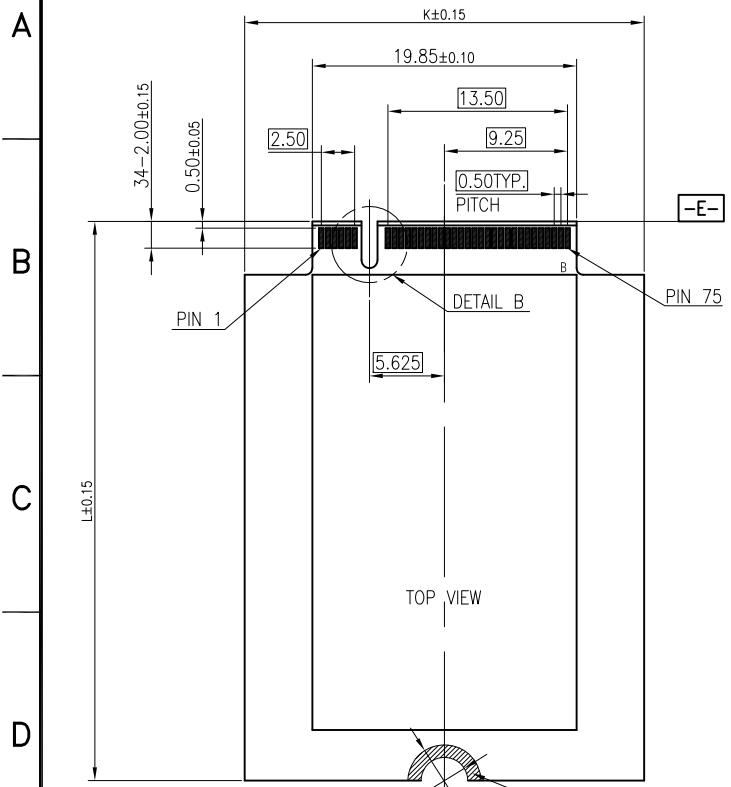
ARGOSY RESEARCH INC.

TITLE: M.2(NGFF) CARD CONNECTOR B KEY 5.0H

FILE NO. ARG-156	DWG NO. NXSBO-S67XX-XX50X
PROJ.	CUSTOMER DRAWING
SIZE A4 SCALE 1:1	SHEET 2/3 REV. A C

REV.	MODIFICATION	DATE	DRAW
A	INITIAL RELEASE	2015.10.27	Vincent

HALOGEN FREE **LEAD FREE**

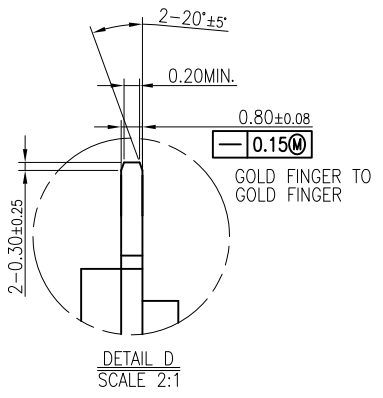
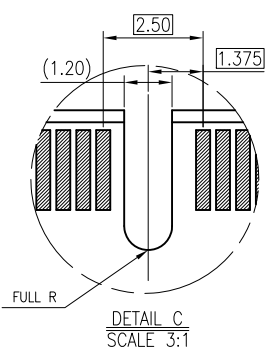
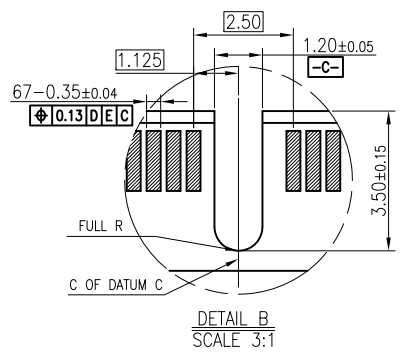


MECHANICAL GND PAD NO COMPONENTS ALLOWED

MECHANICAL GND PAD NO COMPONENTS ALLOWED

30.00	110.00	108.25
	80.00	78.25
	60.00	58.25
22.00	42.00	40.25
	30.00	28.25
DIM. K	DIM. L	DIM. M

LINKTEK



DIMENSION IN mm [Inch]		PROD. SPEC. SP-NXXXXL2
TOLERANCE UNLESS OTHERWISE SPECIFIED		PKG. SPEC. PK-NXSXX-XXX
.X±0.35	X'± 1'	APR. Tony 2015.10.27
.XX±0.25	.X'±	CHK. Leon 2015.10.27
.XXX±	.XX'±	DRA. Vincent 2015.10.27

ARGOSY RESEARCH INC.

TITLE: M.2(NGFF) CARD CONNECTOR B KEY 5.0H

FILE NO. ARG-156 DWG NO. NXSBO-S67XX-XX50X

PROJ. CUSTOMER DRAWING

SIZE A4 SCALE 1:1 SHEET 3/3 REV. A C

X-ON Electronics

Largest Supplier of Electrical and Electronic Components

Click to view similar products for [Standard Card Edge Connectors](#) category:

Click to view products by [Argosy](#) manufacturer:

Other Similar products are found below :

[CR7E-30DB-3.96E\(72\)](#) [6364499-1](#) [6565204-6](#) [147889-1](#) [EBT15622B2X](#) [1-582587-1](#) [284-0102-12100](#) [286-0052-12101A](#) [306022901000000](#)
[307-012-502-202](#) [307-056-520-300](#) [A6D22DS29C2](#) [1926088-2](#) [2129318-1](#) [287-0032-12101](#) [345-060-559-303](#) [392-008-559-201](#) [534671-1](#)
[341-240-317](#) [345-044-500-300](#) [346-240-318](#) [387-012-523-300](#) [395-100-524-300](#) [09-07-2032](#) [10035388-802LF](#) [10115859-011LF](#) [10122859-](#)
[009LF](#) [101269333204245CLF](#) [530555-1](#) [66925-516LF](#) [5145409-2](#) [73726-0005](#) [66308-1](#) [5036A30](#) [PEC-07-02-T-S-A](#) [346-014-520-801](#)
[KSLX-62-BR](#) [307-048-502-202](#) [CE100F26-7-C](#) [CE100F28-3-D](#) [CE100F28-4-D](#) [CE156F18-9-C](#) [CE156F22-5-D](#) [CE156F22-9-C](#) [CT100F22-](#)
[2-D](#) [CT100F22-3-D](#) [CT100F24-2-D](#) [CT100F24-3-D](#) [CT100F24-6-C](#) [CT156F22-4-D](#)