

REV.	MODIFICATION	DATE	DRAW
A	INITIAL RELEASE	2013.07.25	Coco

HALOGEN FREE LEAD FREE

- NOTES:
- MATERIAL:
HOUSING: THERMOPLASTIC, BLACK COLOR, FLAME RESISTANCE UL94-V0.
CONTACT: COPPER ALLOY.
SOLDER PEGS: COPPER ALLOY
 - FINISHED:
CONTACTS: GOLD PLATING ON CONTACT AREA.(SEE P/N)
1u~3u" Au ON THE SOLDER AREA.
50~150u" NICKEL PLATING OVER ALL.
SOLDER PEGS: 50~150u" MATTE TIN PLATING OVER ALL.
50~150u" NICKEL UNDER PLATED OVER ALL.
 - MSL LEVEL:
MSL(MOISTURE SENSIVITY LEVEL)=1.
 - PART NUMBER:
NXSE0-S67XX-XXH4

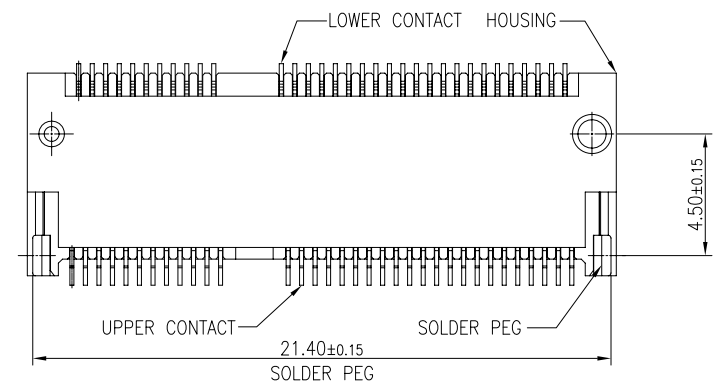
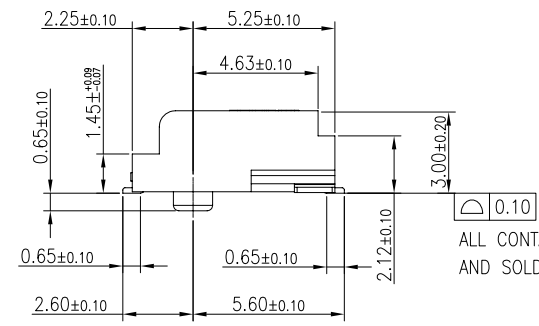
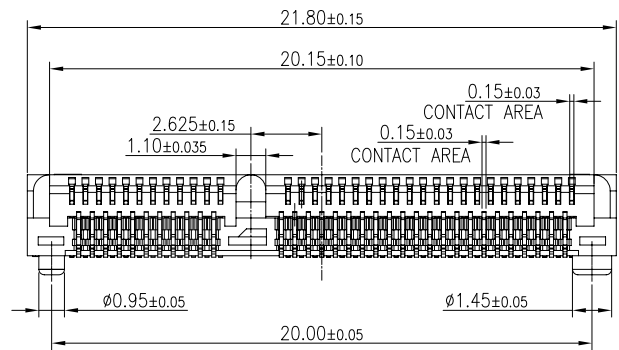
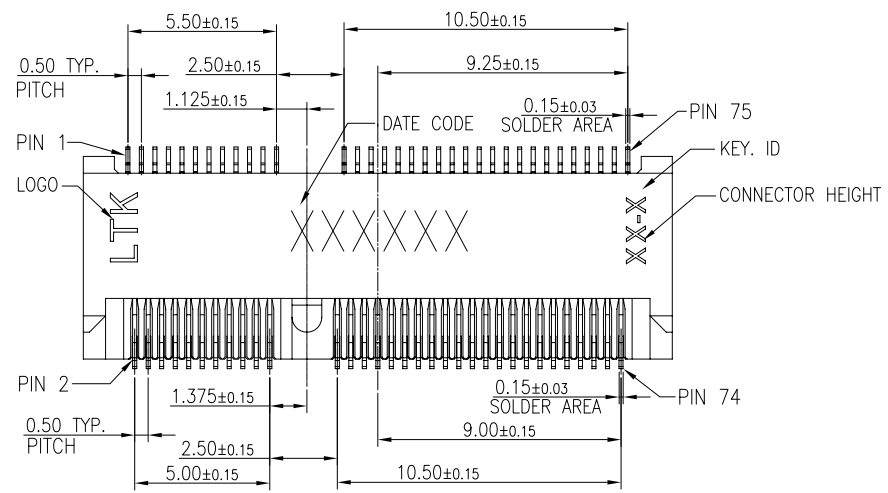
F: REEL W:32.0mm
A: REEL W:44.0mm

XX: CONTACT AREA
H4: 3.00mm

PACKING
TR:TRAY
TP:TAPE REEL
TS:TAPE REEL
(REVERSE DIRECTION)

01:Gold Flash
05:5U" Min.
10:10U"Min.
15:15U"Min.
20:20U"Min.
30:30U"Min.

ALL CONTACTS TAIL AND SOLDER PEGS

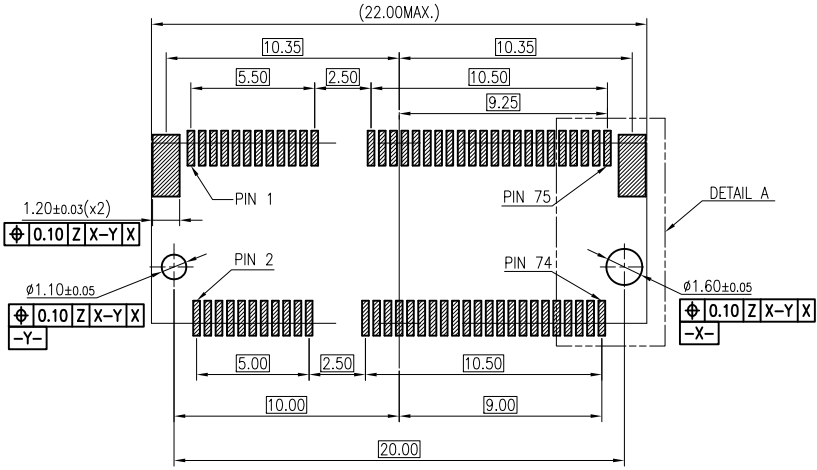


LINKTEK

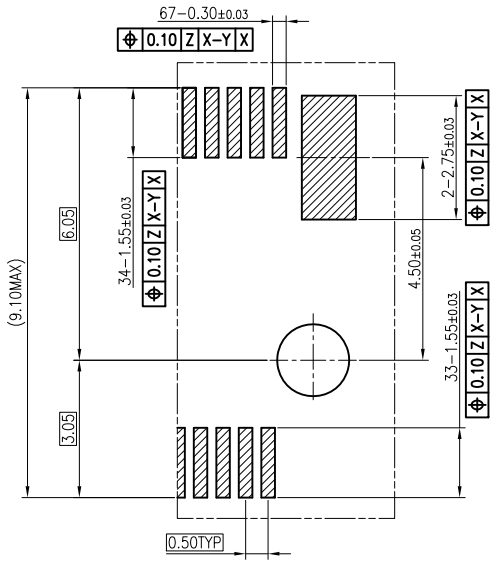
DIMENSION IN mm [Inch]		PROD. SPEC. SP-NFXXXL1	ARGOSY RESEARCH INC.	
TOLERANCE UNLESS OTHERWISE SPECIFIED		PKG. SPEC. N/A		
.X±0.35	X.*±1*	APR. Tony 2013.07.25	TITLE: M.2(NGFF) CARD CONNECTOR E KEY 3.0H	
.XX±0.25	.X.*±	CHK. Andy 2013.07.25	FILE NO. ARG-156	DWG NO. NXSE0-S67XX-XXH4
.XXX±	.XX.*±	DRA. Coco 2013.07.25	CUSTOMER DRAWING	
SIZE A4	SCALE 1:1	SHEET 1/3	REV. A	C

REV.	MODIFICATION	DATE	DRAW
A	INITIAL RELEASE	2013.07.25	Coco

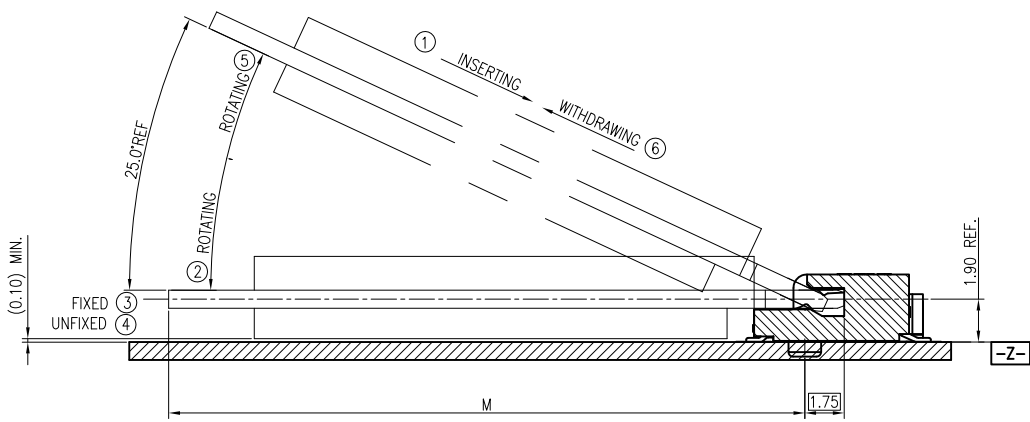
HALOGEN FREE LEAD FREE



RECOMMEND PCB LAYOUT(TOP VIEW)
(DEFAULT TOLERANCE:±0.05mm)



DETAIL A
SCALE 2:1



HOW TO MATE AND UNMATE

MATE: ① INSERTING → ② ROTATING → ③ FIXED

UNMATING: ④ UNFIXED → ⑤ ROTATING → ⑥ WITHDRAWING

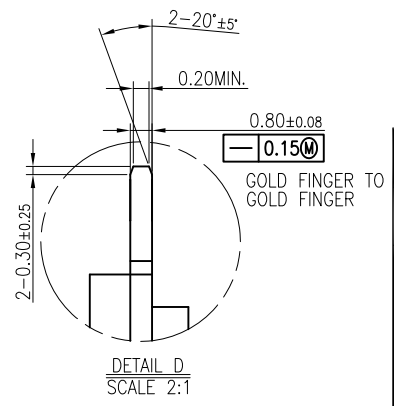
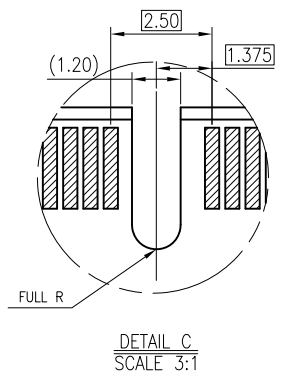
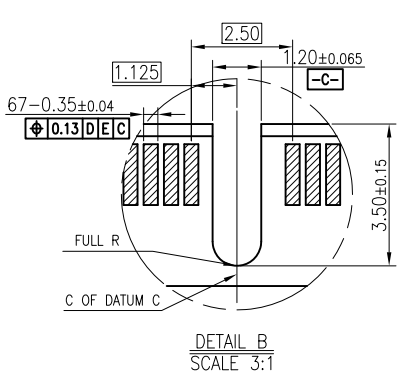
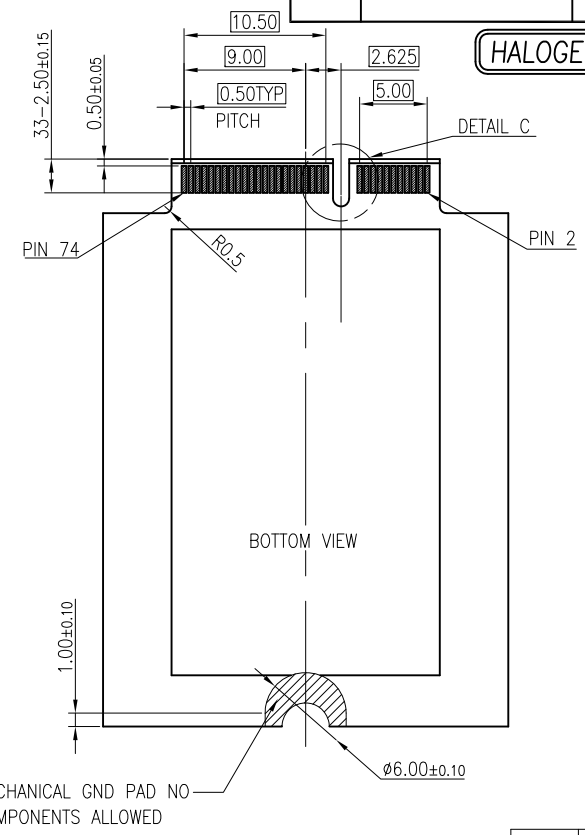
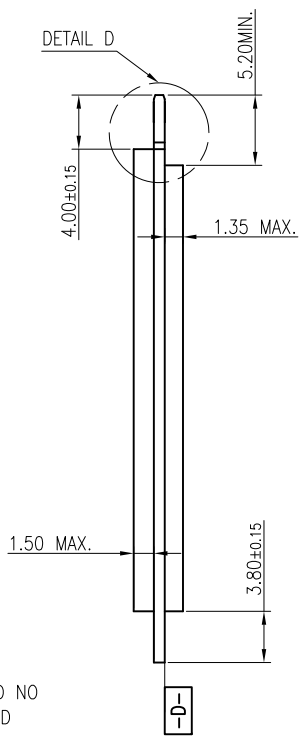
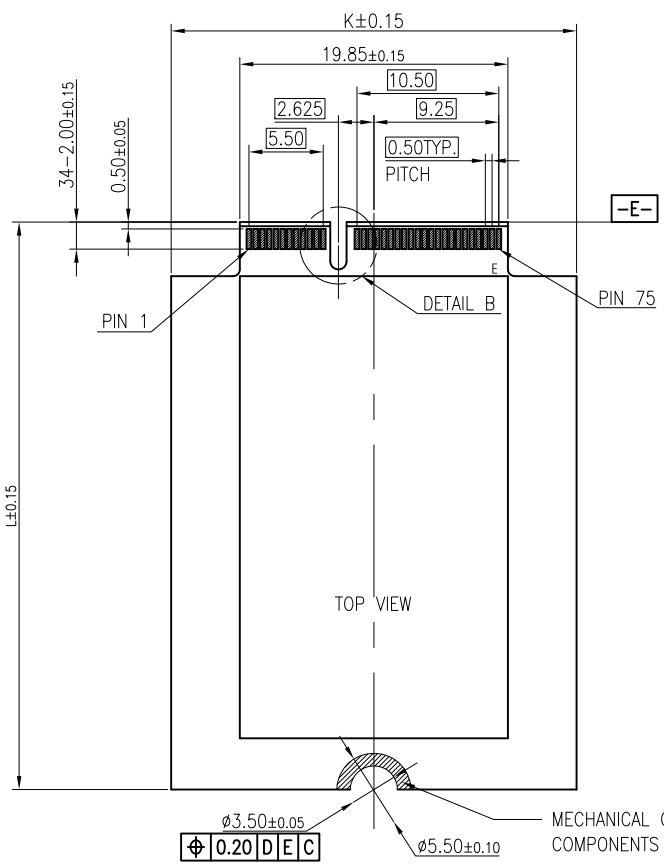
MODULE SEATING PLANT TO ALIGNMENT POST

LINKTEK

DIMENSION IN mm [Inch]		PROD. SPEC. SP-NFXXXL1	ARGOSY RESEARCH INC.	
TOLERANCE UNLESS OTHERWISE SPECIFIED		PKG. SPEC. N/A		
.X±0.35	X.*± 1*	APR. Tony 2013.07.25	TITLE: M.2(NGFF) CARD CONNECTOR E KEY 3.0H	
.XX±0.25	.X.*±	CHK. Andy 2013.07.25	FILE NO. ARG-156	DWG NO. NXSE0-S67XX-XXH4
.XXX±	.XX.*±	DRA. Coco 2013.07.25	CUSTOMER DRAWING	
SIZE A4	SCALE 1:1	SHEET 2/3	REV. A	C

REV.	MODIFICATION	DATE	DRAW
A	INITIAL RELEASE	2013.07.25	Coco

HALOGEN FREE **LEAD FREE**



30.00	110.00	108.25
	80.00	78.25
22.00	60.00	58.25
	42.00	40.25
	30.00	28.25
DIM. K	DIM. L	DIM. M

LINKTEK

DIMENSION IN mm [Inch]		PROD. SPEC. SP-NFXXXL1
TOLERANCE UNLESS OTHERWISE SPECIFIED		PKG. SPEC. N/A
.X±0.35	X:± 1°	APR. Tony 2013.07.25
.XX±0.25	.X°±	CHK. Andy 2013.07.25
.XXX±	.XX°±	DRA. Coco 2013.07.25

ARGOSY RESEARCH INC.

TITLE: M.2(NGFF) CARD CONNECTOR E KEY 3.0H

FILE NO. ARG-156 DWG NO. NXSE0-S67XX-XXH4

PROJ. CUSTOMER DRAWING

SIZE A4 SCALE 1:1 SHEET 3/3 REV. A C

X-ON Electronics

Largest Supplier of Electrical and Electronic Components

Click to view similar products for [Standard Card Edge Connectors](#) category:

Click to view products by [Argosy](#) manufacturer:

Other Similar products are found below :

[CR7E-30DB-3.96E\(72\)](#) [6364499-1](#) [6565204-6](#) [147889-1](#) [EBT15622B2X](#) [1-582587-1](#) [284-0102-12100](#) [286-0052-12101A](#) [306022901000000](#)
[307-012-502-202](#) [307-056-520-300](#) [A6D22DS29C2](#) [1926088-2](#) [2129318-1](#) [287-0032-12101](#) [345-060-559-303](#) [392-008-559-201](#) [534671-1](#)
[341-240-317](#) [345-044-500-300](#) [346-240-318](#) [387-012-523-300](#) [395-100-524-300](#) [09-07-2032](#) [10035388-802LF](#) [10115859-011LF](#) [10122859-](#)
[009LF](#) [101269333204245CLF](#) [530555-1](#) [66925-516LF](#) [5145409-2](#) [73726-0005](#) [66308-1](#) [5036A30](#) [PEC-07-02-T-S-A](#) [346-014-520-801](#)
[KSLX-62-BR](#) [307-048-502-202](#) [CE100F26-7-C](#) [CE100F28-3-D](#) [CE100F28-4-D](#) [CE156F18-9-C](#) [CE156F22-5-D](#) [CE156F22-9-C](#) [CT100F22-](#)
[2-D](#) [CT100F22-3-D](#) [CT100F24-2-D](#) [CT100F24-3-D](#) [CT100F24-6-C](#) [CT156F22-4-D](#)