



# Series 154 Yellow Streak Jumpers on 0.100 [2.54] Centers

## FEATURES

- Maintain 0.100 [2.54] Conductor Spacing with Pitch Bars

## GENERAL SPECIFICATIONS

- PITCH BAR: Black UL 94V-0 glass-filled 4/6 Nylon
- CABLE INSULATION: UL Style 1061 Polyvinyl Chloride (PVC), semi-rigid
- LAMINATE: Clear PVC, Self-extinguishing
- CONDUCTORS: 24-AWG, tinned, solid Cu
- CABLE CURRENT RATING: 1 amp at 10°C [50°F] above ambient
- CABLE VOLTAGE RATING: 300V
- CABLE TEMPERATURE RATING: 176°F [80°C]

## MOUNTING CONSIDERATIONS

- SUGGESTED PCB HOLE SIZE: 0.033 ± 0.002 [0.86 ± 0.05] dia.



## ORDERING INFORMATION

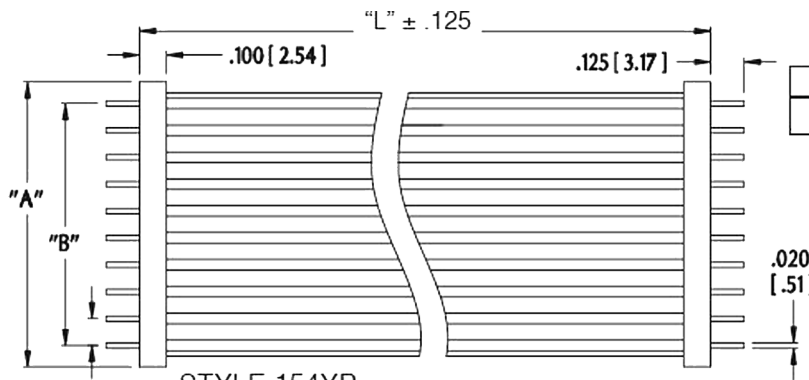
**XX-XXXX-XXXX**

Series  
 154YS = Without Pitch Bars  
 154YP = With Pitch Bars

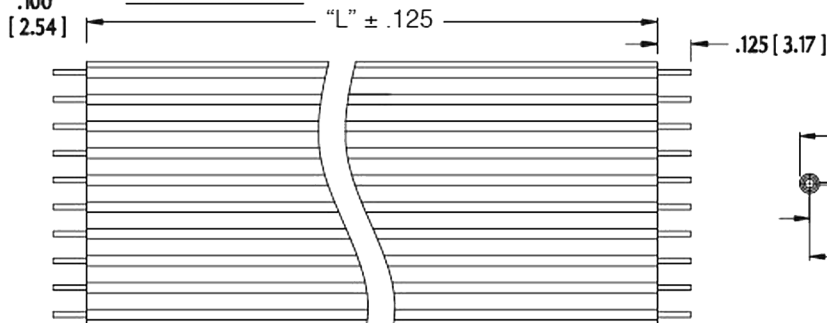
Length "L" (inches)  
 2.00" = 002 (min)  
 2.50" = 002.5  
 3.00" = 003  
 Etc.

No. of Conductors  
 (4 thru 22)

No. of Conductors	Minimum Insulation Length
4 thru 22	2.0" [50.8]

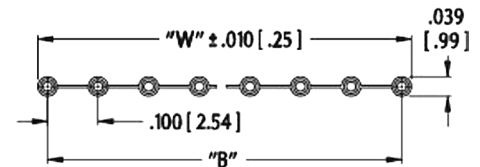


STYLE 154YP



STYLE 154YS

## CABLE DETAIL



ALL DIMENSIONS: INCHES [MILLIMETERS]  
 ALL TOLERANCES: ±0.005 [0.13] UNLESS OTHERWISE SPECIFIED  
 NOT TO BE USED FOR HIGH-FLEX APPLICATIONS  
 FOR HIGH-FLEX APPLICATIONS, SEE DATA SHEETS 11005 & 11014  
 CONSULT FACTORY FOR OTHER SIZES AND CONFIGURATIONS

CUSTOMIZATION: ARIES SPECIALIZES IN CUSTOM DESIGN AND PRODUCTION.  
 SPECIAL MATERIALS, PLATINGS, SIZES, AND CONFIGURATIONS CAN BE  
 FURNISHED, DEPENDING ON QUANTITY.

ARIES RESERVES THE RIGHT TO CHANGE PRODUCT GENERAL SPECIFICATIONS  
 WITHOUT NOTICE

PRINTOUTS OF THIS DOCUMENT MAY BE OUT-OF-DATE AND SHOULD BE  
 CONSIDERED UNCONTROLLED



**ARIES**  
 ELECTRONICS, INC.

2609 Bartram Road • Bristol, PA 19007-6810 USA  
 TEL 215-781-9956 • FAX 215-781-9845  
 WWW.ARIESELEC.COM • INFO@ARIESELEC.COM



11015  
 Rev. 5.5  
 1 of 1

## X-ON Electronics

Largest Supplier of Electrical and Electronic Components

*Click to view similar products for [FFC / FPC Jumper Cables](#) category:*

*Click to view products by [Aries](#) manufacturer:*

Other Similar products are found below :

[8-1474659-7](#) [FSK-21.5A-20](#) [FSK-23A](#) [FSK-72.5KD-17](#) [FSN-14.5A-6](#) [FSN-26A](#) [FST-2.75A](#) [9-1474653-6](#) [1474494-5](#) [1474659-1](#) [1474448-1](#)  
[1557385-1](#) [2-1437211-4](#) [22034.1](#) [2-6447164-4](#) [1-6437133-3](#) [1-6437151-8](#) [1-6437159-8](#) [FSK-11A](#) [FSN-21.5A-32](#) [FSN-24A](#) [FSN-28A](#) [FSP-](#)  
[23A-11](#) [2-1437181-9](#) [4-1437186-9](#) [4-1474659-8](#) [3-1437144-3](#) [3-1474654-4](#) [4-1437180-7](#) [5-1437166-5](#) [5-1474653-2](#) [5-1474654-9](#) [1-](#)  
[1474671-7](#) [1-1474612-2](#) [6-6437158-0](#) [5-1474653-4](#) [D130361-5](#) [6-1437180-7](#) [2-1474640-4](#) [1474544-1](#) [7-6474640-3](#) [8-1474566-1](#) [8-](#)  
[1474644-8](#) [1-1437164-8](#) [8-1474653-5](#) [9-1474653-5](#) [151680990](#) [08-015-173](#) [5-1437209-2](#) [1437190-1](#)