



Series SP200 & SJ200 0.040 [1.02] Shorting Plugs and Jacks

FEATURES

- These Shorting Plugs and Jacks are used in conjunction with Aries DIP Strips, available separately, for your programming needs. Consult [Data Sheet 16007](#) and [Data Sheet 16008](#) for details.
- Convenient handle for insertion and withdrawal.
- Jacks available in both RoHS and Sn/Pb versions

SHORTING JACK (SJ200) SPECIFICATIONS

- BODY MATERIAL: Black UL 94V-0 Glass-filled 4/6 Nylon
- PIN BODY: Brass 360 1/2-hard per UNS C36000 ASTM-B16-00
- PIN BODY PLATING: 200µ [5.08µm] min. Sn per ASTM B545 Type 1 over 100µ [2.54µm] min. Ni per SAE-AMS-QQ-N-290 -OR- 200µ [5.08µm] min. 93/7 Sn/Pb per ASTM B545 over 100µ [2.54µm] min. Ni per SAE-AMS-QQ-N-290
- 4-FINGER COLLET CONTACT: Be-Cu per UNS C17200 ASTM-B194-01
- CONTACT PLATING: 30µ [0.76µm] min. Au per MIL-G-45204 over 50µ [1.27µm] min. Ni per SAE-AMS-QQ-N-290
- CONTACT CURRENT RATING: 8 amps
- OPERATING TEMPERATURE: -67°F to 221°F [-55° to 105°C]
- INSERTION FORCE: 240 grams/pin
- WITHDRAWAL FORCE: 130 grams/pin
- NORMAL FORCE: 210 grams/pin, based on a 0.040 [1.02] dia. test lead
- ACCEPTS LEADS: 0.032-0.047 [0.81-1.19] in dia., 0.130-0.180 [3.30- 4.56] long

SHORTING PLUG (SP200) SPECIFICATIONS

- BODY MATERIAL: Black UL 94V-0 Glass-filled 4/6 Nylon
- PIN: Brass 260 1/4- or 1/2-hard
- PIN PLATING: 10µ [0.25µm] Au per MIL-G-45204 over 50µ [1.27µm] Ni per SAE-AMS-QQ-N-290
- CONTACT CURRENT RATING: 5 amps
- OPERATING TEMPERATURE: -67°F to 221°F [-55° to 105°C]



CUSTOMIZATION: In addition to the standard products shown on this page, Aries specializes in custom design and production. Special materials, platings, sizes, and configurations can be furnished, depending on the quantity. **NOTE:** Aries reserves the right to change product general specifications without notice.

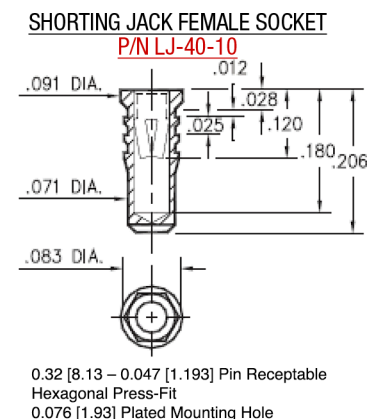
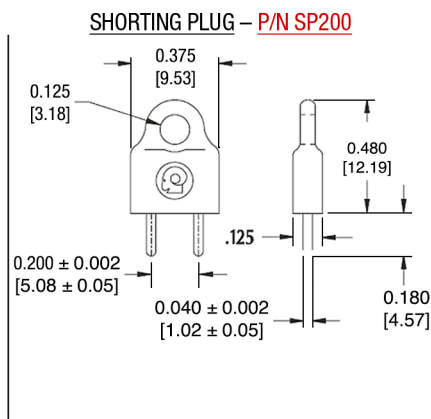
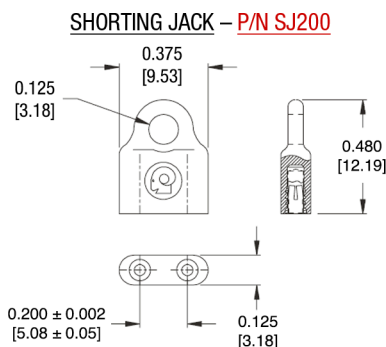
ORDERING INFORMATION

JACKS – Specify P/N SJ200 (RoHS) or P/N SJ200-TL (Sn/Pb) which are used with Aries MALE DIP STRIPS, Series M40, see [DATA SHEET 16007](#) for details.

PLUGS – Specify P/N SP200 which is used with Aries FEMALE DIP STRIPS, Series F40, see [DATA SHEET 16008](#) for details.

ALL DIMENSIONS IN INCHES [MILLIMETERS]

ALL TOLERANCES ±0.005 [±0.13] UNLESS OTHERWISE SPECIFIED



Bristol, PA 19007-6810 USA
TEL (215) 781-9956 • FAX (215) 781-9845
WWW.ARIESELEC.COM • INFO@ARIESELEC.COM



16009
1 of 1
Rev. 1.3

X-ON Electronics

Largest Supplier of Electrical and Electronic Components

Click to view similar products for [IC & Component Sockets](#) category:

Click to view products by [Aries](#) manufacturer:

Other Similar products are found below :

[0066-3-17-15-30-14-02-0](#) [670](#) [672](#) [673](#) [694-13-640-00-672-000](#) [712-93-120-41-001000](#) [714-93-104-31-018000](#) [8059-4G1-LF](#) [807-22-001-10-001101](#) [807-22-001-10-006101](#) [807-22-001-30-011101](#) [807-22-001-30-012101](#) [807-22-001-30-013101](#) [807-22-001-30-014101](#) [8-1437531-4](#) [8150-6P10](#) [833-93-034-10-001000](#) [851-41-006-10-001000](#) [851-43-008-20-001000](#) [851-43-014-20-001000](#) [851-93-006-20-001000](#) [851-93-010-20-001000](#) [853-43-020-10-001000](#) [86.010.0053.0](#) [116-43-308-41-007000](#) [PX-68LCC](#) [121-13-318-41-001000](#) [121-13-320-41-001000](#) [121-13-308-41-001000](#) [123-43-314-41-801000](#) [123-43-420-41-001000](#) [123-87-320-41-001101](#) [122-13-316-41-001000](#) [123-13-624-41-001000](#) [123-43-306-41-001000](#) [12-3513-11](#) [123-91-320-41-001000](#) [126-43-310-41-002000](#) [AKSUN 37V-T](#) [1437503-9](#) [1437504-1](#) [146-44-308-41-013000](#) [APO-320-G-T](#) [146-43-308-41-012000](#) [160-10-308-00-001000](#) [160-40-320-00-001000](#) [214-99-306-01-670800](#) [232-1270-02-0602](#) [2-382761-4](#) [2-5331677-4](#)