

## ADH700-48S28-6LS

**700 Watts  
Half-brick Converter**

**Total Power:** 700 Watts  
**Input Voltage:** 36 to 75 Vdc  
**# of Outputs:** Single

### Special Features

- Delivering up to 25A output
- Ultra-high efficiency 95.2% typ. at 100% load
- Wide input range: 36V ~ 75Vdc
- Excellent thermal performance
- No minimum load requirement
- Basic isolation
- High power density
- Low output noise
- RoHS Directive(EU) 2015/863 (RoHS 3.0)
- Remote control function
- Remote output sense
- Trim function: 50% ~118%
- Input under voltage lockout
- Output over current protection
- Output short circuit protection
- Output over voltage protection
- Over temperature protection
- Industry standard half-brick

### Safety

IEC/EN/UL/CSA 60950  
CE Mark  
UL/TUV  
Materials meet UL94, V-0  
flammability rating  
EN55032 Class B with external  
filter



## Product Descriptions

The ADH700-48S28-6LS is a single output DC-DC converter with standard half-brick outline and pin configuration. It delivers up to 25A output current with 28V output voltage. Ultra-high 95.2% efficiency and excellent thermal performance makes it an ideal choice for use in datacom and telecommunication applications. And baseplate operating temperature up to 100 °C.

## Applications

Telecom/ Datacom

## Model Numbers

Standard	Output Voltage	Structure	Remote ON/OFF logic	RoHS Status
ADH700-48S28-6LS	28Vdc	Baseplate threaded mounting hole	Negative	RoHS Directive(EU) 2015/863 (RoHS 3.0)
ADH700-48S28P-6LS	28Vdc	Baseplate threaded mounting hole	Positive	RoHS Directive(EU) 2015/863 (RoHS 3.0)

## Ordering information

ADH700	-	48	S	28	P	-	6	L
①		②	③	④	⑤		⑥	⑦

①	Model series	ADH: series name, 700: output power 700W
②	Input voltage	48: 36V ~ 75V input range, rated input voltage 48V
③	Output number	S: single output
④	Rated output voltage	28: 28V output
⑤	Remote ON/OFF logic	Default: negative logic; P: positive logic
⑥	Pin length	6: 3.8mm
⑦	RoHS status	L: RoHS Directive(EU) 2015/863 (RoHS 3.0)

## Options

None

## Electrical Specifications

### Absolute Maximum Ratings

Stress in excess of those listed in the “Absolute Maximum Ratings” may cause permanent damage to the power supply. These are stress ratings only and functional operation of the unit is not implied at these or any other conditions above those given in the operational sections of this TRN. Exposure to any absolute maximum rated condition for extended periods may adversely affect the power supply’s reliability.

Table 1. Absolute Maximum Ratings:

Parameter	Model	Symbol	Min	Typ	Max	Unit
Input Voltage Operating -Continuous Non-operating 100ms	All	$V_{IN,DC}$	-	-	80	Vdc
			-	-	100	Vdc
Maximum Output Power	All	$P_{O,max}$	-	-	700	W
Isolation Voltage <sup>1</sup> Input to output Input to metal Output to metal	All		-	-	1500	Vdc
			-	-	1500	Vdc
			-	-	500	Vdc
Ambient Operating Temperature	All	$T_A$	-40	-	+85	°C
Operating Baseplate Temperature	All	$T_{Baseplate}$	-40	-	+100	°C
Storage Temperature	All	$T_{STG}$	-55	-	+125	°C
Voltage at remote ON/OFF pin	All		-0.3	-	15	Vdc
Humidity (non-condensing) Operating	All		-	-	95	%

Note 1 - 1mA for 60s, slew rate of 1500V/10s.

## Input Specifications

Table 2. Input Specifications:

Parameter	Conditions <sup>1</sup>	Symbol	Min	Typ	Max	Unit	
Operating Input Voltage, DC	All	$V_{IN,DC}$	36	48	75	Vdc	
Input Under-voltage Lockout	Turn-on Voltage Threshold	$I_O = I_{O,max}$	$V_{IN,ON}$	32	-	35	Vdc
	Turn-off Voltage Threshold	$I_O = I_{O,max}$	$V_{IN,OFF}$	31	-	34	Vdc
	Lockout Voltage Hysteresis	$I_O = I_{O,max}$		1	-	3	Vdc
Maximum Input Current	$V_{IN,DC} = 36Vdc,$ $I_O = I_{O,max}$	$I_{IN,max}$	-	-	21.5	A	
Input Reflected Ripple Current	Through 12uH inductor; Figure 1		-	20	40	mA	
Recommended Input Fuse	Fast blow external fuse is recommended		-	-	30	A	
Recommended External Input Capacitance	Low ESR capacitor is recommended	$C_{IN}$	470	-	-	uF	
Operating Efficiency	$T_A=25\text{ }^\circ\text{C};$ Figure 9 $I_O = 100\%I_{O,max}$ $I_O = 50\%I_{O,max}$ $I_O = 20\%I_{O,max}$	$\eta$	93.5	95.2	-	%	
			94	95.7	-	%	
			90	92	-	%	

Note 1 -  $T_A = 25\text{ }^\circ\text{C}$ , airflow rate = 400 LFM,  $V_{in} = 48Vdc$ , nominal  $V_{out}$  unless otherwise noted.

## Output Specifications

Table 3. Output Specifications:

Parameter	Condition <sup>1</sup>	Symbol	Min	Typ	Max	Unit	
Factory Voltage Set Point (Standard option)	$I_O = 50\%I_{O,max}$	$V_O$	27.72	28.0	28.28	Vdc	
Output Voltage Line Regulation	All	$\pm V_O$	-	-	0.5	%	
			-	-	140	mV	
Output Voltage Load Regulation	All	$\pm V_O$	-	-	0.5	%	
			-	-	140	mV	
Output Voltage Temperature Regulation	All	$\%V_O$	-	-	0.02	$\%/^{\circ}C$	
Total Output Voltage Range	Over sample, line, load, temperature& life		27.2	28.0	28.8	Vdc	
Output Voltage Ripple and Noise, pk-pk	Measure with a 0.68uF output capacitor to 20MHz bandwidth; Figure 2	$V_O$	-	160	-	mV <sub>PK-PK</sub>	
Output Current	All	$I_O$	0	-	25	A	
Output DC Current-limit Inception <sup>2</sup>	All	$I_O$	26.5	-	35	A	
$V_O$ Load Capacitance <sup>3</sup>	All	$C_O$	470	1000	6800	uF	
$V_O$ Dynamic Response	Peak Deviation Settling Time	25%~50%~25% $I_{O,max}$ slew rate = 0.1A/us; Figure 7	$\pm V_O$ $T_s$	- -	400 104	643 170	mV uS
	Peak Deviation Settling Time	50%~75%~50% $I_{O,max}$ slew rate = 0.1A/us; Figure 8	$\pm V_O$ $T_s$	- -	380 100	533 110	mV uS
Turn-on transient	Rise time	$I_O=I_{O,max}$	$T_{rise}$	-	180	200	mS
	Turn-on delay time	$I_O=I_{O,max}$	$T_{turn-on}$	-	185	195	mS
	Turn-on overshoot	$I_O = 0$		-	-	5	$\%V_O$
Switching frequency	All	$f_{sw}$	-	210	-	kHz	
Remote ON/OFF control (positive logic)	Off-state voltage		-0.3	-	0.8	Vdc	
	On-state voltage		2.4	-	15	Vdc	
Remote ON/OFF control (negative logic)	Off-state voltage		2.4	-	15	Vdc	
	On-state voltage		-0.3	-	0.8	Vdc	
Output over-voltage protection <sup>4</sup>	All		34.7	-	40	Vdc	
Output voltage trim range	All	$V_O$	14	-	33	Vdc	
Output over-temperature protection <sup>5</sup>	All	T	105	115	125	$^{\circ}C$	

## Output Specifications

Table 3. Output Specifications, con't:

Parameter	Condition	Symbol	Min	Typ	Max	Unit
Over-temperature hysteresis	All	T	5	-	-	°C
Calculated MTBF	Telcordia SR-332-2006; 80% load; 300LFM, T <sub>A</sub> =40 °C		-	1.5	-	10 <sup>6</sup> h

Note 1 - T<sub>A</sub> = 25 °C, airflow rate = 400 LFM, Vin = 48Vdc, nominal Vout unless otherwise noted.

Note 2 - Hiccup: auto-restart when over-current condition is removed.

Note 3 - High frequency and low ESR is Recommended.

Note 4 - Hiccup: auto-restart when over-voltage condition is removed.

Note 5 - Auto recovery when over-temperature is removed.

## ADH700-48S28-6LS Performance Curves

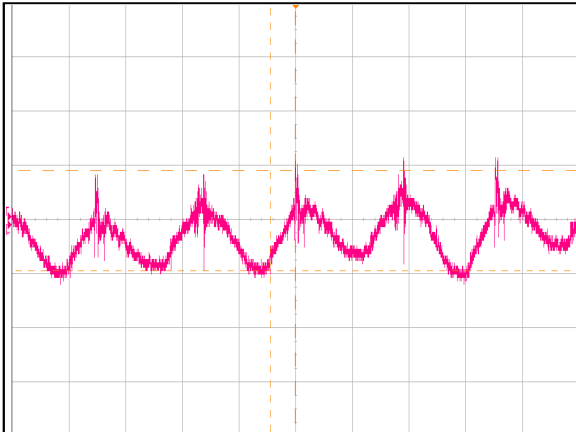


Figure 1: ADH700-48S28-6LS Input reflected Ripple Current Waveform  
Ch1 : Iin (2uS/div, 10mA/div)

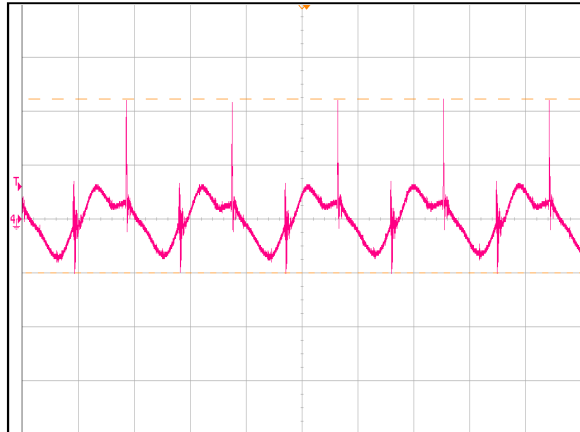


Figure 2: ADH700-48S28-6LS Ripple and Noise Measurement  
Ch1 : Vo (5uS/div, 50mV/div)

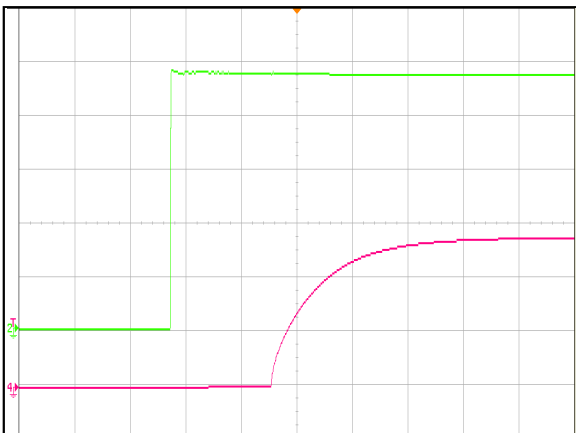


Figure 3: ADH700-48S28-6LS Output voltage startup by power on  
Ch 2: Vin (100mS/div) Ch 4: Vo (20V/div)

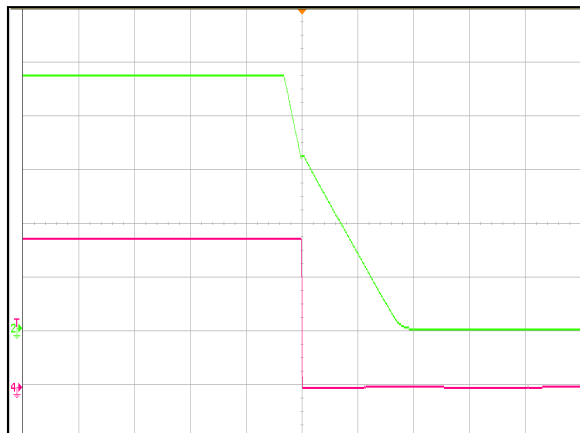


Figure 4: ADH700-48S28-6LS Output voltage shut down by power Off  
Ch 2: Vin (50ms/div) Ch 4: Vo (10V/div)

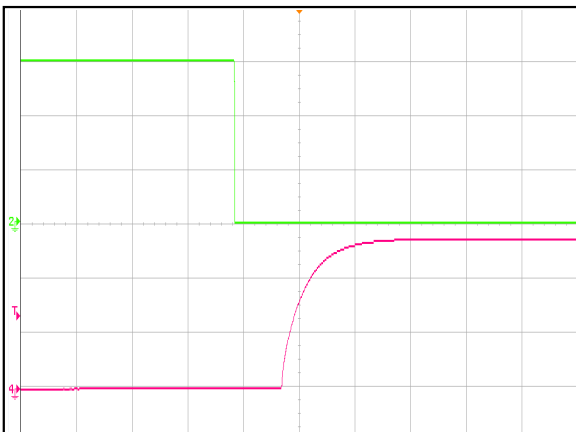


Figure 5: ADH700-48S28-6LS Output voltage startup by remote ON  
Ch 2: Remote ON (200mS/div) Ch 4: Vo (10V/div)

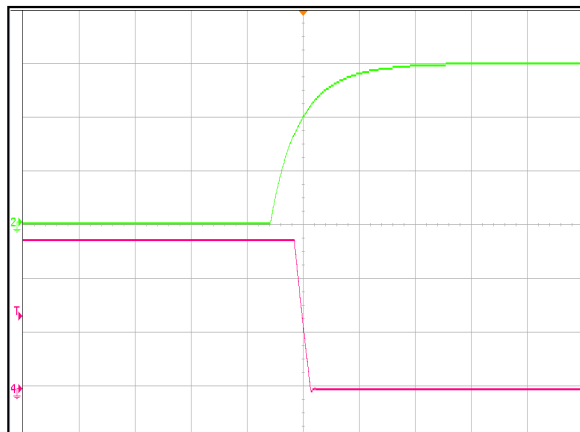


Figure 6: ADH700-48S28-6LS Output voltage shutdown by remote OFF  
Ch 2: Remote ON (2mS/div) Ch 4: Vo (10V/div)

## ADH700-48S28-6LS Performance Curves

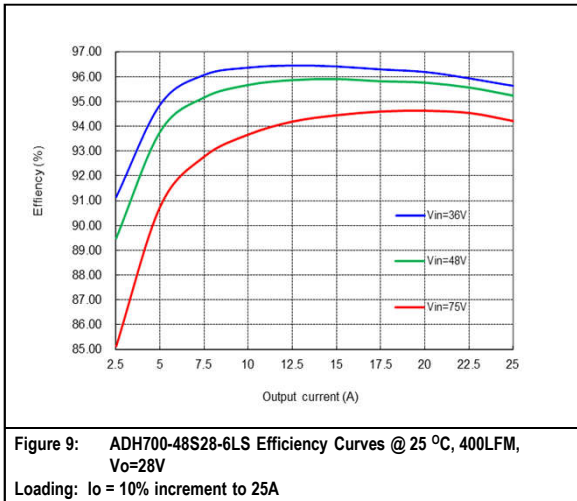
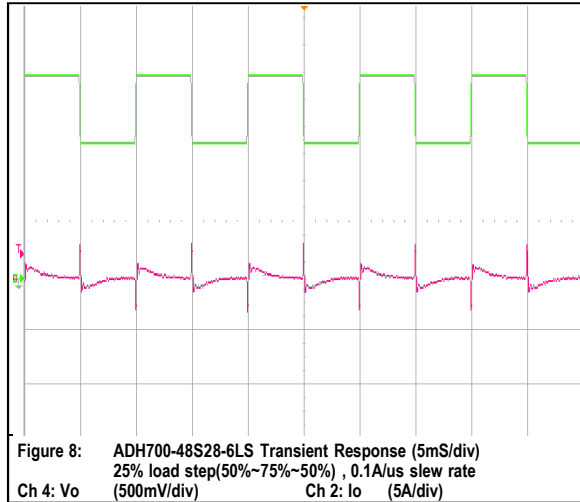
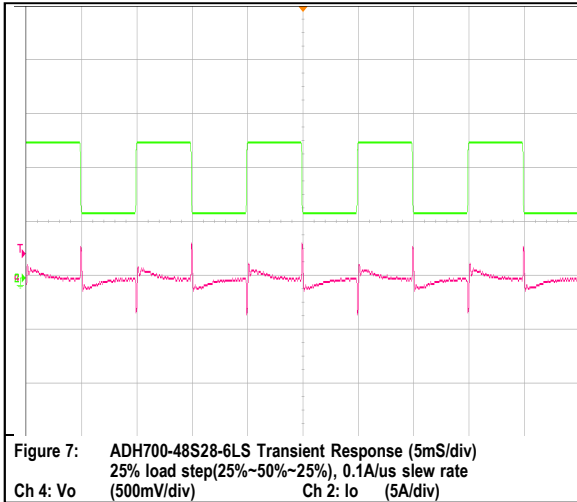


Figure 9: ADH700-48S28-6LS Efficiency Curves @ 25 °C, 400LFM, Vo=28V  
 Loading: Io = 10% increment to 25A



## Mechanical Specifications

### Mechanical Outlines

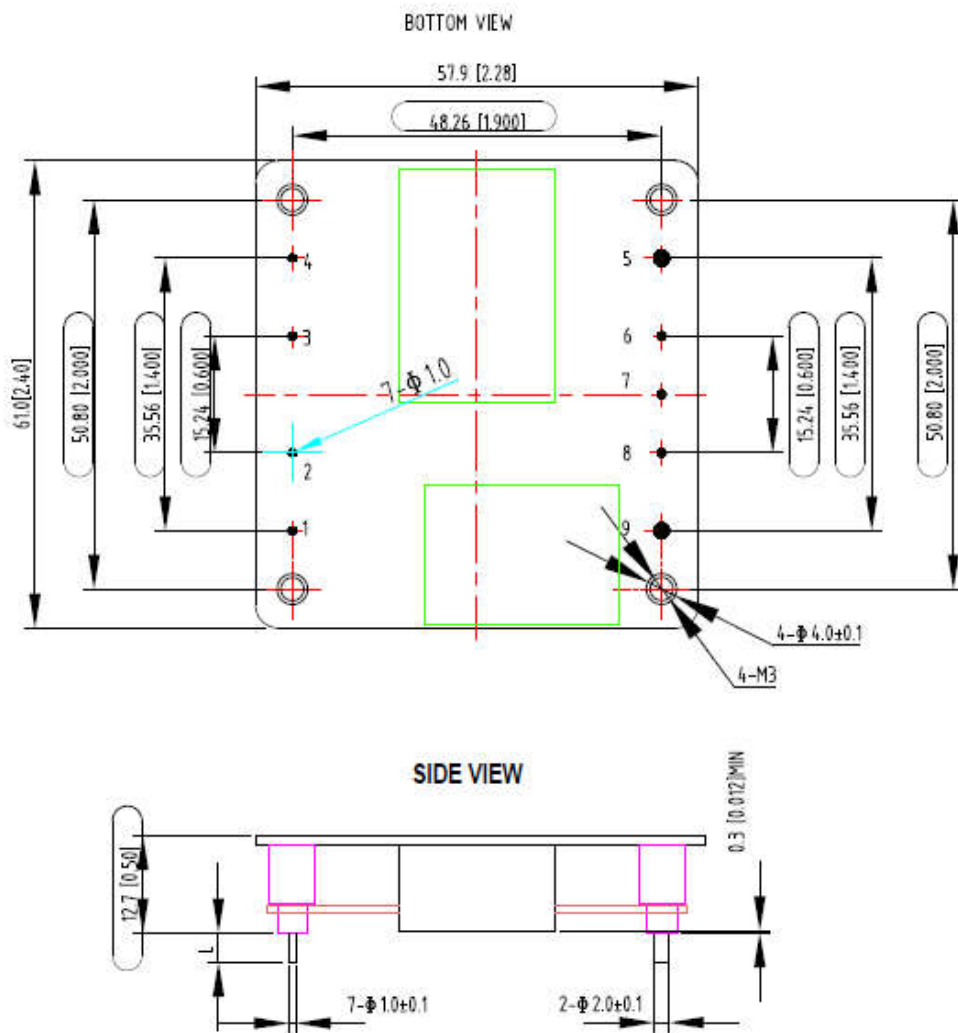


Figure 10: ADH700-48S28-6LS Mechanical Outlines

Note 1 - The module size is 2.4" x 2.28" x 0.5".

Note 2 - The module weight is 92.2g to 93.0g.

## Pin Length option

Device code suffix	L
-4	4.8mm ± 0.5mm
-6	3.8mm ± 0.5mm
-8	2.8mm ± 0.5mm
None	5.8mm ± 0.5mm

## Pin Designations

Pin Number	Name	Function
1	Vin+	Positive input voltage
2	CNT	Remote ON/OFF control
3	Case	Case
4	Vin-	Negative input voltage
5	Vo-	Negative output voltage
6	S-	Negative output sense
7	Trim	Output voltage trim
8	S+	Positive output sense
9	Vo+	Positive output voltage

## Environmental Specifications

### EMC Immunity

ADH700-48S28-6LS power supply is designed to meet the following EMC immunity specifications:

Table 4. Environmental Specifications:

Document	Description	Criteria
EN55032, DC input port, Class B Limits with external filter	Conducted and Radiated EMI Limits, DC input port	/
IEC/EN 61000-4-2, Level 3	Electromagnetic Compatibility (EMC) - Testing and measurement techniques: Electrostatic discharge immunity test	B
IEC/EN 61000-4-4, Level 3	Electromagnetic Compatibility (EMC) - Testing and measurement techniques: Electrical Fast Transient. DC input port	B
IEC/EN 61000-4-5	Electromagnetic Compatibility (EMC) - Testing and measurement techniques: Immunity to surges - 600V common mode and 600V differential mode for DC input port	B
IEC/EN 61000-4-6, Level 2	Electromagnetic Compatibility (EMC) - Testing and measurement techniques: Continuous Conducted Interference. DC input port	A
EN61000-4-29	Electromagnetic Compatibility (EMC) - Testing and measurement techniques: Voltage Dips and short interruptions and voltage variations. DC input port	B

Criterion A: Normal performance during and after test.

Criterion B: For EFT and surges, low-voltage protection or reset is not allowed. Temporary output voltage fluctuation ceases after the disturbances ceases, and from which the EUT recovers its normal performance automatically.

For dips and ESD, output voltage fluctuation or reset is allowed during the test, but recovers to its normal performance automatically after the disturbance ceases.

Criterion C: Temporary loss of output, the correction of which requires operator intervention.

Criterion D: Loss of output which is not recoverable, owing to damage to hardware.

### Recommend EMC Filter Configuration

See figure 21.

## Safety Certifications

The ADH700-48S28-6LS power supply is intended for inclusion in other equipment and the installer must ensure that it is in compliance with all the requirements of the end application. This product is only for inclusion by professional installers within other equipment and must not be operated as a stand alone product.

Table 5. Safety Certifications for ADH700-48S28-6LS power supply system

Document	File #	Description
EN60950		European Requirements
IEC60950		International Requirements
UL/CSA 60950		US and Canada Requirements
CE		CE Marking
UL94		Materials meet V-0 flammability rating
TUV		International Requirements

**Operating Temperature**

The ADH700-48S28-6LS power supply will start and operate within stated specifications at an ambient temperature from -40 °C to 85 °C under all load conditions. The storage temperature is -55 °C to 125 °C.

**Thermal Considerations**

The converter is designed to operate in different thermal environments and sufficient cooling must be provided. Proper cooling can be verified by measuring the temperature at the test point as shown in the Figure 12. The temperature at this point should not exceed the max values in the table 6.

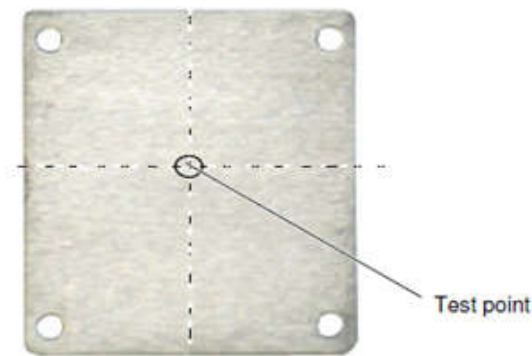


Figure 11: Temperature test point



Figure 12: Temperature test point-1

Table 6. Temperature limit of the test points

Test Point	Temperature Limit
Test point	100 °C
Test point-1	107 °C

For a typical application, Figure 13 shows the derating of output current vs. ambient air temperature at different air velocity.

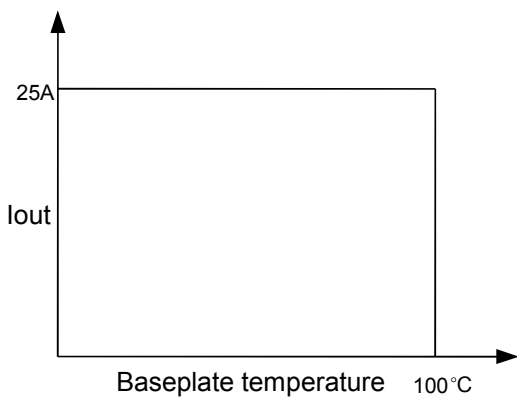


Figure 13: Output power derating at 48V<sub>in</sub>

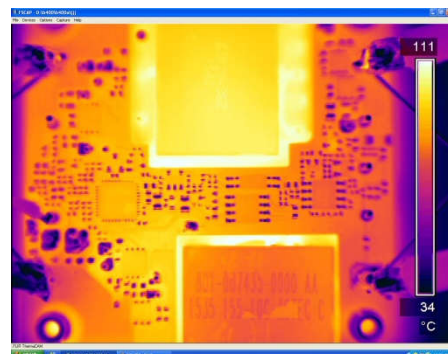


Figure 14: Infrared thermal image, 48V<sub>in</sub> @ full load, 200LFM, 25°C

## Qualification Testing

Parameter	Unit (pcs)	Test condition
Halt test	4~5	Ta,min=-20°C to Ta,max=+35°C, 5°C step, Vin=min to max, 0~100% load
Vibration	3	Frequency range: 5Hz ~ 20Hz, 20Hz ~ 200Hz A.S.D: 1.0m <sup>2</sup> /s <sup>3</sup> , -3db/oct Axes of vibration: X/Y/Z Time: 30min/axis
Mechanical shock	3	30g, 6ms, 3 axes, 6 directions, 3 times/direction
Thermal shock	3	-55°C to +125°C, unit temperature 20 cycles
Thermal cycling	3	-40°C to 85°C, temperature change rate: 1°C/min, cycles: 2 cycles
Humidity	3	40°C, 95%RH, 48h
Solder ability	15	IPC J-STD-002C-2007

## Application Notes

### Typical Application

Below is the typical application of the ADH700-48S28-6LS power supply.

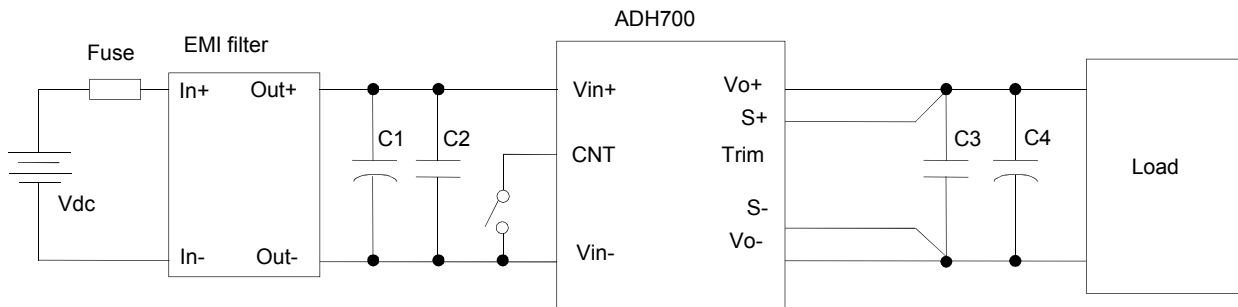


Figure 15: Typical application

C1: 470uF/100V electrolytic capacitor, P/N: UPW2A471MHD (Nichicon) or equivalent

C2: 0.1uF/100V X7R ceramic capacitor, P/N: 12101C104JAT2A (AVX) or equivalent caps

C3: 1uF/100V X7R ceramic capacitor, P/N: C3225X7R2A105KT0L0U (TDK) or equivalent

C4: 1000uF electrolytic capacitor, 2\*P/N: UPW2A471MHD (Nichicon) or equivalent

Fuse: 30A fast blow fuse. P/N: 314030P (LITTLEFUSE)

Double minimum input/output capacitance is necessary for normal operation and performance in case of  $T_a < 00C$ .

EMI Filter: refer to figure 21

**Remote ON/OFF**

Either positive or negative remote ON/OFF logic is available in ADH700-48S28-6LS. The logic is CMOS and TTL compatible.

The following figure is the detailed internal circuit and reference in ADH700-48S28-6LS.

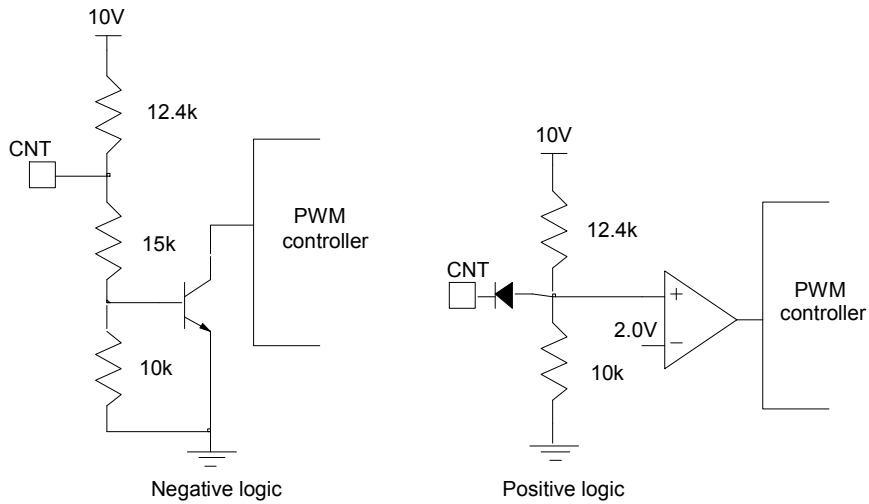


Figure 16: Remote ON/OFF internal diagram



## Trim Characteristics

Connecting an external resistor between Trim pin and Vo- pin will decrease the output voltage, while connecting it between Trim and Vo+ will increase the output voltage. The following equations determine the external resistance to obtain the trimmed output voltage.

$$R_{adj\_down} = \left( \frac{100\%}{\Delta\%} - 2 \right) k\Omega$$

$$R_{adj\_up} = \left( \frac{V_{norm}(100\% + \Delta\%)}{1.225 \times \Delta\%} - \frac{100\% + 2 \times \Delta\%}{\Delta\%} \right) k\Omega$$

$\Delta$  : Output e rate against nominal output voltage.

$$\Delta = \left| \frac{100 \times (V_o - V_{norm})}{V_{norm}} \right|$$

$V_{norm}$  : Nominal output voltage.

For example, to get 33V output, the trimming resistor is

$$\Delta = \frac{100 \times (V_o - V_{norm})}{V_{norm}} = \frac{100 \times (33 - 28)}{28} = 17.86$$

$$R_{adj\_up} = \frac{28 \times (100\% + 17.86\%)}{1.225 \times 17.86\%} - \frac{100\% + 2 \times 17.86\%}{17.86\%} = 143.24 (K\Omega)$$

For 1% adjustment resistor, the trimmed output voltage is guaranteed within  $\pm 2\%$ . The output voltage can also be trimmed by potential applied at the Trim pin.

$$V_o = (V_{trim} + 1.225) \times 11.34$$

Where  $V_{trim}$  is the potential applied at the Trim pin, and  $V_o$  is the desired output voltage.

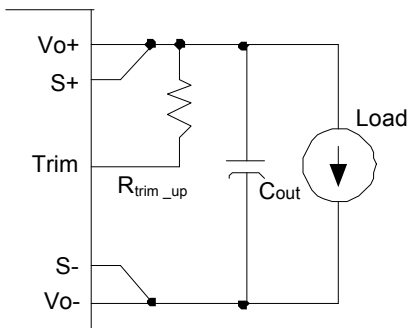


Figure 17: Trim up

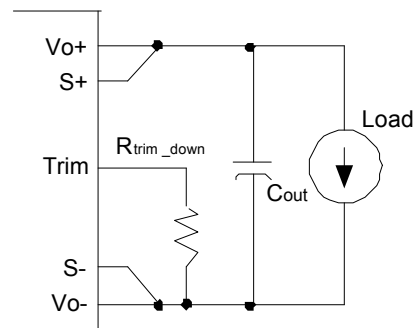


Figure 18: Trim down

For ADH700-48S28-6LS, if the sense compensate function is not necessary, connect S+ to Vo+ and S- to Vo- directly. When trimming up, the output current should be decreased accordingly so as not to exceed the maximum output power. When trimming up the output voltage, the minimum input voltage should be increased as shown in below figure19.

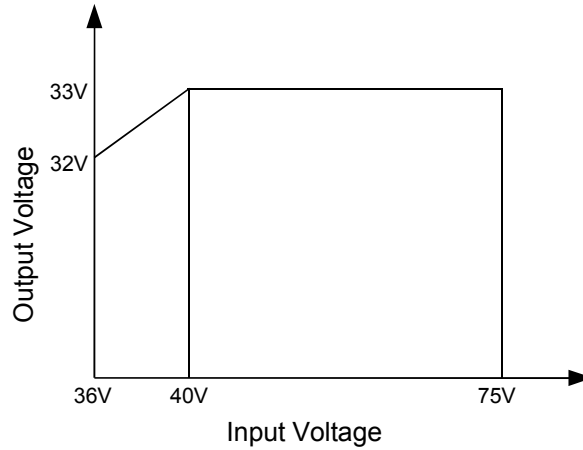


Figure 19: Trim up the output voltage

**Input Ripple & Inrush Current and Output Ripple & Noise Test Configuration**

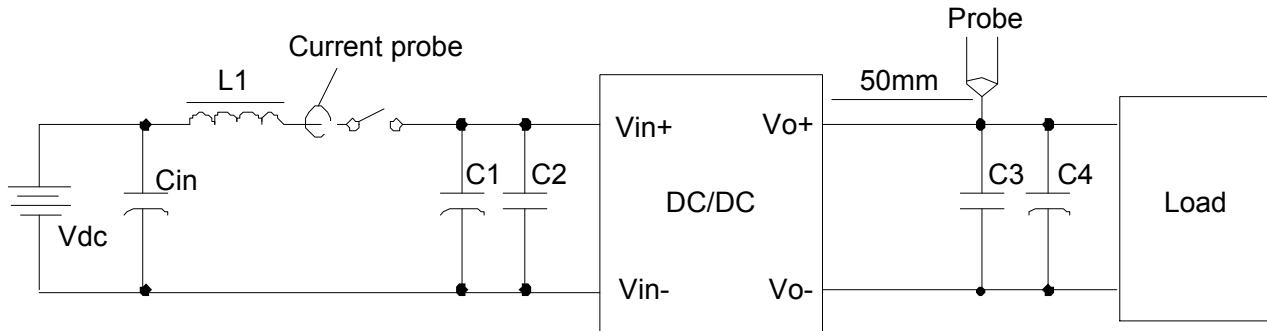


Figure 20: Input ripple & inrush current, output ripple & noise test configuration

Vdc: DC power supply

L1: 12 $\mu$ H

Cin: 220 $\mu$ F/100V typical

C1: 470 $\mu$ F/100V electrolytic capacitor, High frequency and low ESR

C2: 0.1 $\mu$ F/100V X7R ceramic capacitor, P/N: 12101C104JAT2A (AVX) or equivalent caps

C3: SMDceramic-100V-1000nF-X7R-1210

C4: 1000 $\mu$ F/50V electrolytic capacitor, High frequency and low ESR

Note: It is recommended to use a coaxial cable with series 50 $\Omega$  resistor and 0.68 $\mu$ F ceramic capacitor or a ground ring of probe to test output ripple & noise.

**EMC Test Conditions**

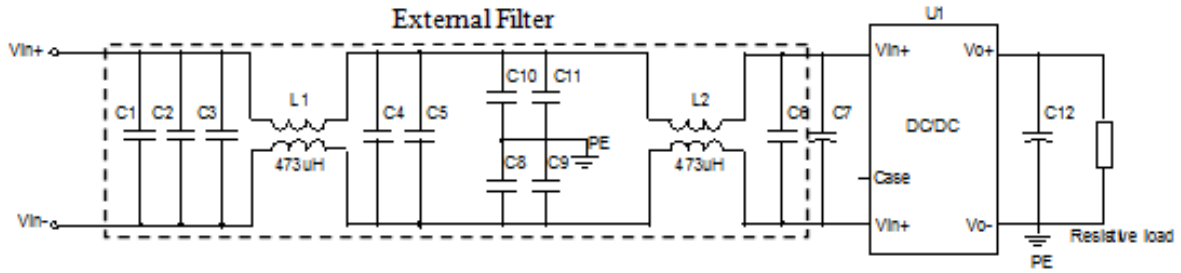


Figure 21: EMC test conditions

U1: Module to test, ADH700-48S28-6LS

C1 ~ C5: 2.2uF/100V X7R ceramic capacitor, GRM31CR72A225KA73(muRata) or equivalent caps

C6: 0.1uF/100V X7R ceramic capacitor, P/N: 12101C104JAT2A (AVX) or equivalent caps

C8 ~ C11: 0.47uF/630V ceramic capacitor, P/N: C5750X7T2J474K250KC (TDK) or equivalent caps

C7: 470uF/100V electrolytic capacitor, P/N: UPM2A471MHD (Nichicon) or equivalent caps

C12: 1000uF/50V electrolytic capacitor, P/N: UUD1H102MNL1GS (Nichicon) or equivalent PE: Connect to Vo-

Case: Not connected

### **Soldering**

The product is intended for standard manual or wave soldering.

When wave soldering is used, the temperature on pins is specified to maximum 260°C for maximum 10s.

When manual soldering is used, the iron temperature should be maintained at 300°C ~ 380°C and applied to the converter pins for less than 10s. Longer exposure can cause internal damage to the converter.

Cleaning of solder joint can be performed with cleaning solvent IPA or simulative.

## Record of Revision and Changes

Issue	Date	Description	Originators
1.0	01.05.2018	First Issue	E. Bai
1.1	06.20.2018	Update the Input Under Voltage Lockout data	K. Wang
1.2	11.26.2018	Update the formula typo error	K. Wang
1.3	06.24.2019	Update the Mechanical drawing	K. Wang
1.4	02.24.2020	Update RoHS information	E. Bai

### WORLDWIDE OFFICES

#### Americas

2900 South Diablo Way  
Suite B100  
Tempe, AZ 85282  
USA  
+1 888 412 7832

#### Europe (UK)

Ground Floor Offices  
Barberry House, 4 Harbour Buildings  
Waterfront West, Brierley Hill  
West Midlands, DY5 1LN, UK  
+44 (0) 1384 842 211

#### Asia (HK)

14/F, Lu Plaza  
2 Wing Yip Street  
Kwun Tong, Kowloon  
Hong Kong  
+852 2176 3333

**ARTESYN**<sup>TM</sup>  
An Advanced Energy Company  
[www.artesyn.com](http://www.artesyn.com)

Artesyn Embedded Technologies, Artesyn Embedded Power, Artesyn, and all Artesyn related logos are trademarks and service marks of Artesyn Embedded Technologies, Inc. All other names and logos referred to are trade names, trademarks, or registered trademarks of their respective owners. Specifications are subject to change without notice. © 2019 Artesyn Embedded Technologies, Inc. All rights reserved. For full legal terms and conditions, please visit [www.artesyn.com/legal](http://www.artesyn.com/legal).

For more information: [www.artesyn.com](http://www.artesyn.com)  
For support: [productsupport.ep@artesyn.com](mailto:productsupport.ep@artesyn.com)

## X-ON Electronics

Largest Supplier of Electrical and Electronic Components

*Click to view similar products for [Isolated DC/DC Converters](#) category:*

*Click to view products by [Artesyn Embedded Technologies](#) manufacturer:*

Other Similar products are found below :

[ESM6D044440C05AAQ](#) [FMD15.24G](#) [PSL486-7LR](#) [Q48T30020-NBB0](#) [JAHW100Y1](#) [SPB05C-12](#) [SQ24S15033-PS0S](#) [18952](#) [19-130041](#)  
[CE-1003](#) [CE-1004](#) [GQ2541-7R](#) [RDS180245](#) [MAU228](#) [J80-0041NL](#) [DFC15U48D15](#) [XGS-0512](#) [XGS-1205](#) [XGS-1212](#) [XGS-2412](#) [XGS-](#)  
[2415](#) [XKS-1215](#) [06322](#) [NCT1000N040R050B](#) [SPB05B-15](#) [SPB05C-15](#) [L-DA20](#) [DCG40-5G](#) [QME48T40033-PGB0](#) [XKS-2415](#) [XKS-2412](#)  
[XKS-1212](#) [XKS-1205](#) [XKS-0515](#) [XKS-0505](#) [XGS-2405](#) [XGS-1215](#) [XGS-0515](#) [PS9Z-6RM4](#) [73-551-5038I](#) [AK1601-9RT](#) [VI-N61-CM](#) [VI-](#)  
[R5022-EXWW](#) [PSC128-7iR](#) [RPS8-350ATX-XE](#) [DAS1004812](#) [PQA30-D24-S24-DH](#) [VI-M5F-CQ](#) [VI-LN2-EW](#) [VI-PJW01-CZY](#)