

ARTESYN DA10-050 SERIES

10 Watts



Advanced Energy's Artesyn 10 watt, class II, wall mount power supply provides a 5 V USB-A compatible output in a compact-size at low cost. It meets new European CoC v5 Tier 2 & US DoE Level VI energy saving requirements.

DATA SHEET

Total Power:

10 Watts

Input Voltage:

100 - 240 Vac

of Outputs:

Single



SPECIAL FEATURES

- Small size 44 x 39.5 x 25 mm excluding AC pins
- High average loading efficiency 79%
- USB connector output
- -10 °C to +40 °C operating temperature range
- Protections: overvoltage, overtemperature, overcurrent, short circuit
- Reinforced isolation 3000 Vac rms
- European CoC v5 T2 & US DoE VI Compliant
- EN60950-1 Safety Standard
- One year warranty

SAFETY

- cUL/UL 60950-1
- IEC/EN 60950-1
- IEC 62368-1
- CCC
- CE
- GS
- Designed to meet:
 - NOM-NYCE
 - SPRING
 - IRAM
 - C-Tick
 - NSW

ELECTRICAL SPECIFICATIONS

| Input | |
|---------------------|--------------------------------------|
| Input voltage range | 90 - 264 Vac (100 - 240 Vac nominal) |
| Frequency | 47 - 63 Hz (50 / 60 Hz nominal) |
| Input current (max) | 300 mA |
| Leakage current | 100 μ A |
| No load power | <75 mW |
| Output | |
| Maximum power | 10 W |
| Output voltage | 5 V |
| Hold-up time | 10 ms typical 115 Vac at full load |

ENVIRONMENTAL SPECIFICATIONS

| | |
|--------------------------------|---|
| Operating temperature | -10 °C to +40 °C |
| Storage temperature | -40 °C to +85 °C |
| Electromagnetic susceptibility | EM55022, FCC Part 15 |
| Humidity | Non-condensing 5% to 95% RH |
| MTBF | >100,000 hours at full load and 25 °C ambient |

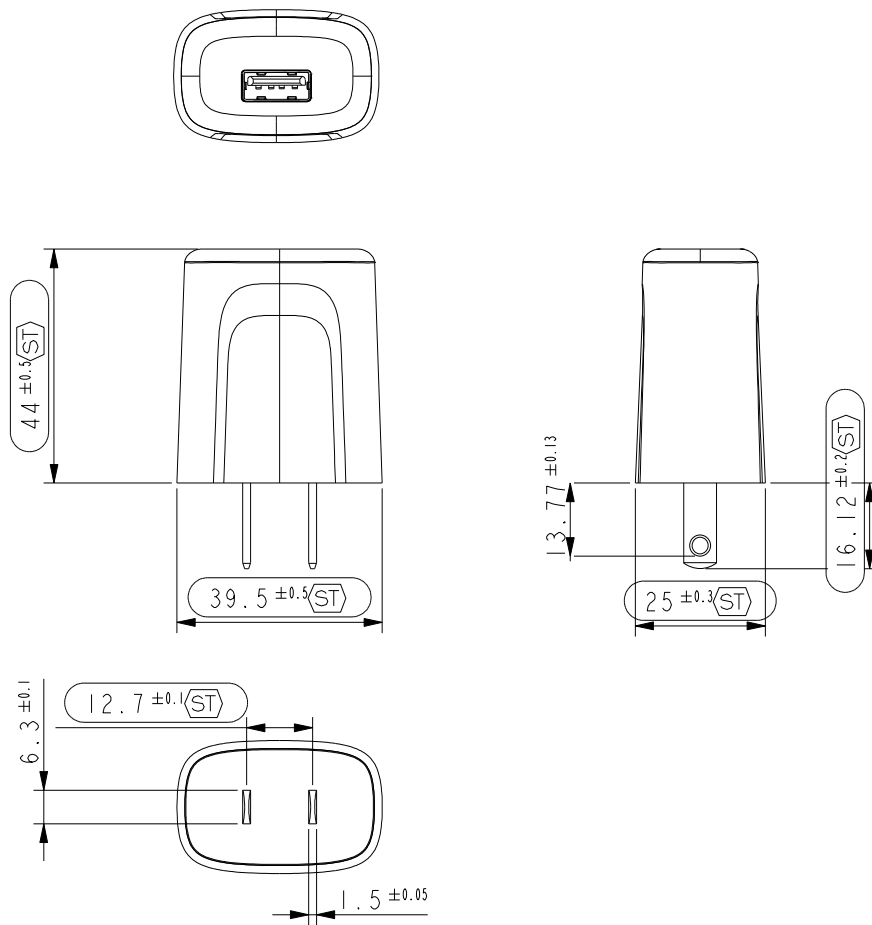
ORDERING INFORMATION

| Model Number | Input Voltage Range | Output Voltage | Minimum Load | Maximum Load |
|--------------|---------------------|----------------|--------------|--------------|
| DA10-050US | 90 - 264 Vac | 5 V | 0 A | 2 A |
| DA10-050CH | 90 - 264 Vac | 5 V | 0 A | 2 A |
| DA10-050EU | 90 - 264 Vac | 5 V | 0 A | 2 A |
| DA10-050UK | 90 - 264 Vac | 5 V | 0 A | 2 A |

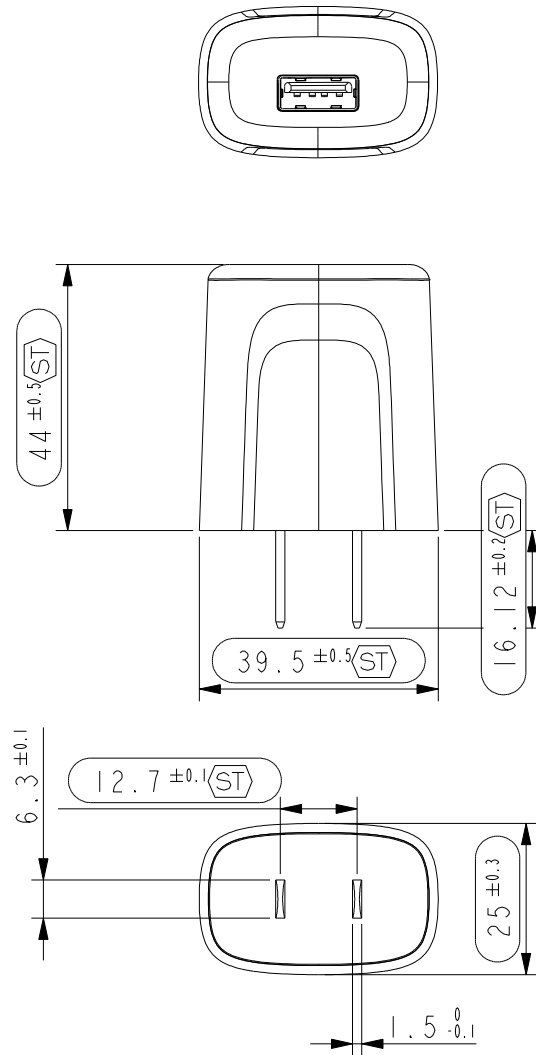
AC PLUG CONFIGURATION FOR FIXED PLUG

| | |
|----------------|----|
| U.S. 2-prong | US |
| China 2-prong | CH |
| Europe 2-prong | EU |
| UK 3-prong | UK |

MECHANICAL DRAWINGS - DA10-050 US

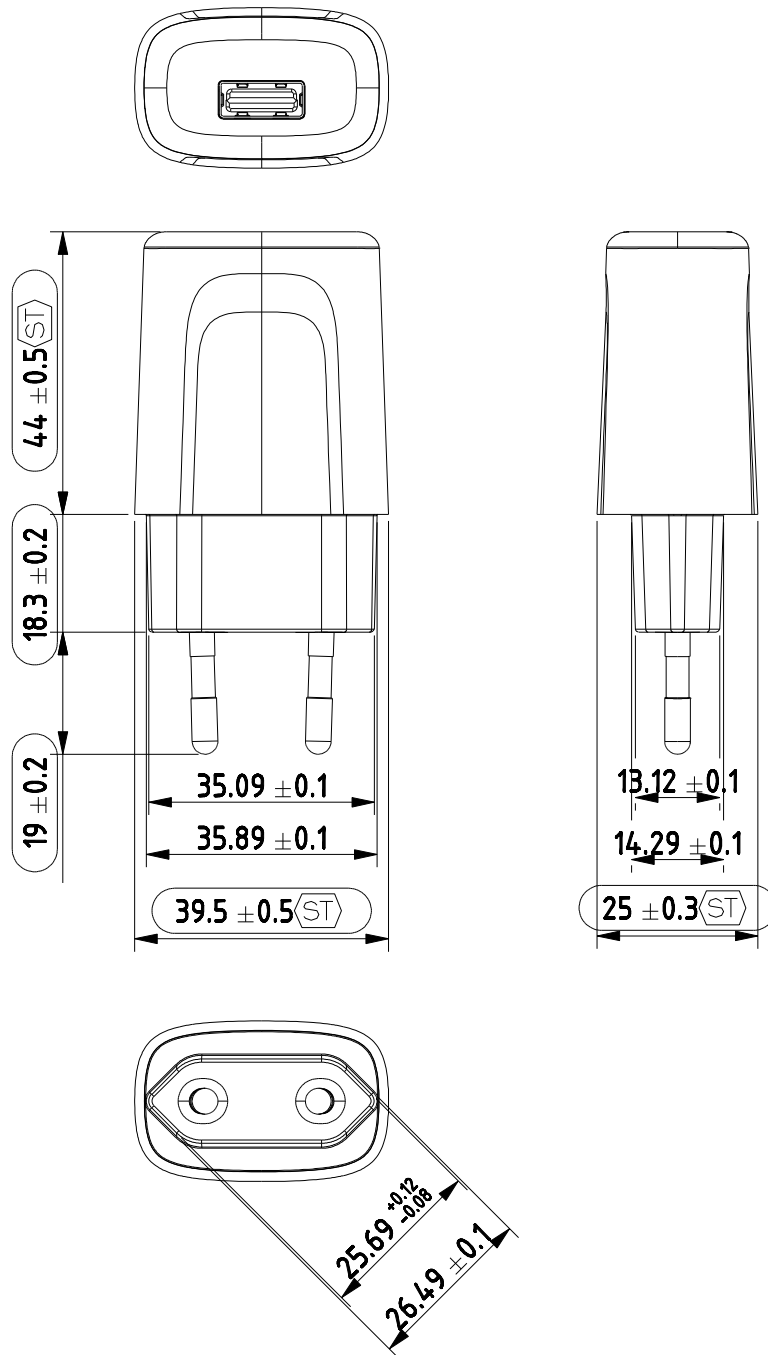


Note: All dimensions in mm.

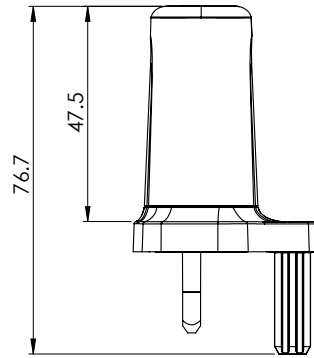
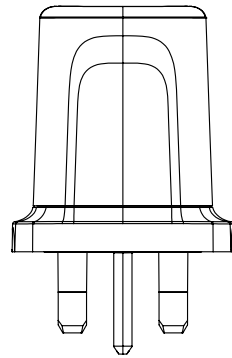
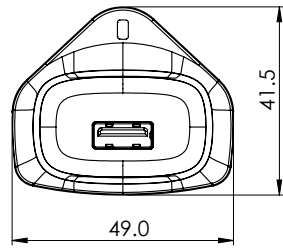


Note: All dimensions in mm.

MECHANICAL DRAWINGS - DA10-050EU



Note: All dimensions in mm.



Note: All dimensions in mm.



For international contact information,
visit advancedenergy.com.

powersales@aei.com (Sales Support)
productsupport.ep@aei.com (Technical Support)
+1 888 412 7832

ABOUT ADVANCED ENERGY

Advanced Energy (AE) has devoted more than three decades to perfecting power for its global customers. AE designs and manufactures highly engineered, precision power conversion, measurement and control solutions for mission-critical applications and processes.

Our products enable customer innovation in complex applications for a wide range of industries including semiconductor equipment, industrial, manufacturing, telecommunications, data center computing, and medical. With deep applications know-how and responsive service and support across the globe, we build collaborative partnerships to meet rapid technological developments, propel growth for our customers, and innovate the future of power.

PRECISION | POWER | PERFORMANCE

Specifications are subject to change without notice. Not responsible for errors or omissions. ©2021 Advanced Energy Industries, Inc. All rights reserved. Advanced Energy®, AE® and Artesyn™ are U.S. trademarks of Advanced Energy Industries, Inc.

X-ON Electronics

Largest Supplier of Electrical and Electronic Components

Click to view similar products for [Wall Mount AC Adapters](#) category:

Click to view products by [Artesyn Embedded Technologies](#) manufacturer:

Other Similar products are found below :

[ADP-163 E](#) [ADP-167 J](#) [ADP-168 K](#) [ADP-159 A](#) [ADP-165 G](#) [PSAC05A-050L6](#) [RLMDT361800](#) [DA10-050CH](#) [DA5-050US-B](#)
[RLMDT701800](#) [WSU120-2000-R13](#) [WSU180-1330-13](#) [AC-DC ADAPTER 160W](#) [WSU120-2000-13](#) [WSU150-0800-13](#) [WSU075-3200-13](#)
[WSU060-2000-R13](#) [WSU090-2500-13](#) [WSU050-2000-R13](#) [WSU240-1000-13](#) [WSU240-0500-R13](#) [WSU075-1500-13](#) [WSU050-3000-13](#)
[WSU120-1500-13](#) [WSU120-1500-R13](#) [WSU045-1500-13](#) [WSU240-0750-13](#) [WSU090-2500-R13](#) [WSU240-1500-13](#) [WSU180-0660-13](#)
[WSU075-1500-R13](#) [WSU090-1300-13](#) [WSU180-1330-R13](#) [BB-SMI1812VP230C1](#) [WSU050-1500-13](#) [WSU090-0800-13](#) [WSU120-0700-13](#)
[WSU045-3000-13](#) [WSU180-0450-13](#) [WSU150-0560-R13](#) [WSU135-0880-13](#) [WSU120-3000-13](#) [WSU120-1000-R13](#) [WSU090-1300-R13](#)
[WSU060-1250-R13](#) [WSU060-1250-13](#) [WSU045-2000-R13](#) [WSU045-1500-R13](#) [PSAC05A-050L6M](#) [392007-01](#)