

Data Sheet

Total Power: 3 Watts
Input Voltage: 100 - 254 Vac
of Outputs: Single

SPECIAL FEATURES

- USB Switching wallmount power supply
- Universal AC input
- Available in multiple AC plug configurations
- CE Mark EMC & LVD, & ErP 2011 for EU versions
- Regulated output
- Overload and short circuit protection
- Constant voltage, constant current
- Efficiency Level V
- Built in EMI filter (CISPR 22 Class B)
- Available in various output connectors
- Mini USB 2.0 dc output plug - 0005
- Micro USB 2.0 dc output plug - 0006

SAFETY

- UL 60950/6500
- cUL 60950/6500
- TUV 60950
- NEMKO 60950
- CB Certificate and report
- CE EMC, LVD & ErP 2011 for EU & UK versions
- CTIA
- ENEC



Electrical Specifications

| Input | |
|--------------------------------|---|
| Input range: | 100 - 240 Vac (wide range) |
| Frequency: | 47 - 63 Hz |
| EMI/RFI: | FCC Part 15, Subpart B Class B & EN55022 (CISPR 22) Class B & EMC89/336/EEC |
| Safety ground leakage current: | 10 μ A @ 50/60 Hz, 230 Vac input |
| Output | |
| Voltage (Vo): | 5 V (4.75 - 5.25 V) |
| Maximum Power (Po): | 3 W |
| Hold-up time: | 25 ms. typical at full load @ 115 Vac |
| Overvoltage protection: | Single fault 10.5 V max. Latching type |
| Overload protection: | Output short circuit protection auto recover Overload protected > 800 mA |
| Output: | DC cable with Mini USB 2.0 -0005 suffix and Micro USB 2.0 -0006 |
| Connector Pinout: | Pin 1: +V Pin 5: ground |

Environmental Specifications

| | |
|---------------------------------|---|
| Operating temperature: | 0° to 45 °C ambient |
| Storage temperature: | -20 °C to +70 °C |
| Electromagnetic susceptibility: | Designed to meet EN55082-1 |
| Humidity: | Operating; non-condensing 20% to 90% RH |
| Vibration: | Per IEC 60068-2-6 |

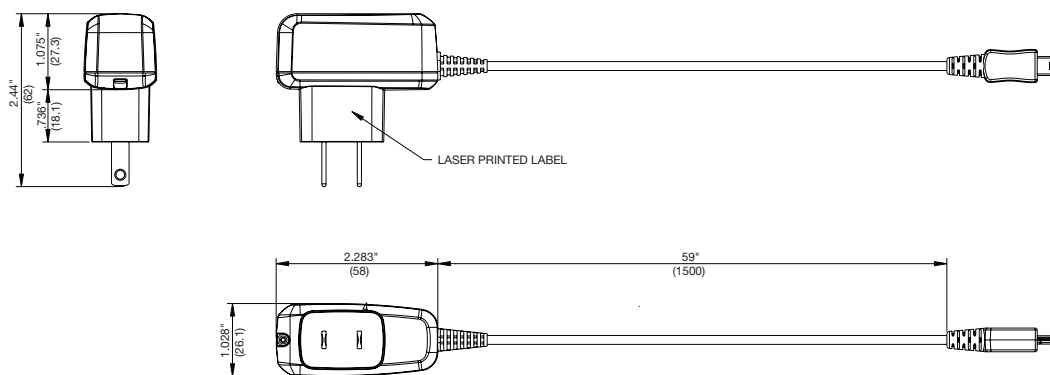
Ordering Information

| Model Number | Maximum Power | Output Voltage | Minimum Load | Maximum Load | Ripple P/P (PARD) ¹ | Connector |
|-----------------|---------------|----------------|--------------|--------------|--------------------------------|---------------|
| DCH3-050US-0005 | 3 W | 5 V | 0 | 0.55 A | 200 mV | Mini USB 2.0 |
| DCH3-050EU-0005 | 3 W | 5 V | 0 | 0.55 A | 200 mV | Mini USB 2.0 |
| DCH3-050UK-0005 | 3 W | 5 V | 0 | 0.55 A | 200 mV | Mini USB 2.0 |
| DCH3-050US-0006 | 3 W | 5 V | 0 | 0.55 A | 200 mV | Micro USB 2.0 |
| DCH3-050EU-0006 | 3 W | 5 V | 0 | 0.55 A | 200 mV | Micro USB 2.0 |
| DCH3-050UK-0006 | 3 W | 5 V | 0 | 0.55 A | 200 mV | Micro USB 2.0 |

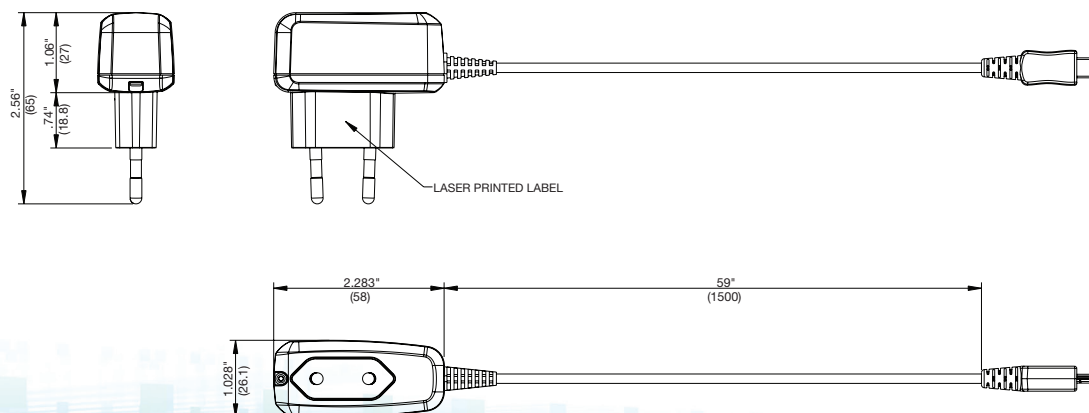
1. Peak-to-peak with 20 mHz bandwidth and 10 μ F (tantalum capacitor) in parallel with a 0.1 μ F capacitor at rated line voltage and load ranges.
2. Output should not be grounded for EMI purpose.

Mechanical Drawing

DCH3-050US - 0005 & 0006

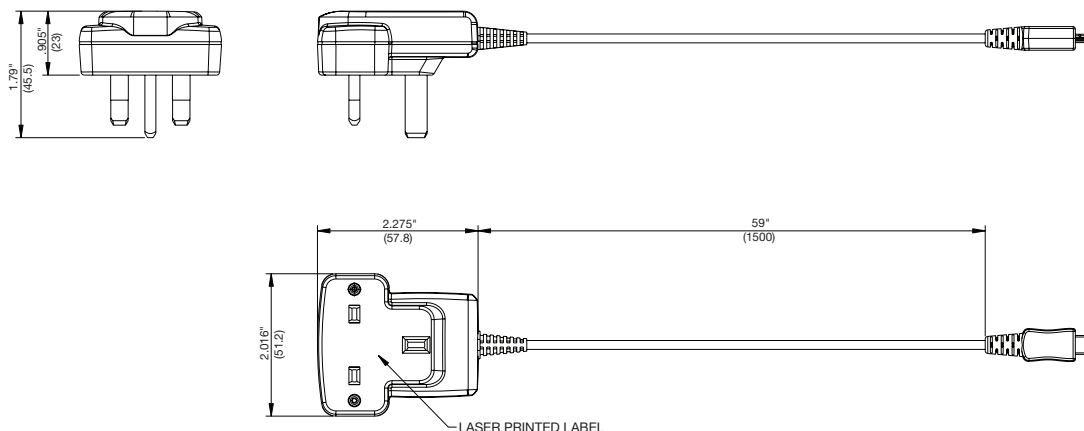


DCH3-050EU - 0005 & -0006

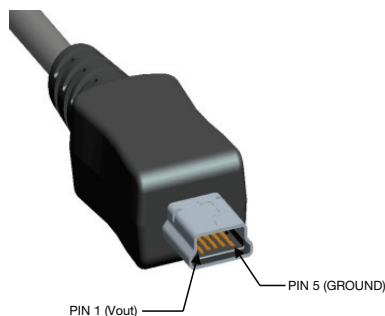


Mechanical Drawing

DCH3-050UK - 0005 & - 0006



Pin Assignments



Notes:

1. Specifications subject to change without notice.
2. All dimensions in inches (mm), tolerance is $\pm .02$ ".
3. Warranty: 2 years
4. Weight: 0.144 lb./0.066kg.

WORLDWIDE OFFICES

Americas

2900 S.Diablo Way
 Tempe, AZ 85282
 USA
 +1 888 412 7832

Europe (UK)

Waterfront Business Park
 Merry Hill, Dudley
 West Midlands, DY5 1LX
 United Kingdom
 +44 (0) 1384 842 211

Asia (HK)

14/F, Lu Plaza
 2 Wing Yip Street
 Kwun Tong, Kowloon
 Hong Kong
 +852 2176 3333

ARTESYN[™]
 EMBEDDED TECHNOLOGIES

www.artesyn.com

While every precaution has been taken to ensure accuracy and completeness in this literature, Artesyn Embedded Technologies assumes no responsibility, and disclaims all liability for damages resulting from use of this information or for any errors or omissions. Artesyn Embedded Technologies, Artesyn and the Artesyn Embedded Technologies logo are trademarks and service marks of Artesyn Embedded Technologies, Inc. All other names and logos referred to are trade names, trademarks, or registered trademarks of their respective owners.
 © 2014 Artesyn Embedded Technologies, Inc.

For more information: www.artesyn.com/power
 For support: productsupport.ep@artesyn.com

DCH3 Series-DS 06.06.14

X-ON Electronics

Largest Supplier of Electrical and Electronic Components

Click to view similar products for [Wall Mount AC Adapters](#) category:

Click to view products by [Artesyn Embedded Technologies](#) manufacturer:

Other Similar products are found below :

[ADP-163 E](#) [ADP-167 J](#) [ADP-168 K](#) [ADP-159 A](#) [ADP-165 G](#) [PSAC05A-050L6](#) [RLMDT361800](#) [DA10-050CH](#) [DA5-050US-B](#)
[RLMDT701800](#) [WSU120-2000-R13](#) [WSU180-1330-13](#) [AC-DC ADAPTER 160W](#) [WSU120-2000-13](#) [WSU150-0800-13](#) [WSU075-3200-13](#)
[WSU060-2000-R13](#) [WSU090-2500-13](#) [WSU050-2000-R13](#) [WSU240-1000-13](#) [WSU240-0500-R13](#) [WSU075-1500-13](#) [WSU050-3000-13](#)
[WSU120-1500-13](#) [WSU120-1500-R13](#) [WSU045-1500-13](#) [WSU240-0750-13](#) [WSU090-2500-R13](#) [WSU240-1500-13](#) [WSU180-0660-13](#)
[WSU075-1500-R13](#) [WSU090-1300-13](#) [WSU180-1330-R13](#) [BB-SMI1812VP230C1](#) [WSU050-1500-13](#) [WSU090-0800-13](#) [WSU120-0700-13](#)
[WSU045-3000-13](#) [WSU180-0450-13](#) [WSU150-0560-R13](#) [WSU135-0880-13](#) [WSU120-3000-13](#) [WSU120-1000-R13](#) [WSU090-1300-R13](#)
[WSU060-1250-R13](#) [WSU060-1250-13](#) [WSU045-2000-R13](#) [WSU045-1500-R13](#) [PSAC05A-050L6M](#) [392007-01](#)