

3000 Watts HPS3KW



Total Power: 3000-18000 Watts
Input Voltage: 180-264 VAC
of Outputs: Single

Special Features - *Module only

- Active Power Factor Correction
- EN61000-3-2 Harmonic Compliance
- 48VDC output
- Remote INHIBIT
- Single Wire Parallel
- Built-in EMI Filter
- Low Output Ripple
- +5V standby Output
- Built-in Cooling Fans
- Over Current Protection
- Over Voltage Protection
- Over Temperature Protection
- Hot Swap
- Built-in OR'ing Diodes

Environmental - *Module only

Operating Temperature: +5°C to 40°C
(50% power derating at 70°C)

Non-Operating Temperature: -40° to +70°C

Electromagnetic Susceptibility: Designed to meet
EN61000-4-2, -4-3, 4-4, -4-5 Level 3

Humidity: 5 to 95% RH, non-condensing

Operating: Sinusoidal Vibration - 0.25G zero to peak,
10 to 500Hz, 0.25 oct/min in each three mutually
perpendicular axes. Random vibration - 0.002 G²/Hz,
10 to 500Hz, nominal 1G rms.

Non-operating: Sinusoidal Vibration - 0.75G zero to
peak, 10 to 500Hz, 0.50 oct/min in each three mutually
perpendicular axes. Random vibration - 0.008 G²/Hz,
10 to 500Hz, nominal 2G rms.

MTBF (demonstrated): >500KHrs at full load, 40°C

Electrical Specs - *Module only

Input

Input Range	180-264VAC
Frequency	47 - 63 Hz
Inrush Current	100A (peak)
Efficiency	85% typical at full load
EMI Filter	CISPR22 Class A
Power Factor	0.98 typical
Leakage Current	1.16 mA @ 240 VAC

Output

DC Voltage	48V @ 57A 5Vsb @ 5A
Maximum Power	3000W
Adjustment Range	+ 5%
Supervisory Output	5V @ 5A
Hold Up Time	20ms
Over Current	48V: 110% - 150% 5Vsb: 101% - 125%
Over Voltage	125% above nominal output

Logic Control

ENABLE	Requires contact closure from "PSON" to 5Vsb return.
AC OK	TTL signal LOW
POWER FAIL	TTL signal LOW; goes HIGH in the event of failure
POWER GOOD	TTL logic signal goes high 100- 1000 msec after 48VDC output. It goes LOW at least 1ms before loss of regulation.

Safety - *Module only

UL 60950 (UL Recognized)
NEMKO EN60950
TUV EN60950
CE Mark

* Astec Part Number for Module = AA21970-288

AMERICAS

5810 Van Allen Way
Carlsbad, CA 92008
Telephone: 760-930-4600
Facsimile: 760-930-0698

EUROPE

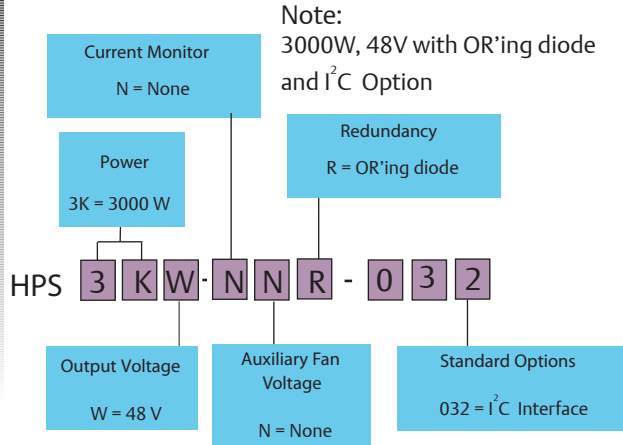
Astec House, Waterfront Business Park
Merry Hill, Dudley
West Midlands, DY5 1LX, UK
Telephone: 44 (1384) 842-211
Facsimile: 44 (1384) 843-355

ASIA

14/F, Lu Plaza
2 Wing Yip Street
Kwun Tong, Kowloon
Hong Kong
Telephone: 852-2176-3333
Facsimile: 852-2176-3888



Ordering Information

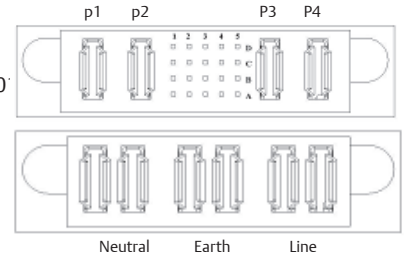


DC Output Connector Pinout Assignment

	Signal Pins				
	1	2	3	4	5
D	5Vsb	5Vsb rtn	PSON	SCL	A0
C	5Vsb	5Vsb rtn	PRESENT	SCL/SDA RTN	A1
B	5Vsb	5Vsb rtn	PSKI	SDA	A2
A	5Vsb	5Vsb rtn	PWOK	FAIL	A3

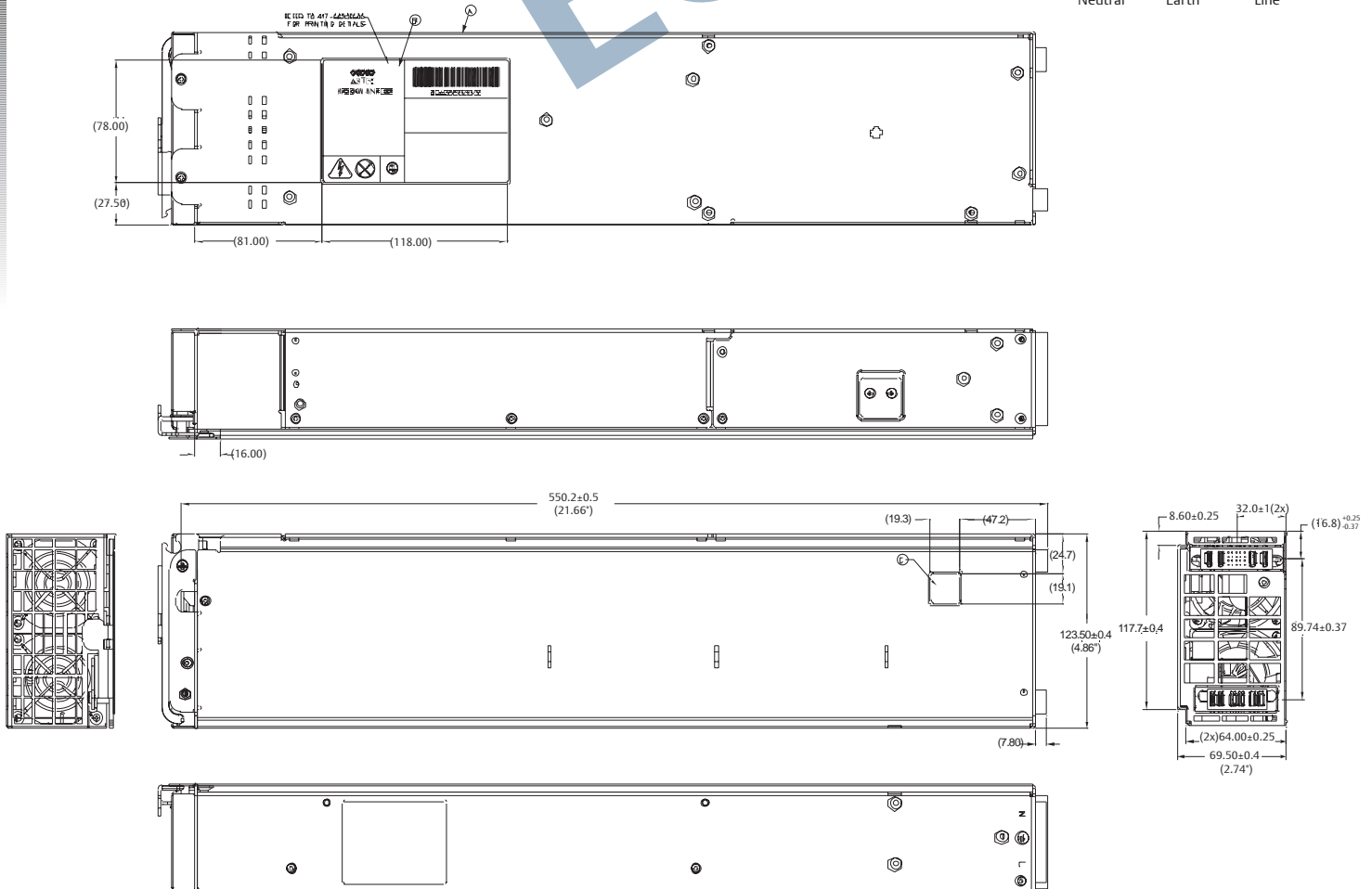
	Power Blades	
	P1, P2	P3, P4
	48VDC RETURN	48VDC

DC OUTPUT CONNECTOR: FCI 51874-001
DC OUTPUT MATING CONNECTOR: FCI 51875-001



Mechanical Drawings

AC INPUT CONNECTOR: FCI 51870-001
AC MATING CONNECTOR: FCI 51871-001
(REQUIRES 2 FCI 51869-001 BACKSHELL)



HPS3KW

CONTINUED

Rack Chassis

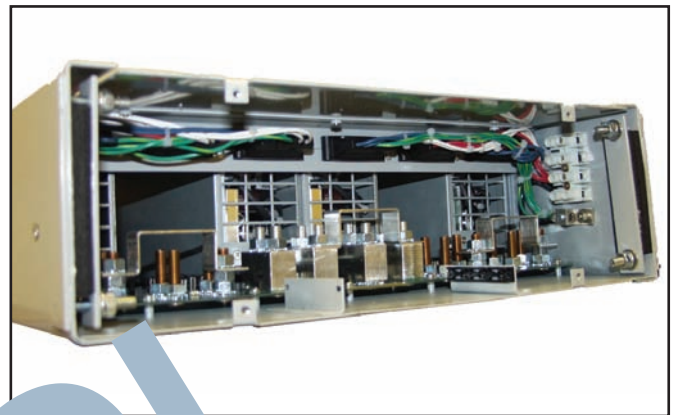
- Hot Swap
- Can accommodate up to 18KW of bulk power
- 48VDC output
- Easy AC input connect
- Easy DC output connect

Safety Approvals

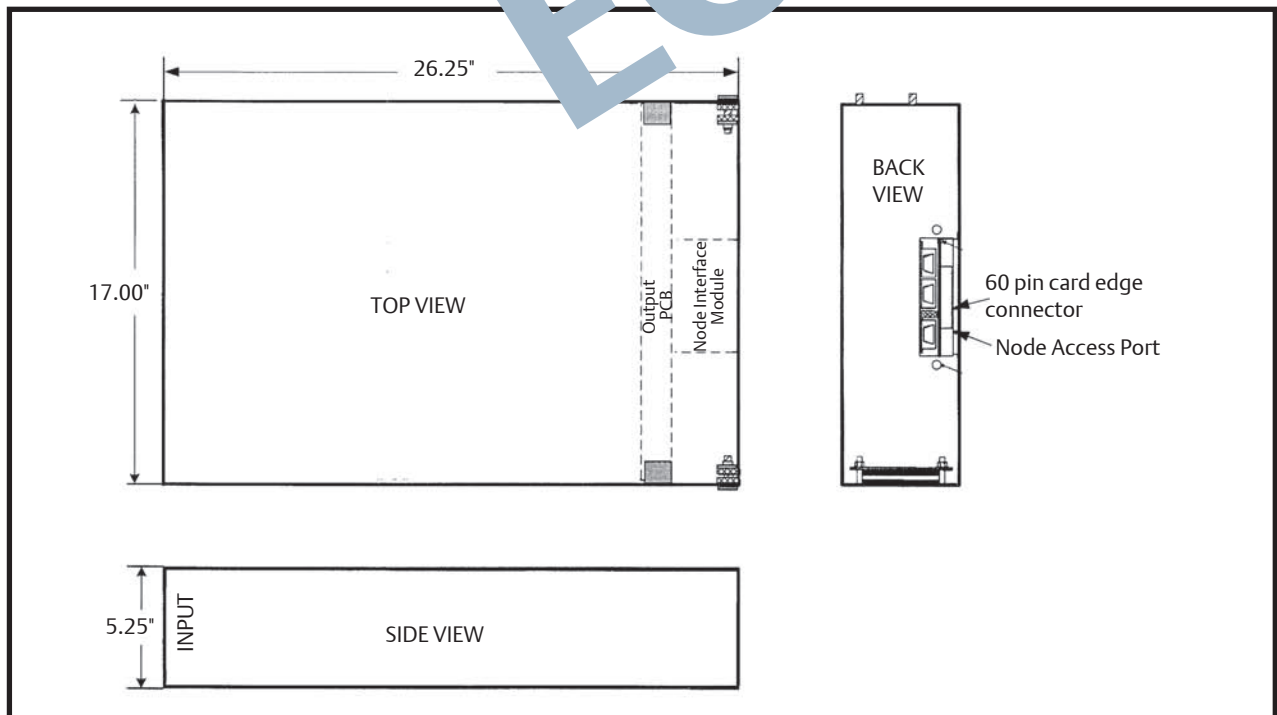
Pending



Back View



Inside View



X-ON Electronics

Largest Supplier of Electrical and Electronic Components

Click to view similar products for [Modular Power Supplies](#) category:

Click to view products by [Artesyn Embedded Technologies](#) manufacturer:

Other Similar products are found below :

[73-147-000](#) [73-270-000](#) [73-316-4020](#) [73-317-0005](#) [73-495-0333](#) [73-961-4086-G2](#) [GLD150-48-103-G](#) [PS3E-B12F](#) [PS3E-E12F](#) [AS300-MLF](#)
[OVS-12E](#) [OVS-12F](#) [OVS-12J](#) [OVS-15F](#) [OVS-15J](#) [IVS13Q2Q1F4LL030ANJCUNR32](#) [LB115S48KH](#) [FP2-PSA1](#) [PS3E-F12F](#) [IMP4-3O1-](#)
[2J1-05-B-662](#) [UPS40-3003](#) [LB240S48KH](#) [LMM409 CHASSIS](#) [LPM615-CHAS](#) [ADNB008-48-1PM-C](#) [ADNB017-24-1PM-C](#) [ADNB040-24-](#)
[1PM-C](#) [VAS003ZG](#) [ADNB050-12-1PM-C](#) [ADNB040-15-1PM-C](#) [ADNB034-12-1PM-C](#) [73-166-000](#) [73-271-000](#) [73-961-4085-G2](#) [73-962-](#)
[0001](#) [OVS-15G](#) [1-155777G](#) [OVS-24F](#) [OVS-5F](#) [73-551-5086](#) [73-554-4047](#) [73-670-0001I](#) [73-713-001](#) [73-769-003](#) [73-954-0001C-G2](#) [73-](#)
[951-0001S-G2](#) [73-560-434](#) [73-180-0001I](#) [73-554-4045](#) [73-956-0001S-G2](#)