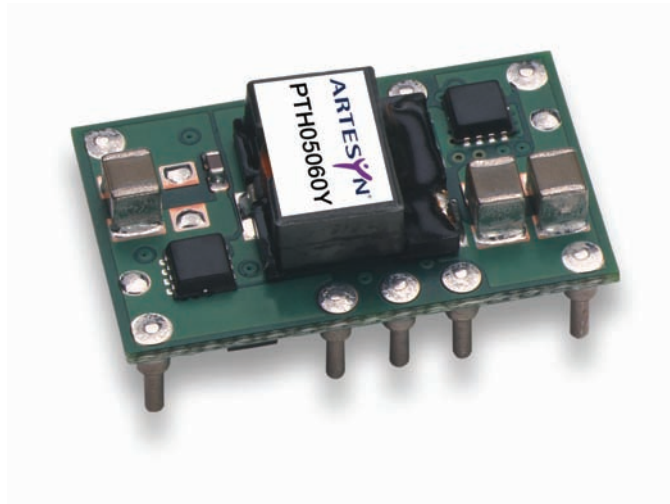


## PTHxx060Y 3.3/5/12 Vin

Total Power: 18 Watts  
# of Outputs: Single



### Special Features

- $V_{TT}$  bus termination output (output the system  $V_{REF}$ )
- 10 A output current
- 3.3, 5 or 12 Vdc input voltage
- DDR and QDR compatible
- ON/OFF inhibit (for  $V_{TT}$  standby)
- Under-voltage lockout
- Operating temperature range:  $-40^{\circ}\text{C}$  to  $+85^{\circ}\text{C}$
- Efficiencies up to 91%
- Output overcurrent protection (non-latching, auto-reset)
- Point-of-Load-Alliance (POLA) compatible
- Available RoHS compliant
- 2 Year Warranty

### Safety

- UL/cUL CAN/CSA-C22.2 No. 60950, File No. E174104
- TÜV Product Service (EN60950) Certificate No. B 04 06 38572 044  
CB Report and Certificate to IEC60950, Certificate No. US/8292/UL

### Specifications

Input		
Input current:	No load	10 mA
Input voltage range:	PTH03060Y PTH05060Y PTH12060Y	2.95 - 3.65 Vdc 4.5 - 5.5 Vdc 10.8 - 13.2 Vdc
Undervoltage lockout:		
	PTH03060Y	Vin increasing 2.45 V typ., 2.80 V max. Vin decreasing 2.20 V min., 2.40 V typ.
	PTH05060Y	Vin increasing 4.30 V typ., 4.45 V max. Vin decreasing 3.40 V min., 3.70 V typ.
	PTH12060Y	Vin increasing 9.5 V typ., 10.4 V max. Vin decreasing 8.80 V min., 9.0 V typ.
Input capacitance: (See Note 3, page 3)	PTH03060Y & PTH05060Y PTH12060Y	330 $\mu\text{F}$ 560 $\mu\text{F}$
Remote ON/OFF:		Positive logic

All specifications are typical at nominal input,  $V_{ref} = 1.25\text{ V}$ , full load at  $25^{\circ}\text{C}$  unless otherwise stated.  
 $C_{in}$ ,  $C_{o1}$  and  $C_{o2}$  = typical value



## Specifications Continued

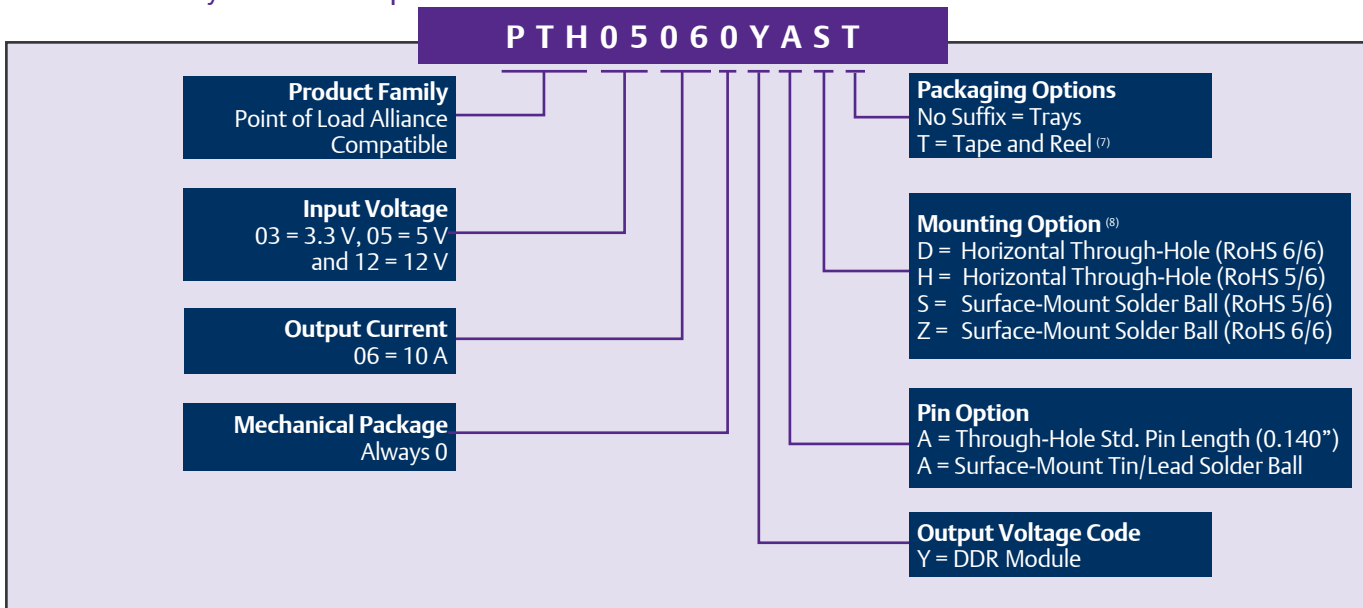
Output		
Output current: (See Note 1, page 3)	(over $V_{REF}$ range)	$\pm 10$ A
Tracking range for $V_{REF}$ :		0.55 - 1.8 V
Tracking tolerance to $V_{REF}$ ( $V_{TT} - V_{REF}$ ): (over line, load & temperature)		-10 mV to + 10 mV
Ripple and noise:	20 MHz bandwidth	20 mV pk-pk
Load transient response: (See Note 4, page 3)		30 $\mu$ s settling time Overshoot/undershoot 25 mV typ.
Output capacitance:		
Non-ceramic values (See Notes 4 & 5, page 3)	PTH03060Y PTH05060Y PTH12060Y	470 $\mu$ F typ., 5,500 $\mu$ F max. 470 $\mu$ F typ., 5,500 $\mu$ F max. 940 $\mu$ F typ., 5,500 $\mu$ F max.
Ceramic values (See Note 4, page 3)	PTH03060Y PTH05060Y PTH12060Y	200 $\mu$ F typ., 300 $\mu$ F max. 200 $\mu$ F typ., 300 $\mu$ F max. 400 $\mu$ F typ., 600 $\mu$ F max.
(See Note 6, page 3)	ESR (non-ceramic)	4 m $\Omega$ min.

General Specifications		
Efficiency: $I_o = 8$ A	PTH03060Y PTH05060Y PTH12060Y	86% typ. 86% typ. 83% typ.
Insulation voltage:		Non-isolated
Switching frequency:	PTH03060Y PTH05060Y PTH12060Y	550 - 650 kHz 550 - 650 kHz 200 - 300 kHz
Approvals and standards:		EN60950 UL/cUL60950
Material flammability:		UL94V-0
Dimensions:	(L x W x H)	25.27 x 15.75 x 9.00 mm 0.995 x 0.620 x 0.354 in
Weight:		3.7 g (0.13 oz)
MTBF:	Telcordia SR-332	6,000,000 hours
Environmental Specifications		
Thermal Performance: (See Note 2)	Operating ambient, temperature Non-operating	-40 $^{\circ}$ C to +85 $^{\circ}$ C -40 $^{\circ}$ C to +125 $^{\circ}$ C
MSL ('Z' suffix only):	JEDEC J-STD-020C	Level 3
Protection		
Overcurrent threshold (auto reset):	All models	20 A typ.

### Ordering Information

Output Power (max)	Input Voltage	$V_{TT}$ Range	Output Currents		Efficiency (max)	Model Numbers <sup>(8,9)</sup>
			Min	Max		
18 W	2.95 - 3.65 Vdc	0.55 - 1.8 Vdc	0 A	±10 A	86%	PTH03060Y
18 W	4.5 - 5.5 Vdc	0.55 - 1.8 Vdc	0 A	±10 A	86%	PTH05060Y
18 W	10.8 - 13.2 Vdc	0.55 - 1.8 Vdc	0 A	±10 A	83%	PTH12060Y

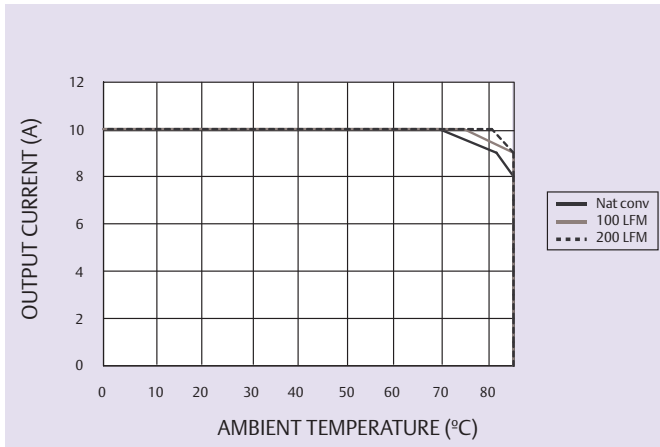
### Part Number System with Options



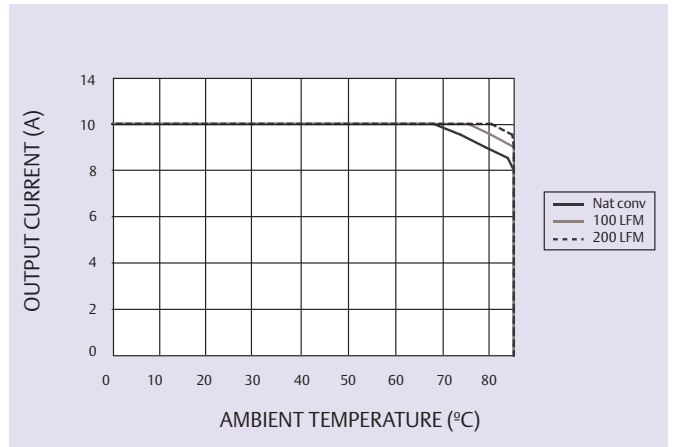
### Notes

- Rating is conditional on the module being soldered to a 4 layer PCB with 1 oz. copper. See the SOA curves or contact the factory for appropriate derating.
- This control pin has an internal pull-up to the input voltage  $V_{in}$ . If it is left open-circuit the module will operate when input power is applied. A small low-leakage (<100 nA) MOSFET is recommended for control. For further information, consult Application Note 179.
- An input capacitor is required for proper operation. The capacitor must be rated for a minimum of 500 mA rms (1000 mA for 12 V input) of ripple current. For further information, consult Application Note 179 on capacitor selection.
- The typical value of external output capacitance value ensures that  $V_{TT}$  meets the specified transient performance requirements for the memory bus terminations. Lower values of capacitance may be possible when the measured peak change in output current is consistently less than 3 A. Test conditions were 15 A/ $\mu$ s load step, -1.5 A to +1.5 A.
- This is the calculated maximum. The minimum ESR limitation will often result in a lower value. Consult Application Note 179 for further details.
- This is the typical ESR for all the electrolytic (non-ceramic) output capacitance. Use 7 m $\Omega$  as the minimum when using max-ESR values to calculate.
- Tape and reel packaging only available on the surface-mount versions.
- To order Pb-free (RoHS compatible) surface-mount parts replace the mounting option 'S' with 'Z', e.g. PTHXX060YAZ. To order Pb-free (RoHS compatible) through-hole parts replace the mounting option 'H' with 'D', e.g. PTHXX060YAD.
- NOTICE: Some models do not support all options. Please contact your local Emerson Network Power representative or use the on-line model number search tool at <http://www.PowerConversion.com> to find a suitable alternative.

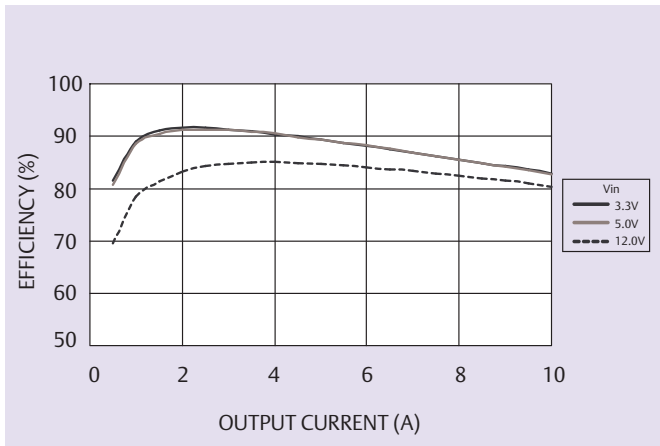
# PTHxx060Y Characteristic Data



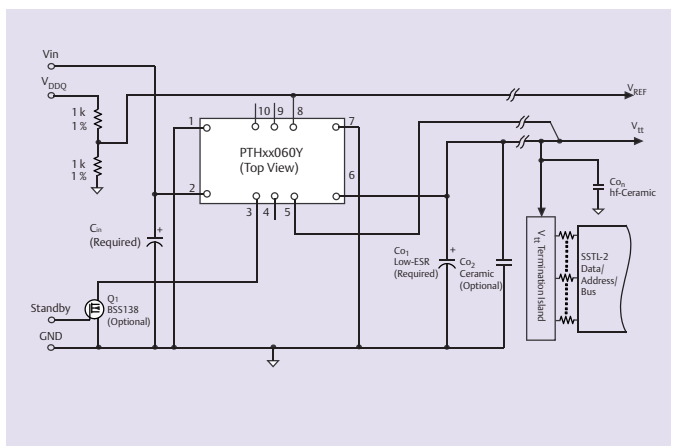
**Figure 1 - Safe Operating Area**  
 $V_{in} = 5.0\text{ V}$ ,  $V_{REF} = 1.25\text{ V}$ ,  $I_{out} = 10\text{ A}$  (See Note A)



**Figure 2 - Safe Operating Area**  
 $V_{in} = 12\text{ V}$ ,  $V_{REF} = 1.25\text{ V}$ ,  $I_{out} = 10\text{ A}$  (See Note A)



**Figure 3 - Efficiency vs Load Current**  
 $V_{REF} = 1.25\text{ V}$  (See Note B)



**Figure 4 - Standard Application**

## Notes

- A SOA curves represent the conditions at which internal components are within the Emerson Network Power derating guidelines.
- B Characteristic data has been developed from actual products tested at 25 °C. This data is considered typical data for the converter.

# Mechanical Drawings

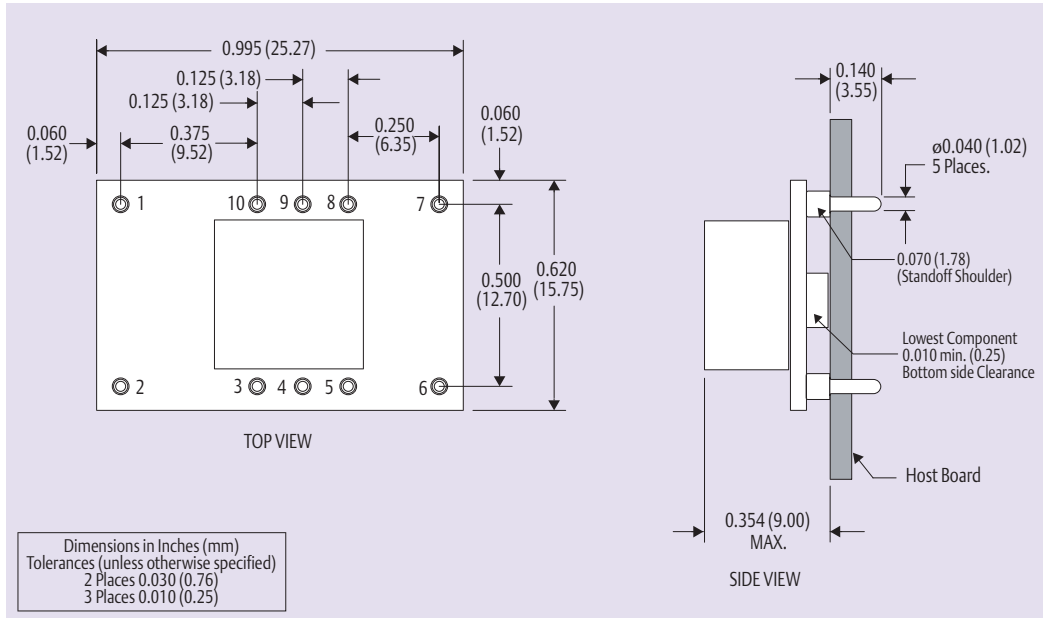


Figure 5 - Plated Through-Hole

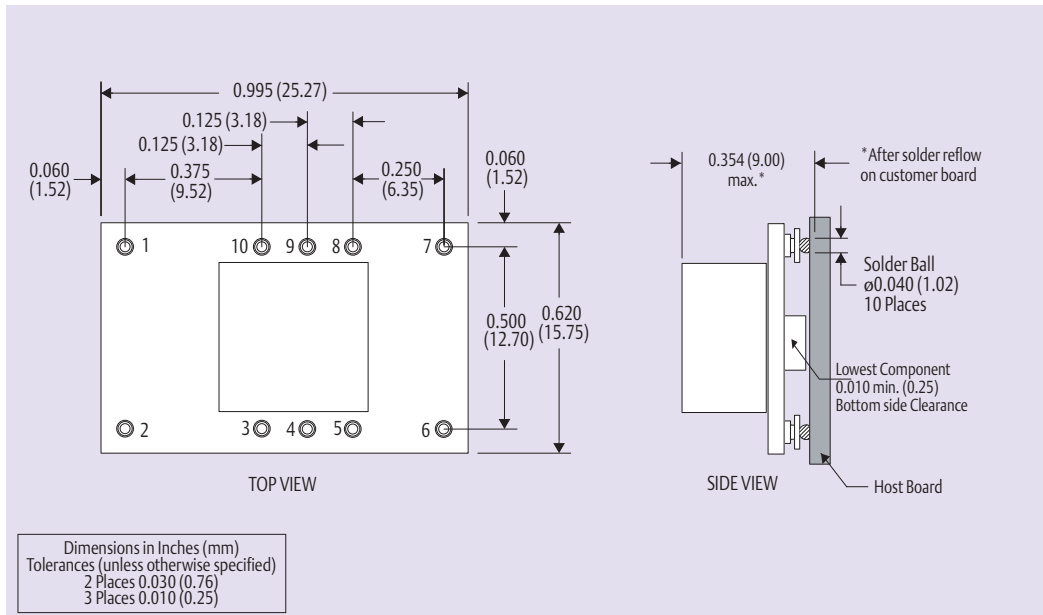


Figure 6 - Surface-Mount

Pin Connections	
Pin No.	Function
Pin 1	Ground
Pin 2	V <sub>in</sub>
Pin 3	Inhibit*
Pin 4	N/C
Pin 5	Vo sense

Pin Connections cont.	
Pin No.	Function
Pin 6	V <sub>TT</sub>
Pin 7	Ground
Pin 8	V <sub>REF</sub>
Pin 9	N/C
Pin 10	N/C

\*Denotes negative logic:  
Open = Normal operation  
Ground = Function active

## Americas

5810 Van Allen Way  
Carlsbad, CA 92008  
USA  
Telephone: +1 760 930 4600  
Facsimile: +1 760 930 0698

## Europe (UK)

Waterfront Business Park  
Merry Hill, Dudley  
West Midlands, DY5 1LX  
United Kingdom  
Telephone: +44 (0) 1384 842 211  
Facsimile: +44 (0) 1384 843 355

## Asia (HK)

14/F, Lu Plaza  
2 Wing Yip Street  
Kwun Tong, Kowloon  
Hong Kong  
Telephone: +852 2176 3333  
Facsimile: +852 2176 3888

For global contact, visit:

[www.PowerConversion.com](http://www.PowerConversion.com)

[techsupport.embeddedpower@emerson.com](mailto:techsupport.embeddedpower@emerson.com)

While every precaution has been taken to ensure accuracy and completeness in this literature, Emerson Network Power assumes no responsibility, and disclaims all liability for damages resulting from use of this information or for any errors or omissions.

**Emerson Network Power.**  
The global leader in enabling business-critical continuity.

- AC Power
- Connectivity
- DC Power
- Embedded Computing
- Embedded Power
- Monitoring
- Outside Plant
- Power Switching & Controls
- Precision Cooling
- Racks & Integrated Cabinets
- Services
- Surge Protection

**EmersonNetworkPower.com**

Emerson Network Power and the Emerson Network Power logo are trademarks and service marks of Emerson Electric Co.  
©2008 Emerson Electric Co.

## X-ON Electronics

Largest Supplier of Electrical and Electronic Components

*Click to view similar products for [Non-Isolated DC/DC Converters](#) category:*

*Click to view products by [Artesyn Embedded Technologies](#) manufacturer:*

Other Similar products are found below :

[PSR152.5-7IR](#) [APTH003A0X-SRZ](#) [SPM1004-3V3C](#) [R-785.0-05](#) [10E24-P15-10PPM](#) [1E24-P4-25PPM-SHV-5KV](#) [CA-17205-L4](#)  
[PROPOWER-3.3V](#) [MYGTM01210BZN](#) [40C24-N250-I5-H](#) [40A24-P30-E](#) [3V12-P0.8](#) [10C24-N250-I10-AQ-DA](#) [4AA24-P20-M-H](#) [3V12-](#)  
[N0.8](#) [3V24-P1](#) [3V24-N1](#) [BMR4672010/001](#) [BMR4652010/001](#) [6AA24-P30-I5-M](#) [6AA24-N30-I5-M](#) [BM2P101X-Z](#) [35A24-P30](#) [2.5M24-P1](#)  
[PTV03010WAD](#) [PTV05020WAH](#) [PTV12010LAH](#) [PTV12020WAD](#) [R-7212D](#) [R-7212P](#) [R-78AA15-0.5SMD](#) [R-78AA5.0-1.0SMD](#) [30A24-](#)  
[N15-E](#) [10A12-P4-M](#) [10C24-N250-I5](#) [10C24-P125](#) [10C24-P250-I5](#) [6A24-P20-I10-F-M-25PPM](#) [1A24-P30-F-M-C](#) [TSR 1-24150SM](#)  
[1/2AA24-N30-I10](#) [1C24-N125](#) [12C24-N250](#) [V7806-1500](#) [PTV12020LAH](#) [PTV05010WAH](#) [PTN04050CAZT](#) [PTH12020WAD](#)  
[PTH12020LAS](#) [PTH05050YAH](#)