

SIL15C Series

C-Class Non-Isolated

Data Sheet

Total Power: 75 Watts
Input Voltage: 4.5 - 5.5 Vdc or
 10.2 - 13.8 Vdc
of Outputs: Single

SPECIAL FEATURES

- 15 A current rating
- Input voltage range: 4.5 - 5.5 Vdc or 10.2 - 13.8 Vdc
- Output voltage: 0.9 - 5.0 V
- Industry-leading value
- Cost optimized design
- Excellent transient response
- Output voltage adjustability
- Path for future upgrades
- Supports silicon voltage migration
- Reduced design-in and qual time
- Designed-in reliability: MTBF of >7 million hours per Telcordia SR-332
- Available RoHS compliant
- Two year warranty

SAFETY

- UL, cUL CAN/CSA 22.2 No. E139421
- UL6950 File No. E139421
- TÜV Product Service (EN60950)
- Certificate No. B 04 08 19870 228
- CB report and certificate to US/6415C/UL



Electrical Specifications

Input		
Input voltage range	5 V input model 12 V input model	4.5 - 5.5 Vdc 10.2 - 13.8 Vdc
Input current	Minimum load Remote OFF	65 mA 20 mA
Input current (max.) (See Note 3)	5 V input model 12 V input model	11.5 A @ Io max. 8.1 A @ Io max.
Input reflected ripple (See Note 4)	5 V input model 12 V input model	200 mA (pk-pk) 200 mA (pk-pk)
Remote ON/OFF Logic compatibility ON OFF		Active high >2.4 Vdc <0.8 Vdc
Start-up time (See Note 9)	Power up Remote ON/OFF	<20 ms <20 ms
Turn ON threshold	5 Vin 12 Vin	4.5 Vdc 9.0 Vdc
Turn OFF threshold	5 Vin 12 Vin	4.3 Vdc 7.5 Vdc
Output		
Voltage adjustability (See Note 5)	5 V input model 12 V input model	0.9 - 3.3 Vdc 0.9 - 5.0 Vdc
Output setpoint accuracy	with 1.0% trim resistors	±2.5%
Line regulation	Low line to high line	±0.2%
Load regulation	Full load to min. load	±0.5%
Min/Max load		0 A/15 A
Overshoot (at turn on)	5 V input model 12 V input model	3.0% max. 1.0% max.
Undershoot		100 mV max.
Ripple and noise	5 Hz to 20 MHz (See Note 1)	See table
Transient response (See Note 2)	Deviation	100 mV; 200 μs recovery to within regulation band

All specifications are typical at nominal input, full load at 25°C unless otherwise stated.

General Specifications

Efficiency		See Table
Switching frequency	Fixed	200 kHz
Approvals and standards	(See Note 4)	TÜV Product Services EN60950, UL/cUL60950
Material flammability		UL94V-0
Weight		14.2 g (0.5 oz)
MTBF	Telcordia SR-332	7,817,294 hours

Environmental Specifications

Thermal performance	Operating ambient temperature	-0 °C to +80 °C
(See Note 8)	Non-operating temperature	-40 °C to +125 °C
Protection		
Short-circuit	Hiccup, non latching	
Recommended System Capacitance		
Input capacitance	(See Note 11)	270 µF / 20 mW ESR max.
Output capacitance	(See Note 11)	680 µF / 10 mW ESR max.

Ordering Information

Model Number ^(8, 13, 14)	Output Power (Max.)	Input Voltage	Output Voltage ⁽¹²⁾	Output Current (Min.)	Output Current (Max.)	Efficiency (Typical)	Regulation	
							Line	Load
SIL15C-05SADJ-VJ	50 W	4.5 - 5.5 Vdc	0.9 - 3.3 V	0 A	15 A	89%	±0.2%	±0.5%
SIL15C-12SADJ-VJ	75 W	10.2 - 13.8 Vdc	0.9 - 5.0 V	0 A	15 A	91%	±0.2%	±0.5%

Part Number System with Options

Product Family	Rated Output Current	Performance	Input Voltage	Number of Outputs	Mounting Option	Packaging Options
SIL	15	C	12	SADJ	V	J
SIL = Single In Line	15 = 15 Amps	C = Cost Optimized	05 = 4.5 - 5.5 12 = 10.2 - 13.8	Single Adjustable Output	V = Vertical H = Horizontal	J = Pb free (RoHS 6/6 compliant)

Output Voltage Adjustment

The ultra-wide output voltage trim range offers major advantages to users who select the SIL15C series. It is no longer necessary to purchase a variety of modules in order to cover different output voltages. The output voltage can be trimmed in a range of 0.9 Vdc to 5.0 Vdc. When the SIL15C series converter leaves the factory the output has been adjusted to the default voltage of 0.9 V.

Ripple and Noise Specification

Model	Output Voltage	Pk - Pk	RMS
5 V input models	0.9 - 2.5 Vdc 3.3 Vdc	30 mV 40 mV	15 mV 15 mV
12 V input models	0.9 - 2.5 Vdc 3.3 Vdc	50 mV 50 mV	20 mV 20 mV

Notes:

- Measured as per recommended set-up. Cin = 270 µF (20 mW ESR max.). Cout = 680 µF (10 mW ESR max.).
- di/dt = 10 A/µs, Vin = Nom, Tc = 25 °C, load change = 0.5 Io max. to 0.75 Io max. and 0.75 Io max. to 0.5 Io max.
- External input fusing recommended.
- Measured with external filter. See Application Note 131 for details.
- Uses external resistor from trim pin to output ground. Min value = 485 Ω for 5 V model, 280 Ω for 12 V model. See Application Note 131 for details.
- Signal line assumed <3 m in length
- This product is only for inclusion by professional installers within other equipment and must not be operated as a stand-alone product.
- The standard unit with the suffix '-V' is for vertical mounting. To order a unit with horizontal mounting, please add the suffix '-H' to the model number, e.g. SIL15C-05SADJ-HJ.
- Power up is the time from application of dc input to Power Good enabled. Remote ON/OFF is from ON/OFF asserted high to Power Good enabled.
- See Application Note 131 for operation above 50 °C.
- See Application Note 131 for ripple current requirements
- These models have a wide trim output. 5 Vin has an output of 0.9 Vdc to 3.3 Vdc and 12 Vin has an output of 0.9 Vdc to 5 Vdc. An external resistor adjusts the output voltage.
- To order a unit with a pin length of 0.150", please add suffix 'P4' to the model number, e.g. SIL15C-05SADJ-HP4J.
- NOTICE: Some models do not support all options. Please contact your local Artesyn representative or use the on-line model number search tool at <http://www.artesyn.com> to find a suitable alternative.

Mechanical Drawings

Pin Assignments	
Pin	Function
1	Vout
2	Vout
3	Vout
4	Trim
5	Remote ON/OFF
6	Power Good
7	Ground
8	Ground
9	Reserved
10	Vin
11	Vin
12	Mechanical support (Horiz only)
13	Mechanical support (Horiz only)

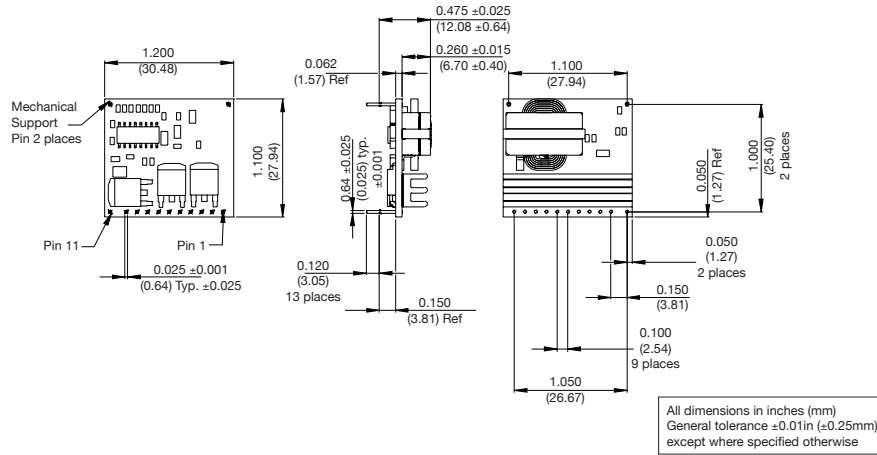


Figure 1: Mechanical Drawing - Horizontal Mount Version

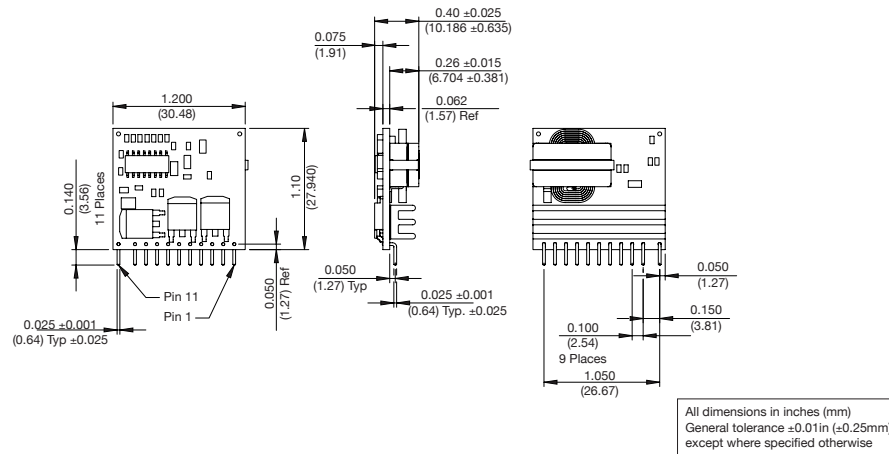


Figure 2: Mechanical Drawing - Vertical Mount Version

WORLDWIDE OFFICES

Americas

2900 South Diablo Way
Suite B100
Tempe, AZ 85282, USA
+1 888 412 7832

Europe (UK)

Ground Floor Offices, Barberry House
4 Harbour Buildings, Waterfront West
Brierley Hill, West Midlands
DY5 1LN, UK
+44 (0) 1384 842 211

Asia (HK)

14/F, Lu Plaza
2 Wing Yip Street
Kwun Tong, Kowloon
Hong Kong
+852 2176 3333

ARTESYNTM
An Advanced Energy Company

www.artesyn.com

Artesyn Embedded Technologies, Artesyn Embedded Power, Artesyn, and all Artesyn related logos are trademarks and service marks of Artesyn Embedded Technologies, Inc. All other names and logos referred to are trade names, trademarks, or registered trademarks of their respective owners. Specifications are subject to change without notice. © 2019 Artesyn Embedded Technologies, Inc. All rights reserved. For full legal terms and conditions, please visit www.artesyn.com/legal.

For more information: www.artesyn.com
For support: productsupport.ep@artesyn.com

X-ON Electronics

Largest Supplier of Electrical and Electronic Components

Click to view similar products for [Isolated DC/DC Converters](#) category:

Click to view products by [Artesyn Embedded Technologies](#) manufacturer:

Other Similar products are found below :

[ESM6D044440C05AAQ](#) [FMD15.24G](#) [PSL486-7LR](#) [PSR152.5-7IR](#) [Q48T30020-NBB0](#) [AVO240-48S12B-6L](#) [AVO250-48S28B-6L](#) [NAN-0505](#) [HW-L16D](#) [JAHW100Y1](#) [217-1617-001](#) [22827](#) [SPB05C-12](#) [SQ24S15033-PS0S](#) [18952](#) [19-130041](#) [CE-1003](#) [CE-1004](#) [GQ2541-7R](#) [PSE1000DCDC-12V](#) [RDS180245](#) [MAU228](#) [419-2065-201](#) [449-2075-101](#) [TME 0303S](#) [TME 0505S](#) [TME 1205S](#) [TME 1212S](#) [TME 2405S](#) [TME 2412S](#) [J80-0041NL](#) [V300C24C150BG](#) [419-2062-200](#) [419-2063-401](#) [419-2067-101](#) [419-2067-501](#) [419-2068-001](#) [DCG40-5G](#) [DFC15U48D15](#) [449-2067-000](#) [XGS-0512](#) [XGS-1205](#) [XGS-1212](#) [XGS-2412](#) [XGS-2415](#) [XKS-1215](#) [033456](#) [NCT1000N040R050B](#) [SPB05B-15](#) [SPB05C-15](#)