

## SIL/SMT20C2 Series

C-Class Non-Isolated

### Data Sheet

**Total Power:** 20 Amps  
**Input Voltage:** 4.5 - 13.8 Vdc  
**# of Outputs:** Single

### SPECIAL FEATURES

- 20 A current rating
- Input voltage range: 4.5 - 13.8 Vdc
- Output voltage: 0.59 - 5.1 V
- Industry-leading value
- Cost optimized design
- Excellent transient response
- Output enable
- Output voltage adjustability
- Path for future upgrades
- Supports silicon voltage migration
- Reduced design-in and qual time
- Current sink capability
- RoHS compliant
- Two year warranty

### SAFETY

- UL, cUL CAN/CSA 22.2 No.
- TÜV Product Service (EN60950)
- CB report and certificate to IEC60950



### Electrical Specifications

#### Input

Input voltage range		4.5 - 13.8 Vdc
Input current	Minimum load Remote OFF	50 mA 5 mA
Input current (max.)	See Note 3	18 A @ I <sub>o</sub> max.
Start-up time	Remote ON/OFF	3 ms

#### Output

Output voltage	See Note 5	0.59 - 5.1 V
Output setpoint accuracy	0.1% trim resistors	±1.0%
Line regulation	Low line to high line	±0.2%
Load regulation	Full load to min. load	±0.5%
Min./max. load		0 A/20 A
Overshoot	At turn-on	0.5% max.
Undershoot	At turn-off	100 mV max.
Ripple and noise 5 Hz to 20 MHz	See Note 1	30 mV V <sub>in</sub> = 5 V, V <sub>out</sub> = 2.5 V
Transient response	See Note 1, 2	130 mV max. deviation; 50 μs recovery to within regulation band

#### General

Efficiency	V <sub>in</sub> = 5 V, V <sub>o</sub> = 2.5 V, I <sub>o</sub> = 20 A	90%
Switching frequency	Fixed	750 kHz
Material flammability		UL94V-0
Approvals and standards		EN60950; UL/cUL6950
Weight		8.50 g (0.03 oz.)
MTBF	12 V @ 40 °C, 100% load Bellcore 332	6,721,853 hours
Coplanarity		150 μm

All specifications are typical at nominal input, full load at 25 °C, unless otherwise stated.

### Environmental Specifications

Thermal performance	Operating ambient temperature	-0 °C to +70 °C
See Note 5	Non-operating temperature	-40 °C to +125 °C
<b>Protection</b>		
Short-circuit	Hiccup, non-latching	
Oversoltage protection	Hiccup, non-latching	
<b>Recommended System Capacitance</b>		
Input	See Note 6	0 μF
Output	See Note 7	0 μF

### Ordering Information

Model Number <sup>®</sup>	Output Power (Max.)	Input Voltage	Mount	Output Voltage	Output Current (Min.)	Output Current (Max.)	Efficiency (Typical)	Regulation	
								Line	Load
SIL20C2-00SADJ-HJ	100 W	4.5 - 13.8 Vdc	Horizontal	0.59 - 5.1 V	0 A	20 A	93%	±0.2%	±0.5%
SIL20C2-00SADJ-VJ	100 W	4.5 - 13.8 Vdc	Vertical	0.59 - 5.1 V	0 A	20 A	93%	±0.2%	±0.5%
SMT20C2-00SADJJ	100 W	4.5 - 13.8 Vdc	Horizontal Surface Mount	0.59 - 5.1 V	0 A	20 A	93%	±0.2%	±0.5%

### Part Number System with Options

Product Family	Rated Output Current	Performance	Generation	Input Voltage	Output Voltage	Mounting Option	RoHS Compliance
<b>SXX</b>	<b>20</b>	<b>C</b>	<b>2</b>	<b>00</b>	<b>SADJ</b>	<b>V</b>	<b>J</b>
SIL = Single In Line SMT = Surface Mount	06 = 6 Amp 15 = 15 Amp 20 = 20 Amp 30 = 30 Amp 40 = 40 Amp	C = Cost Optimized	Blank = Standard 2 = Increased current density	00 = 4.5 - 13.8 V	Single Adjustable Output	V = Vertical H = Horizontal Blank = Horizontal Surface Mount	J = Pb free (RoHS 6/6 compliant)

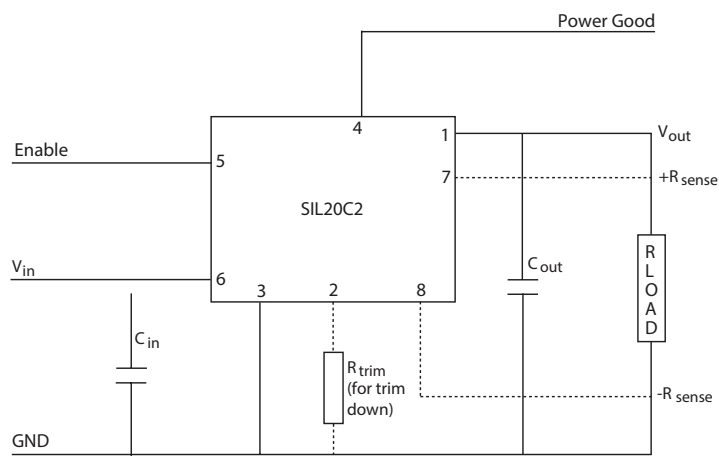
### Output Voltage Adjustment

The ultra-wide output voltage trim range offers major advantages to users who select the SIL/SMT40C2 series. It is no longer necessary to purchase a variety of modules in order to cover different output voltages. The output voltage can be trimmed in a range of 0.59 - 5.1 V. When the SIL20C2 converter leaves the factory, the output has been adjusted to the default voltage of 0.59 V.

**Notes:**

1. Measured as per recommended system capacitance.
2. di/dt = 10 A/μs, Vin = Nom, Tc = 25 °C, load change = 0.75 Io to full Io and full Io to 0.75.
3. External input fusing is recommended.
4. Additional part numbers may be available with different output voltages.
5. Airflow dependent, 100 LFM minimum required.
6. No capacitors needed for ripple current stability.
7. No capacitors needed for stability.
8. NOTICE: Some models do not support all options. Please contact your local Artesyn Embedded Technologies representative or use the on-line model number search tool at <http://www.Artesyn.com/power> to find a suitable alternative.

### Standard Application Drawing

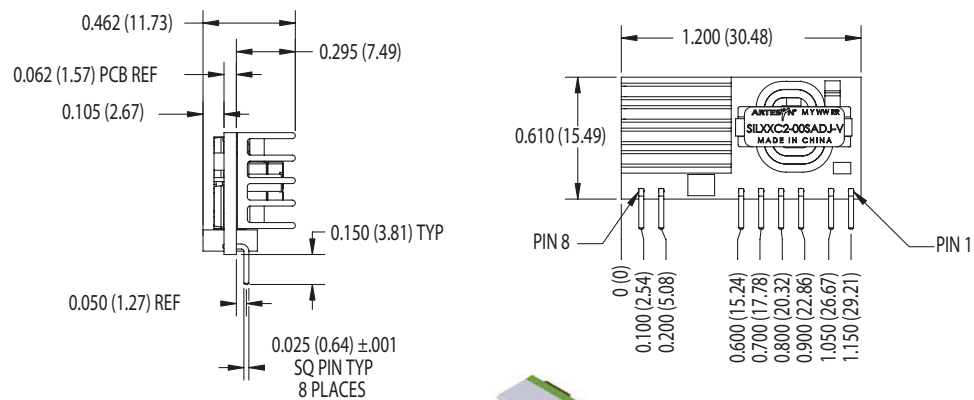


## Mechanical Drawings

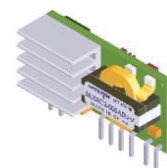
### Vertical Mount

#### Pin Assignments

Pin	Function
1	Vout
2	Trim
3	Ground
4	Power Good
5	Enable
6	Vin
7	Remote Sense (+)
8	Remote Sense (-)



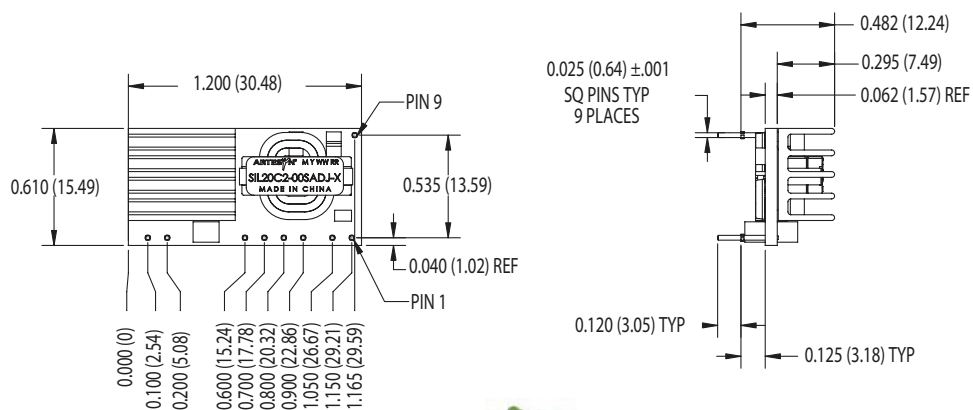
Dimensions in Inches (mm)  
Tolerances (unless otherwise specified)  
2 Places  $\pm 0.030$  ( $\pm 0.76$ )  
3 Places  $\pm 0.010$  ( $\pm 0.25$ )



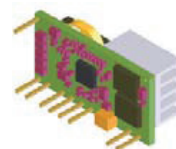
### Horizontal Mount

#### Pin Assignments

Pin	Function
1	Vout
2	Trim
3	Ground
4	Power Good
5	Enable
6	Vin
7	Remote Sense (+)
8	Remote Sense (-)
9	Mech Support (Horizontal version only)



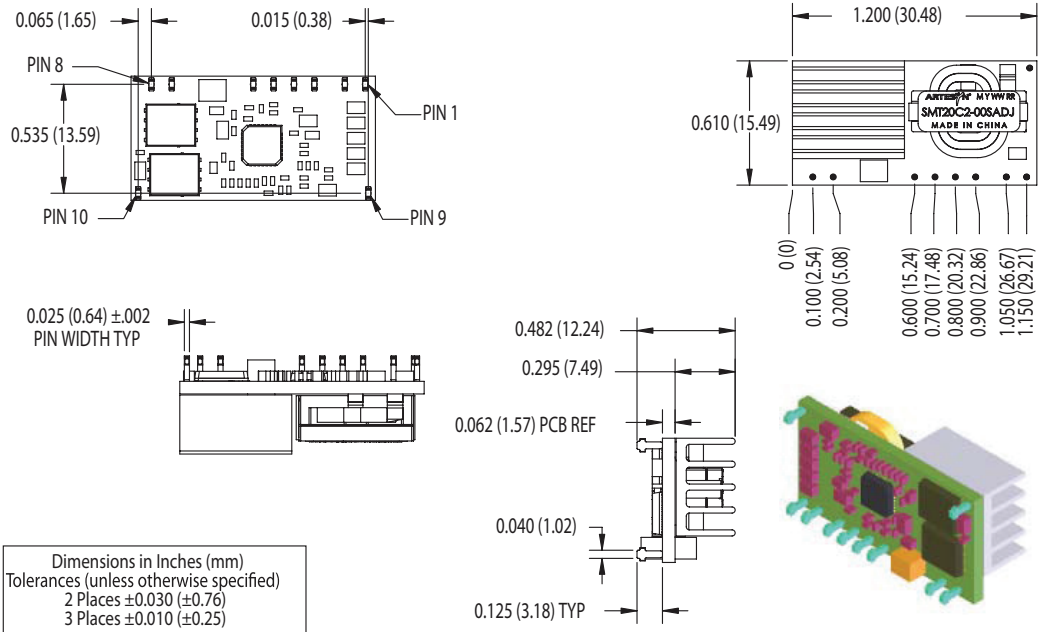
Dimensions in Inches (mm)  
Tolerances (unless otherwise specified)  
2 Places  $\pm 0.030$  ( $\pm 0.76$ )  
3 Places  $\pm 0.010$  ( $\pm 0.25$ )



## Mechanical Drawings

### Surface Mount

Pin Assignments	
Pin	Function
1	Vout
2	Trim
3	Ground
4	Power Good
5	Enable
6	Vin
7	Remote Sense (+)
8	Remote Sense (-)
9	Mech Support (Horizontal Version only)
10	Mech Support (Horizontal Version only)



## WORLDWIDE OFFICES

### Americas

2900 S.Diablo Way  
Tempe, AZ 85282  
USA  
+1 888 412 7832

### Europe (UK)

Waterfront Business Park  
Merry Hill, Dudley  
West Midlands, DY5 1LX  
United Kingdom  
+44 (0) 1384 842 211

### Asia (HK)

14/F, Lu Plaza  
2 Wing Yip Street  
Kwun Tong, Kowloon  
Hong Kong  
+852 2176 3333

**ARTESYN**  
EMBEDDED TECHNOLOGIES

[www.artesyn.com](http://www.artesyn.com)

While every precaution has been taken to ensure accuracy and completeness in this literature, Artesyn Embedded Technologies assumes no responsibility, and disclaims all liability for damages resulting from use of this information or for any errors or omissions. Artesyn Embedded Technologies, Artesyn and the Artesyn Embedded Technologies logo are trademarks and service marks of Artesyn Embedded Technologies, Inc. All other names and logos referred to are trade names, trademarks, or registered trademarks of their respective owners. © 2015 Artesyn Embedded Technologies, Inc.

For more information: [www.artesyn.com/power](http://www.artesyn.com/power)  
For support: [productsupport.ep@artesyn.com](mailto:productsupport.ep@artesyn.com)

## X-ON Electronics

Largest Supplier of Electrical and Electronic Components

*Click to view similar products for [Non-Isolated DC/DC Converters](#) category:*

*Click to view products by [Artesyn Embedded Technologies](#) manufacturer:*

Other Similar products are found below :

[PSR152.5-7IR](#) [APTH003A0X-SRZ](#) [SPM1004-3V3C](#) [R-785.0-05](#) [10E24-P15-10PPM](#) [1E24-P4-25PPM-SHV-5KV](#) [PROPOWER-3.3V](#)  
[MYGTM01210BZN](#) [40C24-N250-I5-H](#) [40A24-P30-E](#) [3V12-P0.8](#) [10C24-N250-I10-AQ-DA](#) [4AA24-P20-M-H](#) [3V12-N0.8](#) [3V24-P1](#) [3V24-](#)  
[N1](#) [BMR4672010/001](#) [BMR4652010/001](#) [6AA24-P30-I5-M](#) [6AA24-N30-I5-M](#) [BM2P101X-Z](#) [35A24-P30](#) [2.5M24-P1](#) [PTV03010WAD](#)  
[PTV05020WAH](#) [PTV12010LAH](#) [PTV12020WAD](#) [R-7212D](#) [R-7212P](#) [R-78AA15-0.5SMD](#) [R-78AA5.0-1.0SMD](#) [30A24-N15-E](#) [10A12-P4-](#)  
[M](#) [10C24-N250-I5](#) [10C24-P125](#) [10C24-P250-I5](#) [6A24-P20-I10-F-M-25PPM](#) [1A24-P30-F-M-C](#) [TSR 1-24150SM](#) [1/2AA24-N30-I10](#) [1C24-](#)  
[N125](#) [12C24-N250](#) [V7806-1500](#) [PTV12020LAH](#) [PTV05010WAH](#) [PTN04050CAZT](#) [PTH12020WAD](#) [PTH12020LAS](#) [PTH05050YAH](#)  
[PTH05T210WAH](#)