

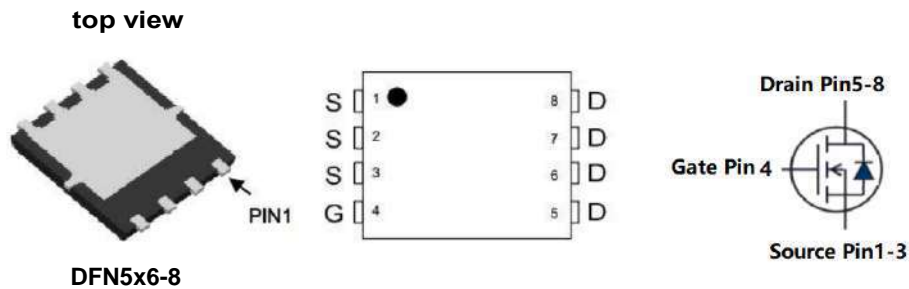


### Features

- High ruggedness
- Low Gate Charge (Typ 143nC)
- Improved dv/dt Capability
- 100% Avalanche Tested
- Application: Synchronous Rectification, Li Battery Protect Board, Inverter

### Product Summary

$V_{DS}$	30	V
$R_{DS(on), Typ} @ V_{GS}=10\text{ V}$	1.7	mΩ
$I_D$	150	A



### Absolute maximum ratings

Symbol	Parameter	Value	Unit
$V_{DSS}$	Drain to source voltage	30	V
$I_D$	Continuous drain current (@ $T_c=25^\circ\text{C}$ )	150*	A
	Continuous drain current (@ $T_c=100^\circ\text{C}$ )	78*	A
$I_{DM}$	Drain current pulsed(note 1)	600	A
$I_{DSM}$	Continuous drain current (@ $T_a=25^\circ\text{C}$ )	30	A
	Continuous drain current (@ $T_a=70^\circ\text{C}$ )	24	A
$V_{GS}$	Gate to source voltage	$\pm 20$	V
$E_{AS}$	Single pulsed avalanche energy (note 2)	576	mJ
$E_{AR}$	Repetitive avalanche energy (note 1)	57	mJ
dv/dt	Peak diode recovery dv/dt (note 3)	5	V/ns
$P_D$	Total power dissipation (@ $T_c=25^\circ\text{C}$ )	43	W
	Total power dissipation (@ $T_a=25^\circ\text{C}$ )	2.6	W
$T_{STG}, T_J$	Operating junction temperature & storage temperature	-55 ~ + 150	$^\circ\text{C}$

\*. Drain current is limited by junction temperature.

### Thermal characteristics

Symbol	Parameter	Value	Unit
$R_{thjc}$	Thermal resistance, Junction to case	1.8	$^\circ\text{C/W}$
$R_{thja}$	Thermal resistance, Junction to ambient	62	$^\circ\text{C/W}$

Note:  $R_{thja}$  is the sum of the junction-to-case and case-to-ambient thermal resistance where the case thermal reference is defined as the solder mounting surface of the drain pins.  $R_{thjc}$  is guaranteed by design while  $R_{thca}$  is determined by the user's board design.



**Electrical characteristic** (  $T_J = 25^{\circ}\text{C}$  unless otherwise specified )

Symbol	Parameter	Test conditions	Min.	Typ.	Max.	Unit
<b>Off characteristics</b>						
$BV_{DSS}$	Drain to source breakdown voltage	$V_{GS}=0V, I_D=250\mu A$	30			V
$\Delta BV_{DSS} / \Delta T_J$	Breakdown voltage temperature coefficient	$I_D=250\mu A$ , referenced to $25^{\circ}\text{C}$		0.02		V/ $^{\circ}\text{C}$
$I_{DSS}$	Drain to source leakage current	$V_{DS}=30V, V_{GS}=0V$			1	$\mu A$
		$V_{DS}=24V, T_J=125^{\circ}\text{C}$			50	$\mu A$
$I_{GSS}$	Gate to source leakage current, forward	$V_{GS}=20V, V_{DS}=0V$			100	nA
	Gate to source leakage current, reverse	$V_{GS}=-20V, V_{DS}=0V$			-100	nA
<b>On characteristics</b>						
$V_{GS(TH)}$	Gate threshold voltage	$V_{DS}=V_{GS}, I_D=250\mu A$	1.2		2.4	V
$R_{DS(ON)}$	Drain to source on state resistance	$V_{GS}=4.5V, I_D=30A, T_J=25^{\circ}\text{C}$		3.4	4.5	m $\Omega$
		$V_{GS}=10V, I_D=30A, T_J=25^{\circ}\text{C}$		1.7	2.5	m $\Omega$
$G_{fs}$	Forward transconductance	$V_{DS}=5V, I_D=30A$		73		S
<b>Dynamic characteristics</b>						
$C_{iss}$	Input capacitance	$V_{GS}=0V, V_{DS}=15V, f=1\text{MHz}$		6272		pF
$C_{oss}$	Output capacitance			1022		
$C_{rss}$	Reverse transfer capacitance			718		
$t_{d(on)}$	Turn on delay time	$V_{DS}=15V, I_D=30A, R_G=4.7\Omega, V_{GS}=10V$ (note 4,5)		20		ns
$t_r$	Rising time			58		
$t_{d(off)}$	Turn off delay time			158		
$t_f$	Fall time			77		
$Q_g$	Total gate charge	$V_{DS}=24V, V_{GS}=10V, I_D=30A, I_G=5\text{mA}$ (note 4,5)		143		nC
$Q_{gs}$	Gate-source charge			17		
$Q_{gd}$	Gate-drain charge			43		
$R_g$	Gate resistance	$V_{DS}=0V$ , Scan F mode		4.2		$\Omega$

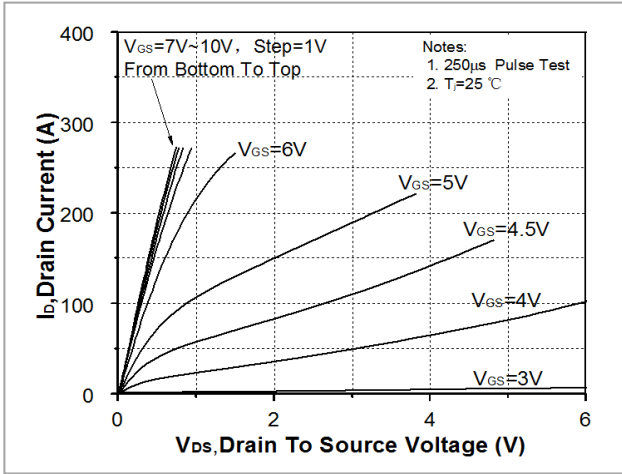
**Source to drain diode ratings characteristics**

Symbol	Parameter	Test conditions	Min.	Typ.	Max.	Unit
$I_S$	Continuous source current	Integral reverse p-n Junction diode in the MOSFET			150	A
$I_{SM}$	Pulsed source current				600	A
$V_{SD}$	Diode forward voltage drop.	$I_S=45A, V_{GS}=0V$			1.4	V
$t_{rr}$	Reverse recovery time	$I_S=30A, V_{GS}=0V,$		26		ns
$Q_{rr}$	Reverse recovery charge	$di_F/dt=100A/\mu s$		10		nC

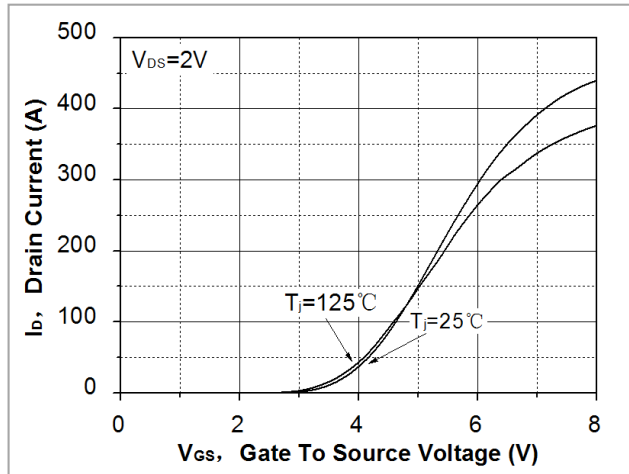
※. Notes

1. Repeattive rating : pulse width limited by junction temperature.
2.  $L = 0.5\text{mH}, I_{AS} = 48A, V_{DD} = 30V, R_G = 25\Omega$ , Starting  $T_J = 25^{\circ}\text{C}$
3.  $I_{SD} \leq 30A, di/dt = 100A/\mu s, V_{DD} \leq BV_{DSS}$ , Starting  $T_J = 25^{\circ}\text{C}$
4. Pulse Test : Pulse Width  $\leq 300\mu s$ , duty cycle  $\leq 2\%$ .
5. Essentially independent of operating temperature.

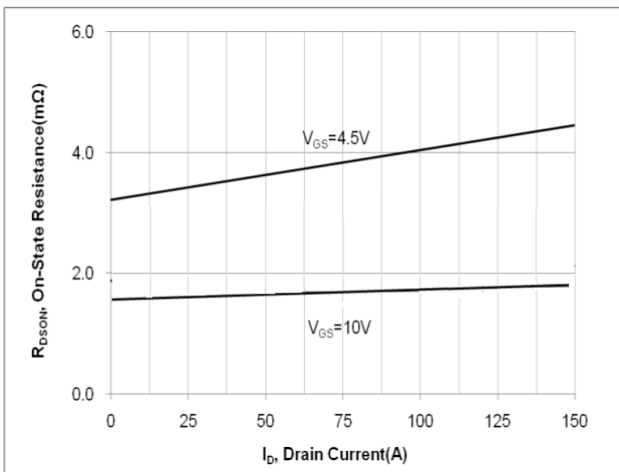
**Fig. 1. On-state characteristics**



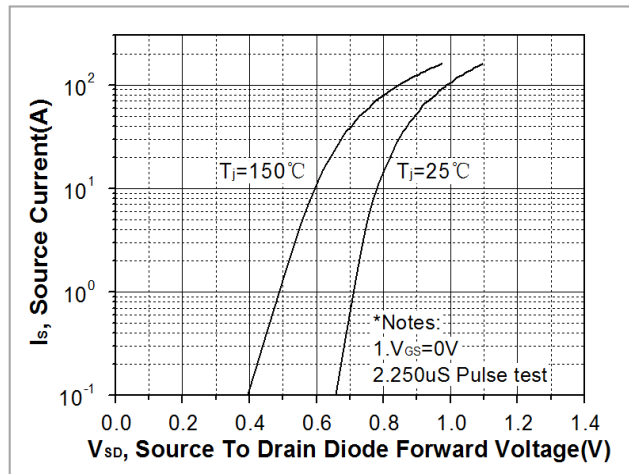
**Fig. 2. Transfer Characteristics**



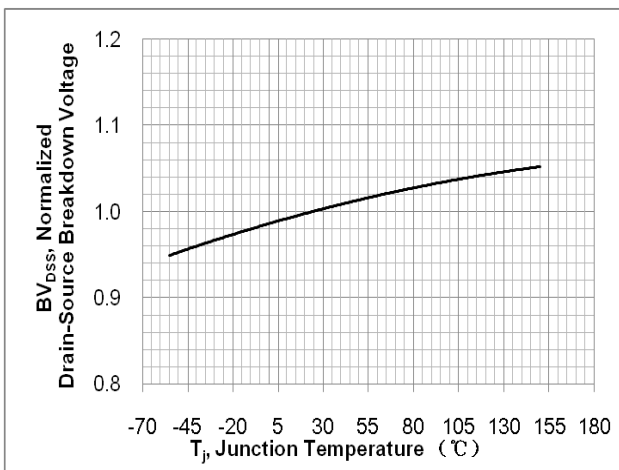
**Fig. 3. On-resistance variation vs. drain current and gate voltage**



**Fig. 4. On-state current vs. diode forward voltage**



**Fig 5. Breakdown voltage variation vs. junction temperature**



**Fig. 6. On-resistance variation vs. junction temperature**

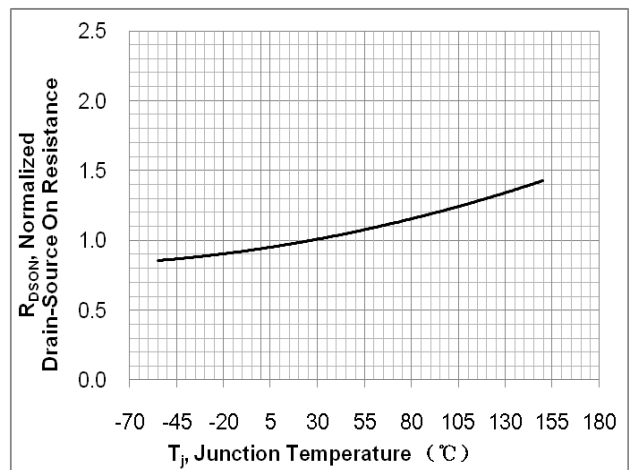




Fig. 7. Gate charge characteristics

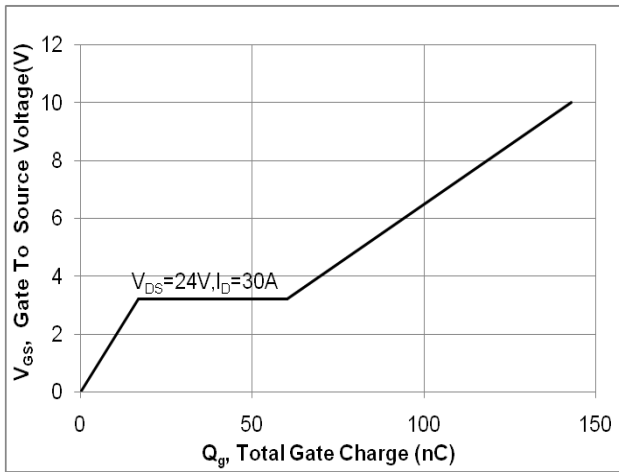


Fig. 8. Capacitance Characteristics

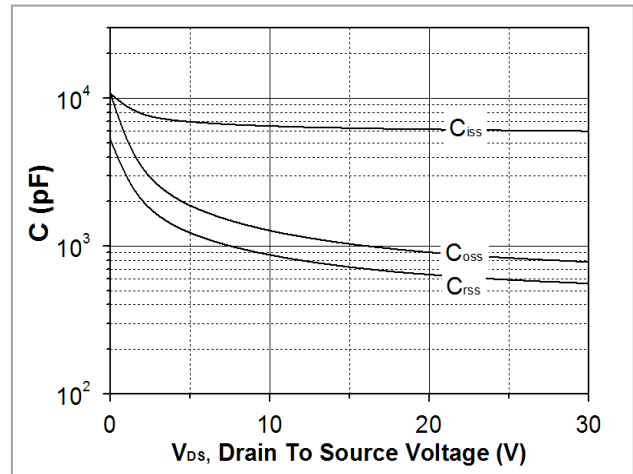


Fig. 9. Maximum safe operating area

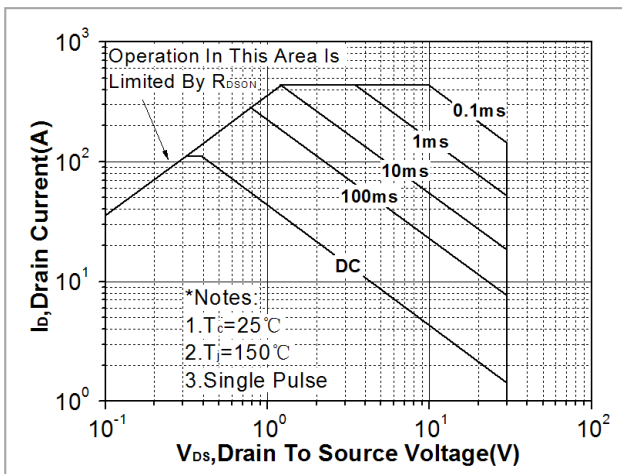


Fig. 10. Maximum drain current vs. case temperature

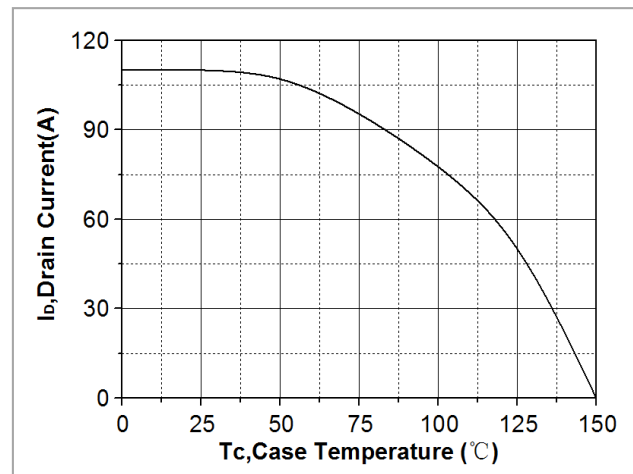


Fig. 11. Transient thermal response curve

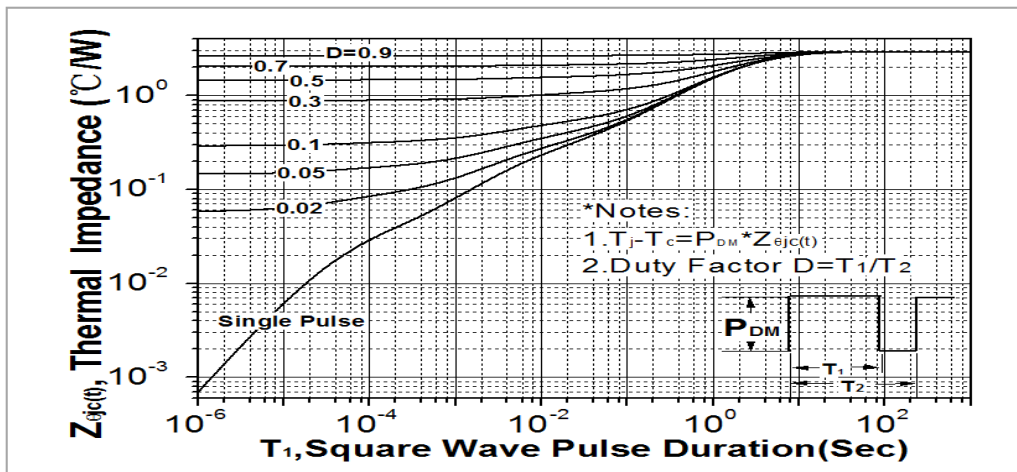


Fig. 12. Gate charge test circuit & waveform

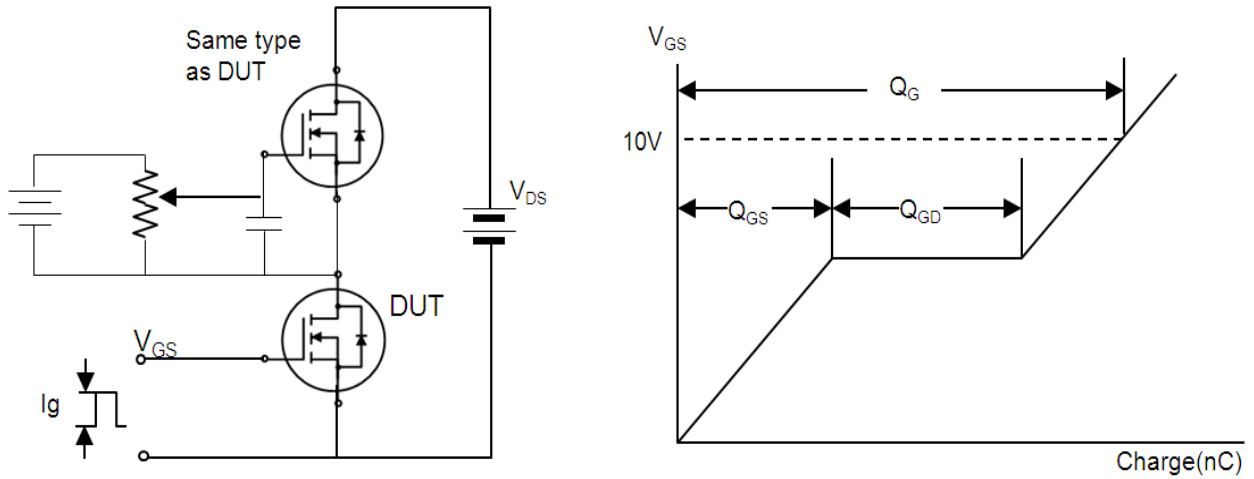


Fig. 13. Switching time test circuit & waveform

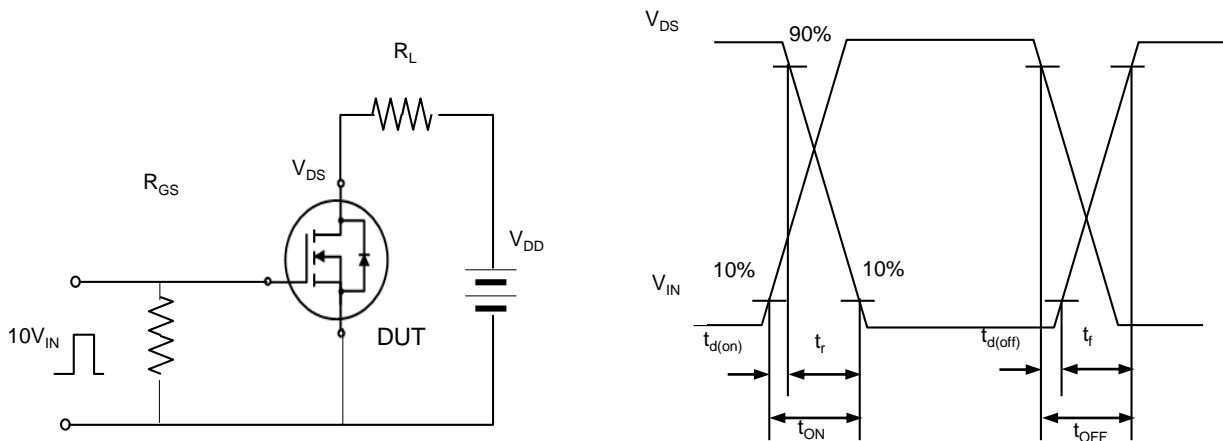
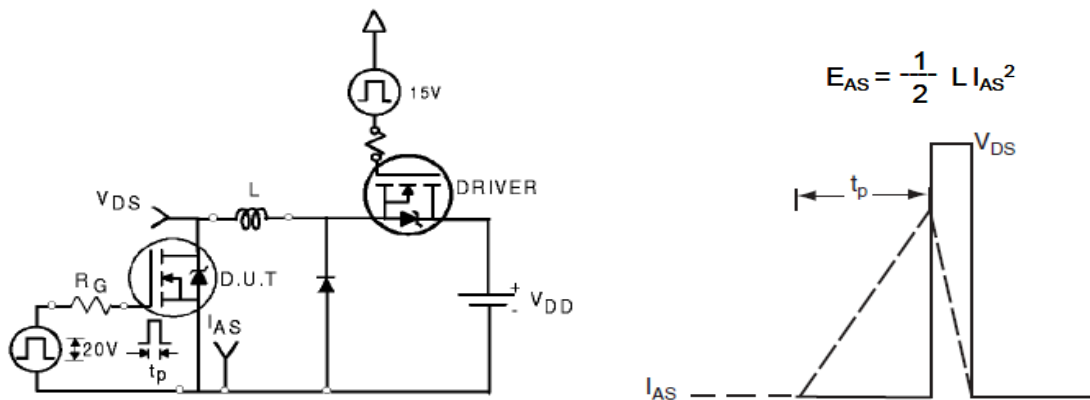
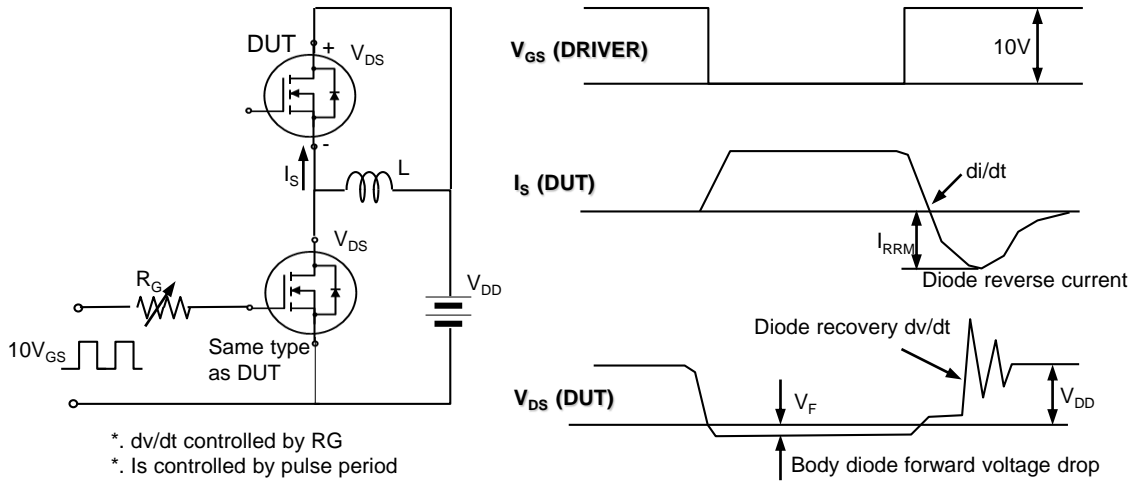


Fig. 14. Unclamped Inductive switching test circuit & waveform

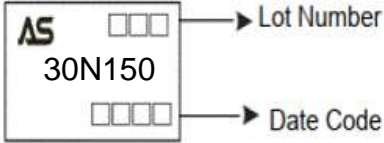


**Fig. 15. Peak diode recovery dv/dt test circuit & waveform**



### Ordering and Marking Information

Ordering Device No.	Marking	Package	Packing	Quantity
ASDM30N150Q-R	30N150	DFN5*6-8	Tape&Reel	4000/Reel

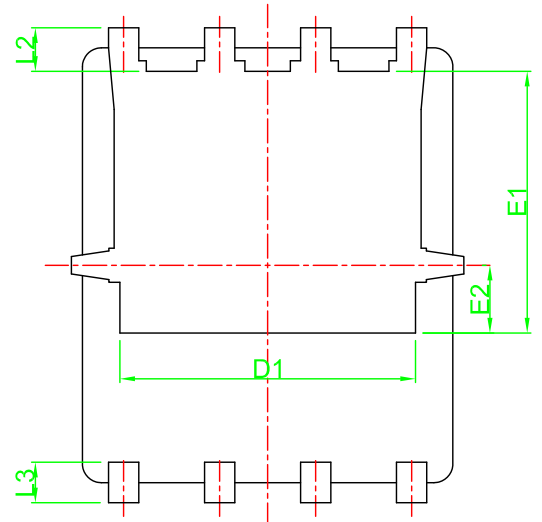
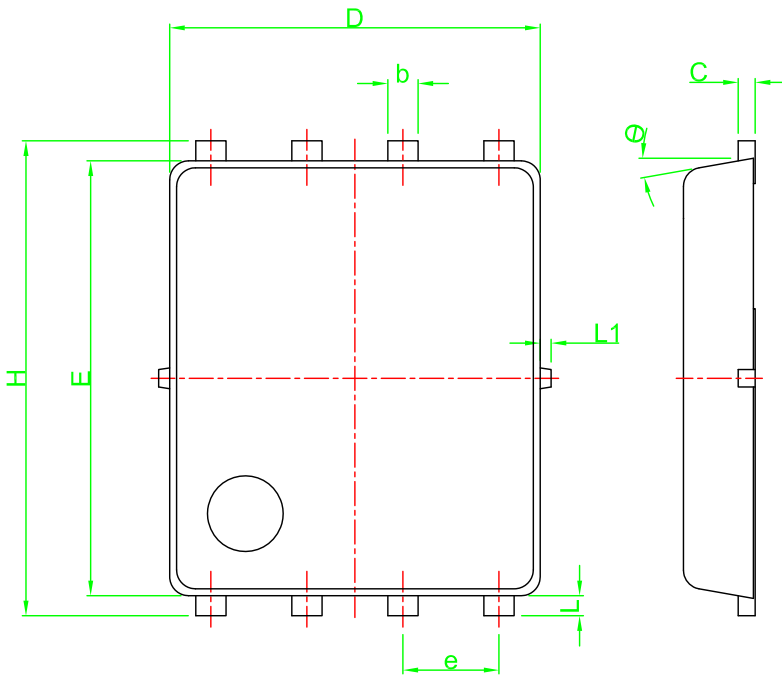
PACKAGE	MARKING
DFN5*6-8	 <p>AS    □□    → Lot Number  30N150  □□□□    → Date Code</p>



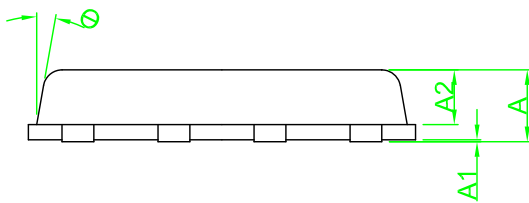
ASCENDSEMI

# ASDM30N150Q

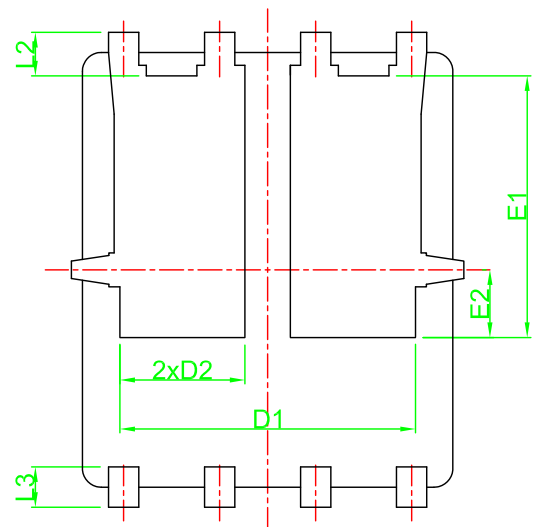
30V N-Channel MOSFET



TYPE I



DFN5\*6-8



TYPE II

Symbol	Dimensions in Millimeters		Dimensions in Inches	
	Min	Max	Min	Max
A	0.85	1.00	0.033	0.039
A1	0.01	0.05	0.000	0.002
A2	0.69	0.75	0.027	0.030
b	0.40	0.45	0.016	0.018
C	0.20	0.30	0.008	0.012
D	4.80	4.95	0.189	0.195
D1	3.91	4.06	0.154	0.160
D2	1.60	1.80	0.063	0.071
e	1.27 TYP		0.05 TYP	
E	5.65	5.80	0.222	0.228
E1	3.46	3.50	0.136	0.138
E2	0.80	0.95	0.031	0.037
L	0.15	0.3	0.006	0.012
L1	0.08	0.15	0.003	0.006
L2	0.58	0.73	0.023	0.029
L3	0.45	0.60	0.018	0.024
H	6.15	6.28	0.242	0.247
θ	8°	12°	8°	12°



**IMPORTANT NOTICE**

Xi'an Ascend Semiconductor incorporated MAKES NO WARRANTY OF ANY KIND, EXPRESS OR IMPLIED, WITH REGARDS TO THIS DOCUMENT, INCLUDING, BUT NOT LIMITED TO, THE IMPLIED WARRANTIES OF MERCHANTABILITY AND FITNESS FOR A PARTICULAR PURPOSE (AND THEIR EQUIVALENTS UNDER THE LAWS OF ANY JURISDICTION).

Xi'an Ascend Semiconductor Incorporated and its subsidiaries reserve the right to make modifications, enhancements, improvements, corrections or other changes without further notice to this document and any product described herein. Xi'an Ascend Semiconductor Incorporated does not assume any liability arising out of the application or use of this document or any product described herein; neither does Xi'an Ascend Semiconductor Incorporated convey any license under its patent or trademark rights, nor the rights of others. Any Customer or user of this document or products described herein in such applications shall assume .

all risks of such use and will agree to hold Ascendsemi Incorporated and all the companies whose products are represented on Xi'an Ascend Semiconductor Incorporated website, harmless against all damages.

Xi'an Ascend Semiconductor Incorporated does not warrant or accept any liability whatsoever in respect of any products purchased through unauthorized sales channel. Should Customers purchase or use Xi'an Ascend Semiconductor Incorporated products for any unintended or unauthorized application, Customers shall indemnify and hold Xi'an Ascend Semiconductor Incorporated and its representatives harmless against all claims, damages, expenses, and attorney fees arising out of, directly or indirectly, any claim of personal injury or death associated with such unintended or unauthorized application.

**[www.ascendsemi.com](http://www.ascendsemi.com)**

## X-ON Electronics

Largest Supplier of Electrical and Electronic Components

*Click to view similar products for [MOSFET](#) category:*

*Click to view products by [Ascend](#) manufacturer:*

Other Similar products are found below :

[614233C](#) [648584F](#) [IRFD120](#) [IRFF430](#) [JANTX2N5237](#) [2N7000](#) [FCA20N60\\_F109](#) [FDZ595PZ](#) [AOD464](#) [2SK2267\(Q\)](#) [2SK2545\(Q,T\)](#)  
[405094E](#) [423220D](#) [MIC4420CM-TR](#) [VN1206L](#) [614234A](#) [715780A](#) [SSM6J414TU,LF\(T](#) [751625C](#) [PSMN4R2-30MLD](#)  
[TK31J60W5,S1VQ\(O](#) [2SK2614\(TE16L1,Q\)](#) [DMN1017UCP3-7](#) [EFC2J004NUZTDG](#) [FCAB21350L1](#) [P85W28HP2F-7071](#) [DMN1053UCP4-7](#)  
[NTE2384](#) [NTE2969](#) [NTE6400A](#) [DMN2080UCB4-7](#) [DMN61D9UWQ-13](#) [US6M2GTR](#) [DMN31D5UDJ-7](#) [SSM6P54TU,LF](#) [DMP22D4UFO-](#)  
[7B](#) [IPS60R3K4CEAKMA1](#) [DMN1006UCA6-7](#) [DMN16M9UCA6-7](#) [STF5N65M6](#) [STU5N65M6](#) [C3M0021120D](#) [DMN13M9UCA6-7](#)  
[BSS340NWH6327XTSA1](#) [MCM3400A-TP](#) [DMTH10H4M6SPS-13](#) [IRF40SC240ARMA1](#) [IPS60R1K0PFD7SAKMA1](#)  
[IPS60R360PFD7SAKMA1](#) [IPS60R600PFD7SAKMA1](#)