



Features

- Programmable Precise Output Voltage from 2.5V to 36V
- High Stability under Capacitive Load
- Low Temperature Deviation: 5mV Typical
- Sink Current Capacity from 150uA to 100mA
- Low Output Noise
- Wide Operating Range of -25°C to +125°C

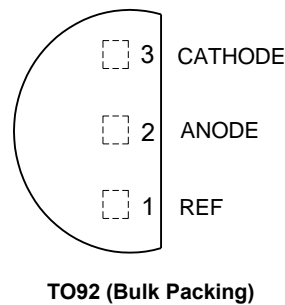
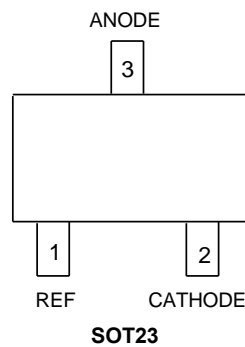
Applications

- Charger
- Voltage Adapter
- Switching Power Supply
- Graphic Card
- Precision Voltage Reference

Description

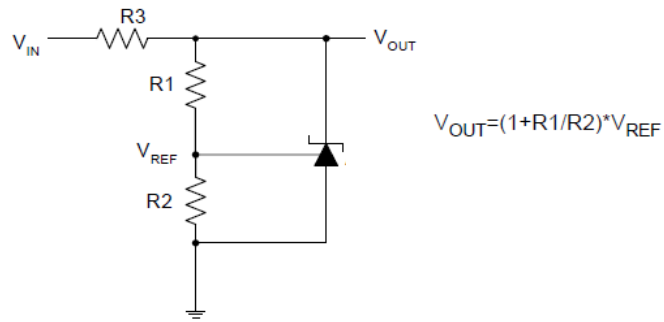
• The ASPL431A is a three-terminal adjustable shunt regulator with guaranteed thermal stability over a full operation range. It features sharp turn-on characteristics, low temperature coefficient and low output impedance, which make it ideal substitute for Zener diode in applications such as switching power supply, charger and other adjustable regulators.

• The output voltage of ASPL431A can be set to any value between VREF (2.5V) and the corresponding maximum cathode voltage (36V). The ASPL431A precision reference is offered in two voltage tolerance: 0.4% and 0.8%. This IC is available in 3 packages: TO92 (Bulk or Ammo Packing), SOT23 .

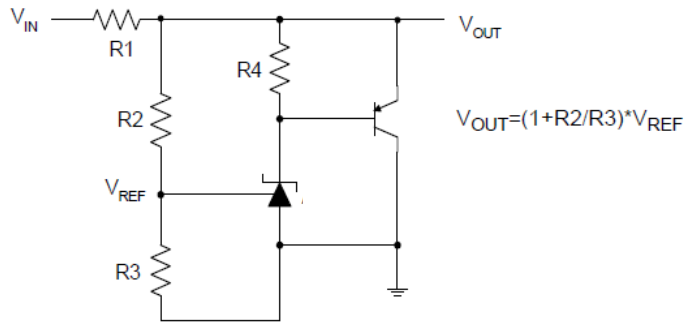




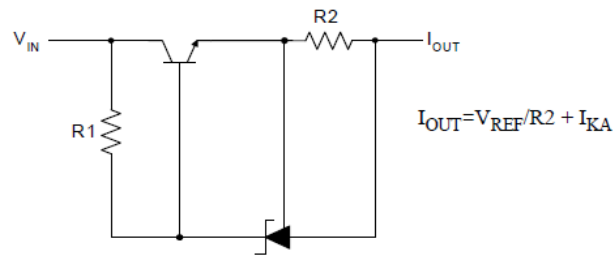
Typical Applications Circuit



Shunt Regulator



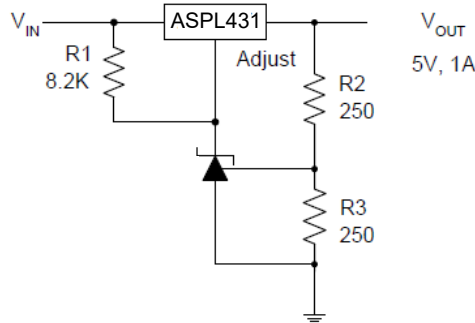
High Current Shunt Regulator



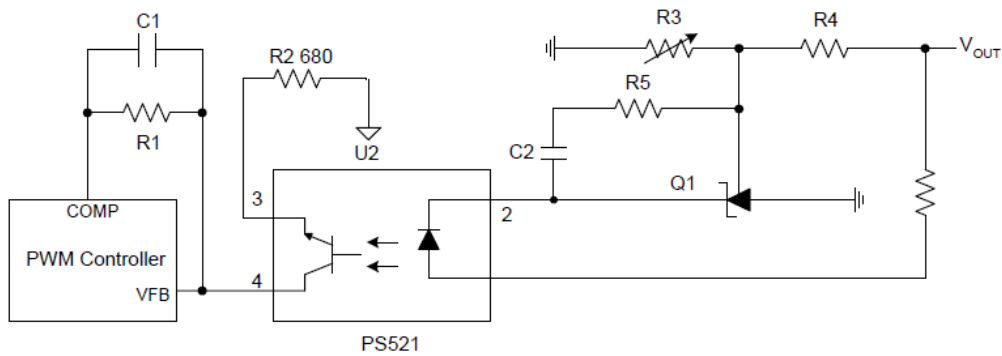
Current Source or Current Limit



Typical Applications Circuit (Cont.)

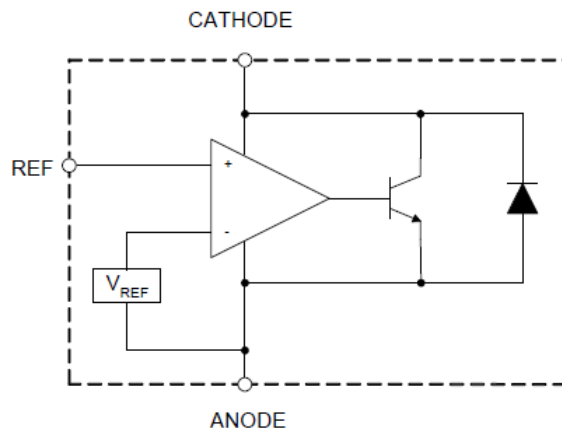


Precision 5V 1A Regulator



PWM Converter with Reference

Functional Block Diagram





Absolute Maximum Ratings (Note 4)

Symbol	Parameter		Rating	Unit
V_{KA}	Cathode Voltage		40	V
I_{KA}	Cathode Current Range (Continuous)		-100 to 150	mA
I_{REF}	Reference Input Current Range		10	mA
P_D	Power Dissipation		Z, R Package: 770	mW
			N Package: 370	
θ_{JA}	Thermal Resistance (Junction to Ambient)	SOT23	380	°C/W
		TO92	165	
T_J	Junction Temperature		+150	°C
T_{STG}	Storage Temperature Range		-65 to +150	°C
ESD	ESD (Human Body Model)		3500	V

Note 4: Stresses greater than those listed under "Absolute Maximum Ratings" may cause permanent damage to the device. These are stress ratings only, and functional operation of the device at these or any other conditions beyond those indicated under "Recommended Operating Conditions" is not implied. Exposure to "Absolute Maximum Ratings" for extended periods may affect device reliability.

Recommended Operating Conditions

Symbol	Parameter	Min	Max	Unit
V_{KA}	Cathode Voltage	V_{REF}	36	V
I_{KA}	Cathode Current	0.2	100	mA
T_A	Operating Ambient Temperature Range	-25	+125	°C

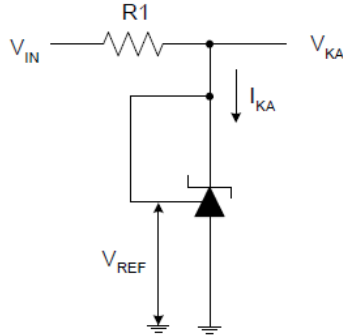


Electrical Characteristics (@T_A = +25°C, unless otherwise specified.)

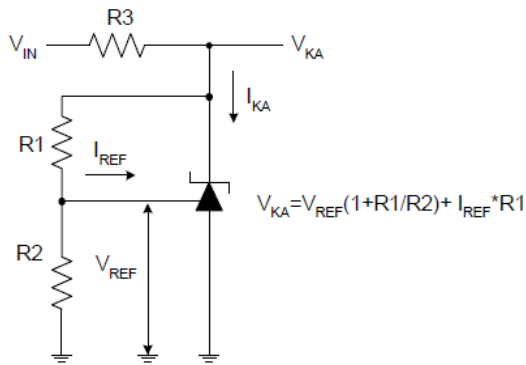
Symbol	Test Circuit	Parameter		Conditions	Min	Typ	Max	Unit	
V _{REF}	4	Reference Voltage	0.8%	V _{KA} = V _{REF} , I _{KA} = 10mA	2.480	2.500	2.520	V	
ΔV _{REF}	4	Deviation of Reference Voltage Over Full Temperature Range		V _{KA} = V _{REF} I _{KA} = 10mA	-20 to +110°C	—	-5	-20	mV
$\frac{\Delta V_{REF}}{\Delta V_{KA}}$	5	Ratio of Change in Reference Voltage to the Change in Cathode Voltage		I _{KA} = 10mA	ΔV _{KA} = 10V to V _{REF}	—	-1.87		mV/V
					ΔV _{KA} = 36V to 10V	—	-1.38		
I _{REF}	5	Reference Current		I _{KA} = 10mA, R1 = 10kΩ, R2 = ∞	—	0.3	0.6	μA	
ΔI _{REF}	5	Deviation of Reference Current Over Full Temperature Range		I _{KA} = 10mA, R1 = 10kΩ R2 = ∞, T _A = -40 to +125°C	—	0.2	0.3	μA	
I _{KA} (Min)	4	Minimum Cathode Current for Regulation		V _{KA} = V _{REF}	—	0.15	0.4	mA	
I _{KA} (Off)	6	Off-state Cathode Current		V _{KA} = 36V, V _{REF} = 0	—	0.01	1.0	μA	
Z _{KA}	4	Dynamic Impedance		V _{KA} = V _{REF} , I _{KA} = 1 to 100mA, f ≤ 1.0kHz	—	0.10	0.5	Ω	
θ _{JC}	—	Thermal Resistance		SOT23	—	113	—	°C/W	
	—			TO92	—	68	—		
	—								



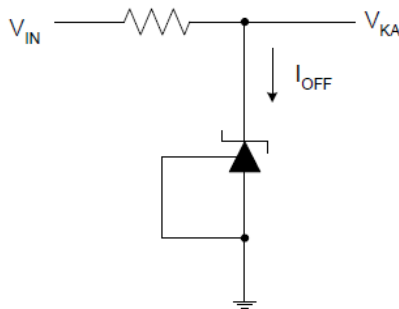
Electrical Characteristics (Cont.)



Test Circuit 4 for $V_{KA} = V_{REF}$



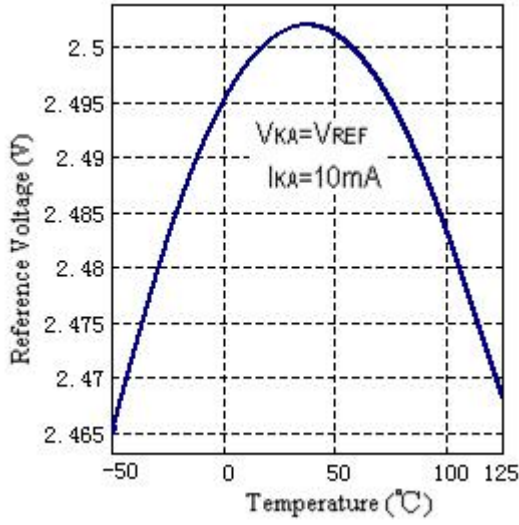
Test Circuit 5 for $V_{KA} > V_{REF}$



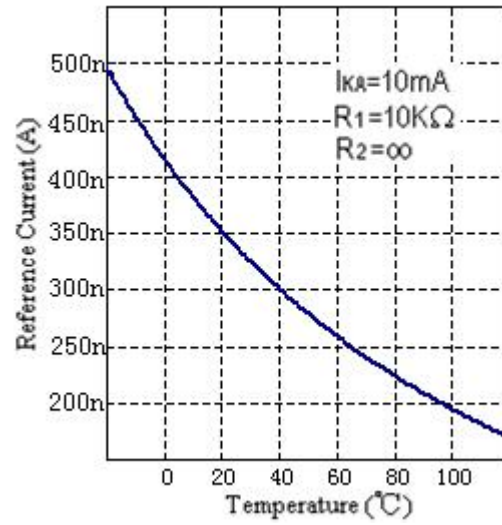
Test Circuit 6 for I_{OFF}



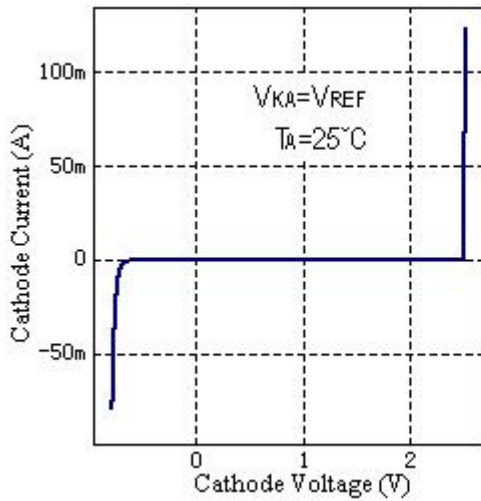
Performance Characteristics



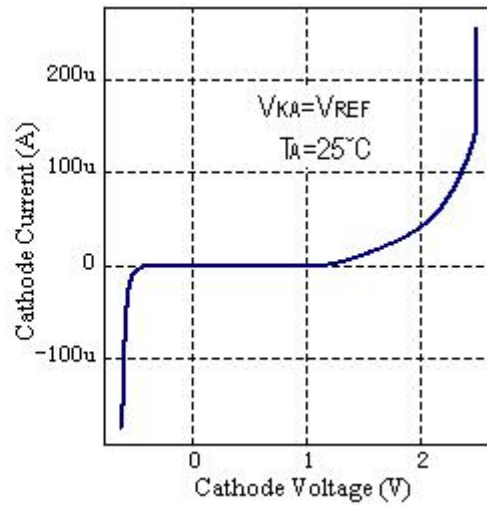
Reference Voltage vs. Ambient Temperature



Reference Current vs. Ambient Temperature



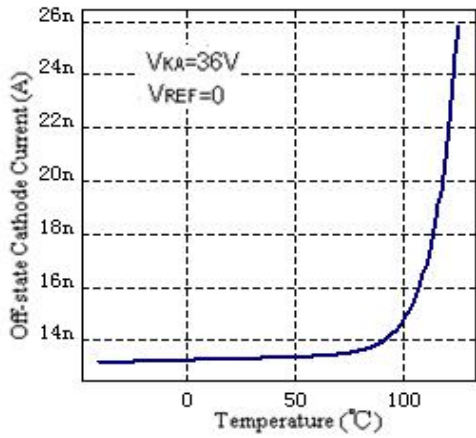
Cathode Current vs. Cathode Voltage



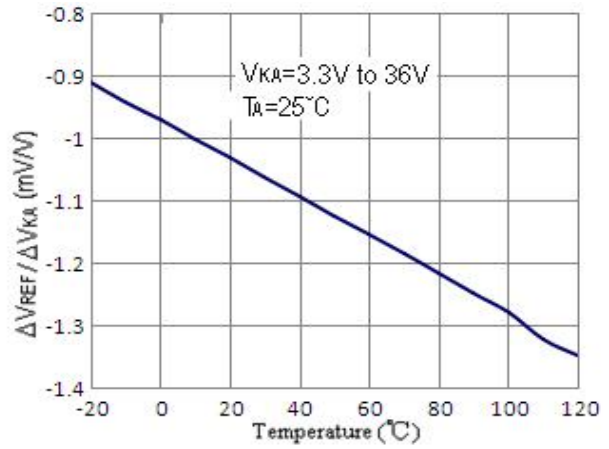
Cathode Current vs. Cathode Voltage



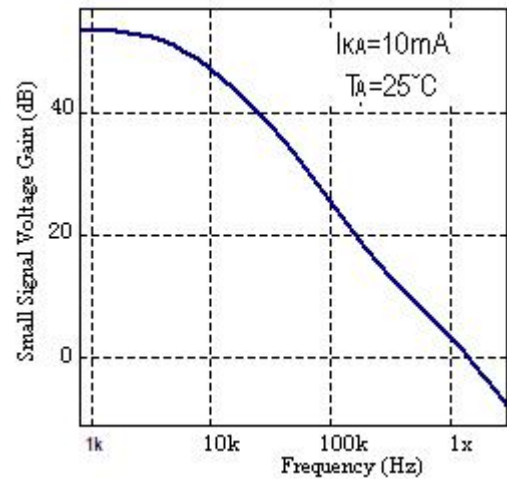
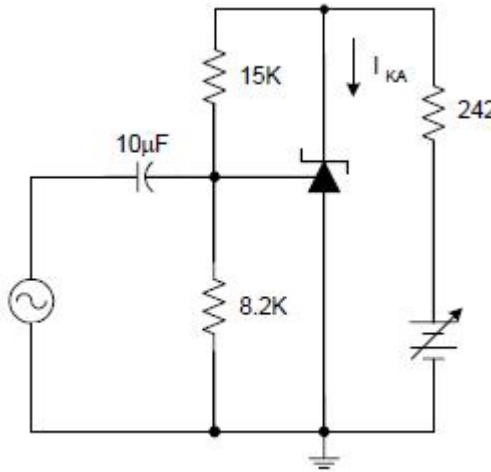
Performance Characteristics (Cont.)



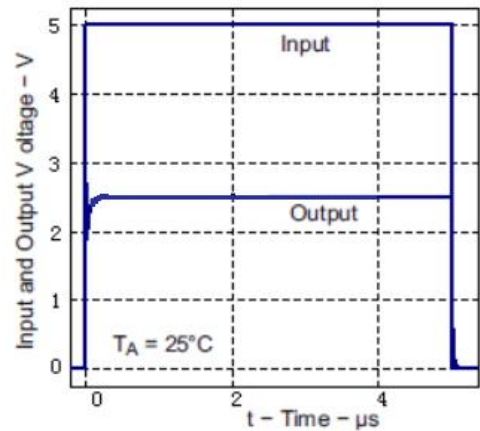
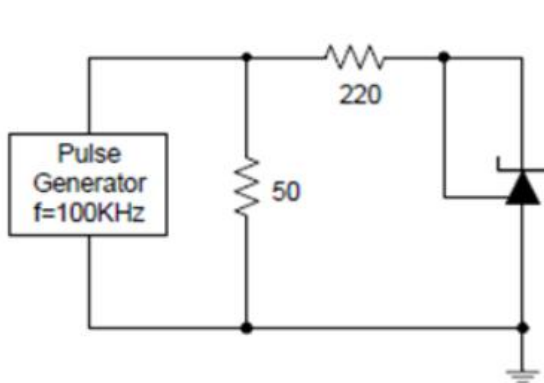
Off-state Cathode Current vs. Ambient Temperature



Ratio of Delta Reference Voltage to the Ratio of Delta Cathode Voltage

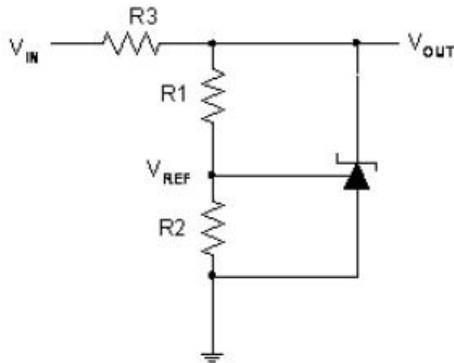


Small Signal Voltage Gain vs. Frequency

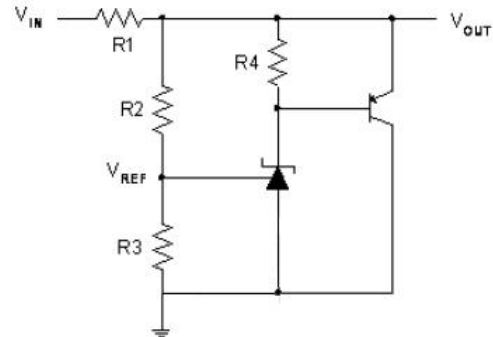


Pulse Response of Input and Output Voltage

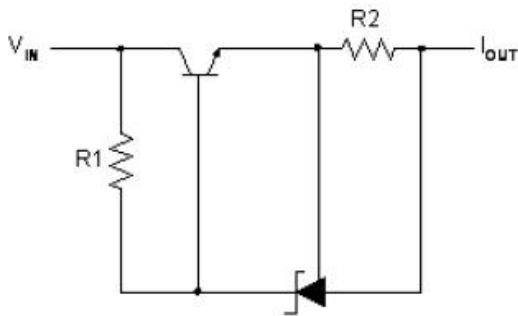
Performance Characteristics (Cont.)



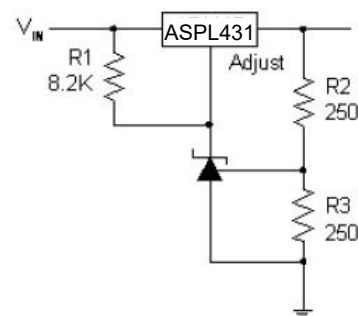
Shunt Regulator



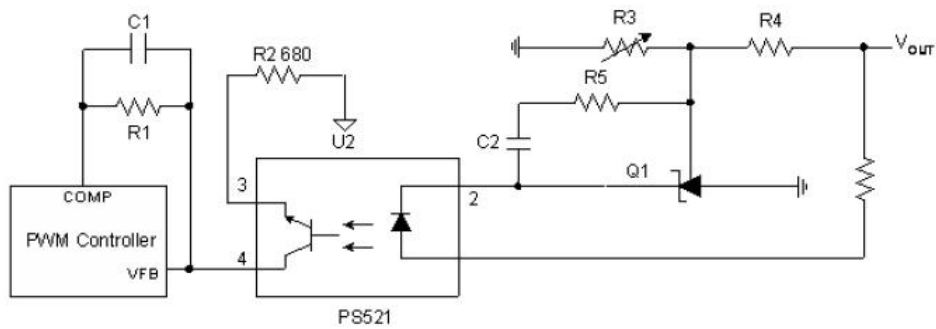
High Current Shunt Regulator



Current Source or Current Limit



Precision 5V 1A Regulator



PWM Converter with Reference

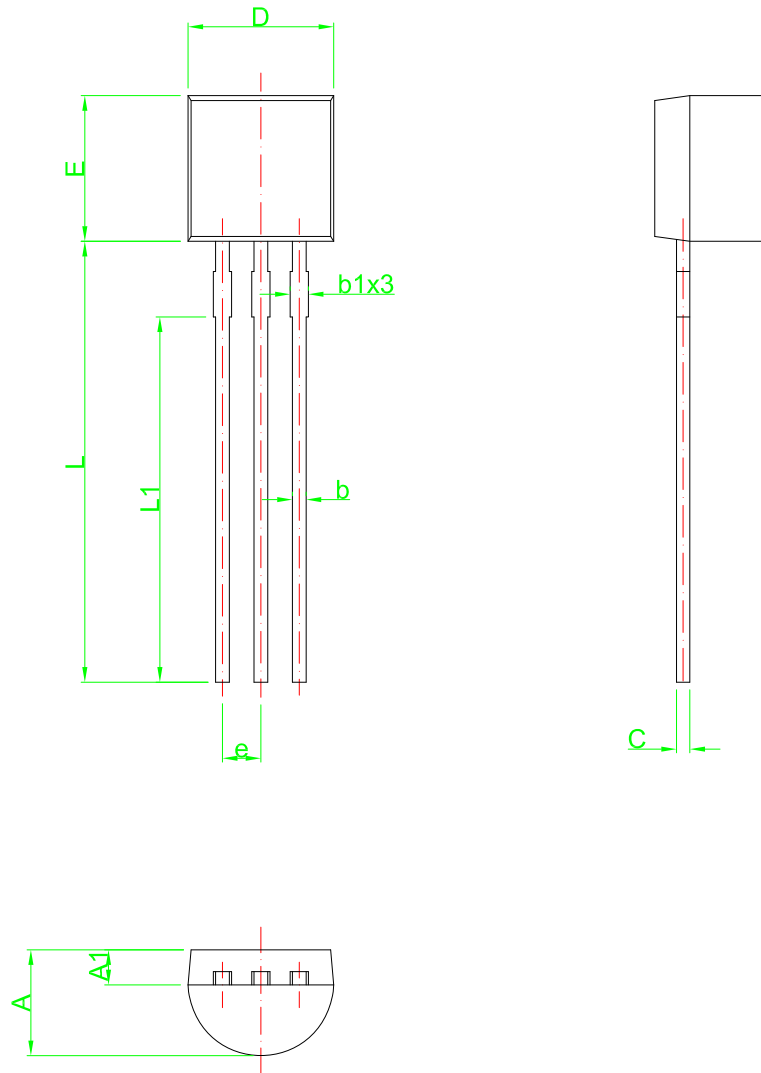


Ordering Information

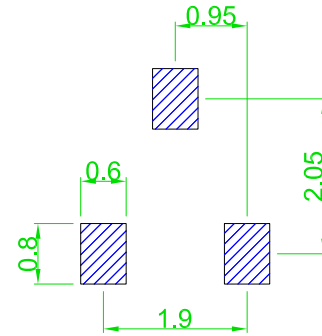
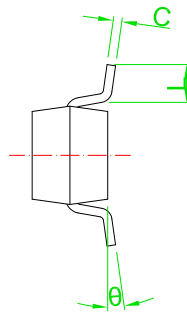
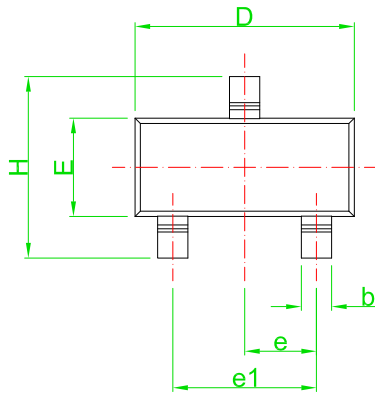
Ordering Number		Package	Packing	Quantity
Halogen Free	Lead Free			
ASPL431AG-LP-B	ASPL431A-LP-B	TO-92	Bag	2500
ASPL431AG-ZA-R		SOT23	Tape Reel	2500

PACKAGE	MARKING
SOT23	<div style="border: 1px solid black; width: 60px; height: 40px; display: inline-block; margin: 0 auto;">431A</div>
TO-92	

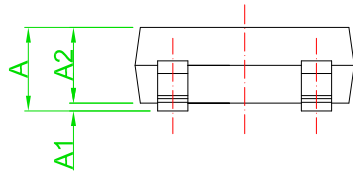
<p>ASPL431AG-ZA-R</p> <ul style="list-style-type: none"> 1 Packing Type 2 Package Type 3 Green Package 	<ul style="list-style-type: none"> 1 R:Tape Reel ,B:Bag 2 ZA:SOT23,LP:TO-92 3 blank: Lead Free <p style="text-align: center;">G:Halogen Free</p>
---	---



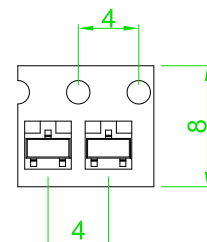
Symbol	Dimensions in Millimeters		Dimensions in Inches	
	Min	Max	Min	Max
A	3.30	3.70	0.130	0.146
A1	1.10	1.40	0.043	0.055
b	0.34	0.55	0.013	0.022
b1	0.50	0.70	0.020	0.028
C	0.34	0.54	0.013	0.021
D	4.33	4.83	0.170	0.190
E	4.33	4.83	0.170	0.190
e	1.27 TYP		0.05 TYP	
L	14.07	14.87	0.554	0.585
L1	12.47 TYP		0.491 TYP	



Recommended Land Pattern



Symbol	Dimensions in Millimeters		Dimensions in Inches	
	Min	Max	Min	Max
A	0.90	1.15	0.035	0.045
A1	0.00	0.10	0.000	0.004
A2	0.90	1.05	0.035	0.041
b	0.30	0.55	0.012	0.022
C	0.08	0.15	0.003	0.006
D	2.80	3.00	0.110	0.118
E	1.20	1.40	0.047	0.055
e	0.95 TYP		0.037 TYP	
e1	1.80	2.00	0.071	0.079
H	2.25	2.55	0.089	0.100
L	0.30	0.50	0.012	0.020
theta	0°	8°	0°	8°



**IMPORTANT NOTICE**

Xi'an Ascend Semiconductor incorporated MAKES NO WARRANTY OF ANY KIND, EXPRESS OR IMPLIED, WITH REGARDS TO THIS DOCUMENT, INCLUDING, BUT NOT LIMITED TO, THE IMPLIED WARRANTIES OF MERCHANTABILITY AND FITNESS FOR A PARTICULAR PURPOSE (AND THEIR EQUIVALENTS UNDER THE LAWS OF ANY JURISDICTION).

Xi'an Ascend Semiconductor Incorporated and its subsidiaries reserve the right to make modifications, enhancements, improvements, corrections or other changes without further notice to this document and any product described herein. Xi'an Ascend Semiconductor Incorporated does not assume any liability arising out of the application or use of this document or any product described herein; neither does Xi'an Ascend Semiconductor Incorporated convey any license under its patent or trademark rights, nor the rights of others. Any Customer or user of this document or products described herein in such applications shall assume

all risks of such use and will agree to hold Ascendsemi Incorporated and all the companies whose products are represented on Xi'an Ascend Semiconductor Incorporated website, harmless against all damages.

Xi'an Ascend Semiconductor Incorporated does not warrant or accept any liability whatsoever in respect of any products purchased through unauthorized sales channel. Should Customers purchase or use Xi'an Ascend Semiconductor Incorporated products for any unintended or unauthorized application, Customers shall indemnify and hold Xi'an Ascend Semiconductor Incorporated and its representatives harmless against all claims, damages, expenses, and attorney fees arising out of, directly or indirectly, any claim of personal injury or death associated with such unintended or unauthorized application.

www.ascendsemi.com

X-ON Electronics

Largest Supplier of Electrical and Electronic Components

Click to view similar products for [Voltage References](#) category:

Click to view products by [Ascend](#) manufacturer:

Other Similar products are found below :

[622664A](#) [636116E](#) [748389C](#) [AS431ARTR-E1](#) [NCP431BCSNT1G](#) [NCP432BCSNT1G](#) [NCV431BSNT1G](#) [AP4313UKTR-G1](#)
[TL1431AIYDT](#) [AZ431BR-ATRE1](#) [622668D](#) [NCP432BVSNT1G](#) [5962-8686103XC](#) [NCV431BVDMR2G](#) [AZ432BNTR-G1](#)
[AP4306BUKTR-G1](#) [SC431BVSNT1G](#) [MAX6023EBT30+T](#) [NCV431ASNT1G](#) [LM4040CEM3-5.0/V+T](#) [LT1460KCS3-3#TRM](#)
[LT1460KCS3-3.3#TRM](#) [LT6660KCDC-10#TRMPBF](#) [LTC6652BHLS8-5#PBF](#) [LTC6652AHLS8-4.096#PBF](#) [LTC6655BHLS8-4.096#PBF](#)
[LT6660HCDC-5#TRMPBF](#) [LM336Z-2.5#PBF](#) [LT1021BMH-10](#) [SC431ILPRAG](#) [TLVH431MIL3T](#) [MAX6023EBT21+T](#) [AP432AQG-7](#)
[ADR4540CRZ](#) [LM4040B25QFTA](#) [TS3325AQPR](#) [REF102AU/2K5](#) [TL4050B25QDBZR](#) [TL4051C12QDCKR](#) [TL431ACZ](#) [KA431SLMF2TF](#)
[KA431SMF2TF](#) [KA431SMFTF](#) [LM385BXZ/NOPB](#) [LM4040QCEM3-3.0/NOPB](#) [LM4041C12ILPR](#) [LM4050AEM3X-5.0/NOPB](#)
[LM4050AIM3X-5.0/NOPB](#) [LM4120AIM5-2.5/NOP](#) [LM431SCCMFX](#)