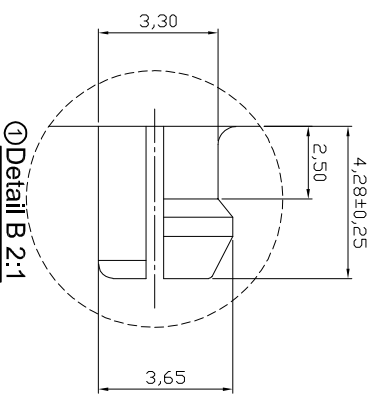
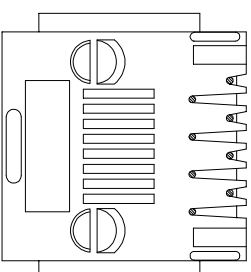
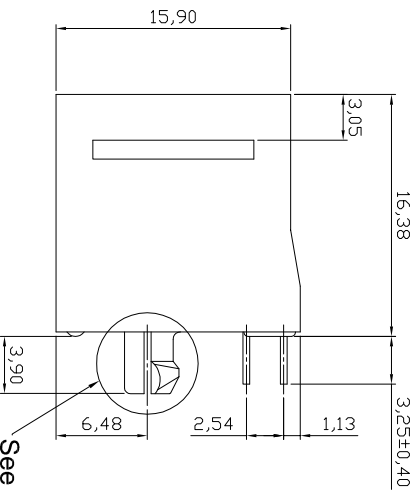
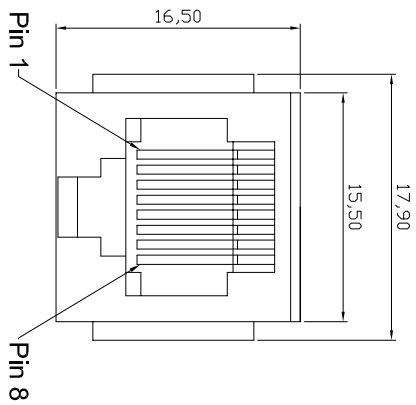


- Specification:
- Electrical Char
Insulation Resistance: 500MΩ min. 500V DC
for 1 minute
Contact Resistance: 30mΩ max.
Rating Current: 1.5A max.
Rating Voltage: 150V AC
Dielectric Voltage: 1000 Vrms at 1MA 60 sec. min.
 - Physical Char
Housing: PBT Glass filled (UL 94V-0) Color: Black
Soldering Temperature: 235°C for 5 sec.
Spring Wire: 0.45mm Dia Phosphor Bronze
6u" Gold plating over Nickel
Temperature Range: -40°C to +85°C
Durability: 750 mating cycles min.

3. Packing: Tray



RoHS compliant
Unit:mm

Scale	Free
TOLERANCE	
.XX	±0.20
.XXX	±0.13
.XXXX	±0.05
DIM	TOL
Angle	+0°30'

Id.	Modification	Date	Name
①	Correct PCB size and add detail B	17.07.2018	Amy
②	Drawn	28.10.2015	Amy

Date	Name
28.10.2015	Amy
17.07.2018	Amy

ASSMANN
components

Customer-No.
ASSMANN WSW-No. A-2014-2-4-R
Drawing-No. ASS 7043 CO
rev01

Replace SHEET

1	2	3	4	5	6	7	A
1	2	3	4	5	6	7	A
H	G	F	E	D	C	B	A

X-ON Electronics

Largest Supplier of Electrical and Electronic Components

Click to view similar products for [assmann](#) manufacturer:

Other Similar products are found below :

[AU-Y1007-R](#) [A-DF15-HOOD-WP](#) [A-USB-1](#) [AK-320200-100-S](#) [AK-340603-000-S](#) [AK500-RA-6-0.5-R](#) [AK669/2-18-BLACK-R](#) [AT-K-26-10-B/1000](#) [AU-Y1008-2-R](#) [AWG28-50/G/300](#) [AWH26G-0232](#) [AB-900](#) [AB-970](#) [AB-984](#) [A-DS 15PP](#) [AK3730X-R](#) [AK579/F-2](#) [A-MCU60010/Y](#) [A-PC2302-030028-1](#) [AT-S-26-8/8/W-7/R](#) [AWH-24G-E202-IDC](#) [DK-2631-05](#) [DN-91624U](#) [DN-91548U](#) [DK-1511-015/WH](#) [A-MCU60030/R](#) [AWH50G-0202-T-R](#) [AK500/16-OE-7-0.5](#) [AK500/14-OE-5-2](#) [DK-1611-020/B](#) [DK-1511-100/G](#) [AK-320400-002-S](#) [AT-K-26-6-B/500](#) [AK-400102-008-R](#) [AT-K-26-6-W/100](#) [AWP 10-7540-T](#) [AK-330118-100-S](#) [AK-330118-300-S](#) [AK-340102-010-W](#) [AK500/U-1-R](#) [AK-SATA-030DL-R](#) [AWG28-16/G/300](#) [AWG28-9/F/300](#) [ADIP16-G-LC-R](#) [AK-310203-018-E](#) [AK-330105-300-S](#) [AK-340406-001-W](#) [A-MCSSP60020/B-R](#) [A-MO-8/8-F50-R](#) [AWG28-9/G/300](#)