

1

2

3

4

5

6

7

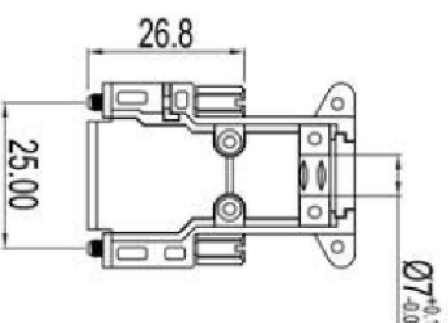
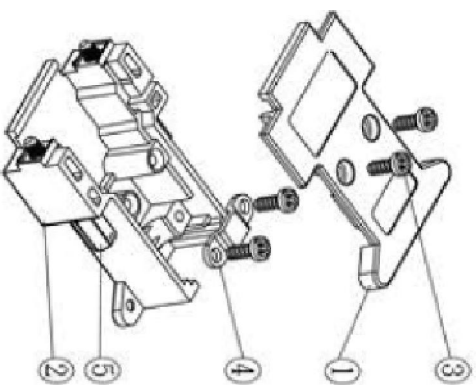
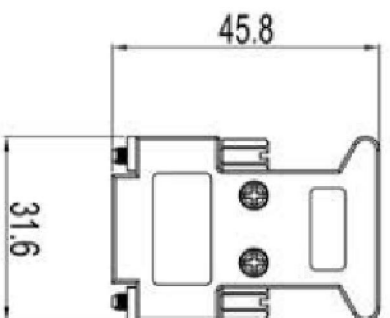
A
AGAL 09/GP-N
AGAL 09/GP/ME

TECHNICAL SPECIFICATION:

Material: UL94V-0 ABS
Operating Temperature: -55°C to +110°C
Thumbscrews: Short, UNC 4-40

Features:
Available in sizes 9-15-25-37-50

Version:
-N = Black
/ME = Metalized



Item	QTY	Part description
1	1	CA09-Upper cover -N = Black /ME = Metalized
2	1	CA09-Lower cover -N = Black /ME = Metalized
3	4	TEL004 Screw
4	1	CA09CC-9Way Clamps
5	2	TAS (4,40) Short Jackscrews

RoHS compliant

Scale 1:1

TOLERANCE

X.	±X
X.X	±X
X.XX	±X
X°	±X

Id.	Modification	Date	Name	Drawn	Date	Name
⑤	change of plant	25.05.2017	S.Bölling			
④	add dimension (hole diameter)	05.05.2014	A. Plate	Approved	24.09.2009	Hellwig
③	Modifly drawing	24.09.2009	Dean			
②	Update	02.07.2009	Dean			
①	Zeichnungs Angleichung	17.04.2007	N.Schulz			

ASSMANN
WSW/ components

Customer-No.

ASSMANN WSW-No.

AGAL XX/GP-N
AGAL XX/GP/ME

Drawing-No.

ASS 1077 CO

rev05

Replace

Sheet
1/5

1

2

3

4

5

6

7

H

G

F

E

D

C

B

A

H

G

F

E

D

C

B

A

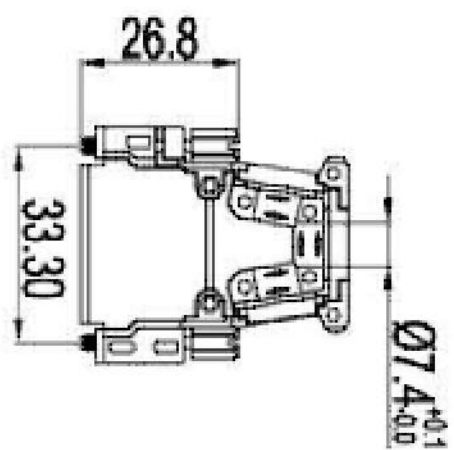
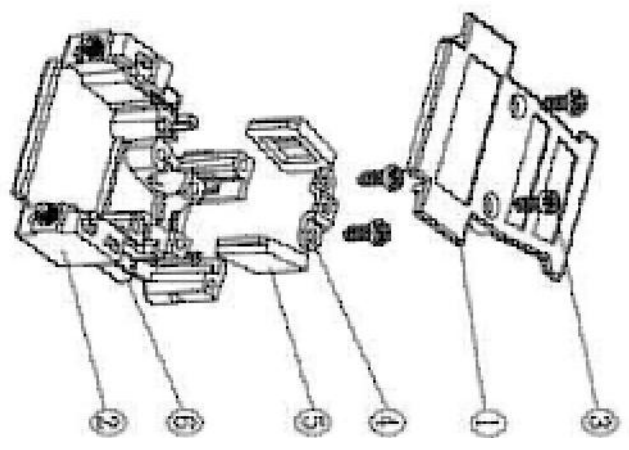
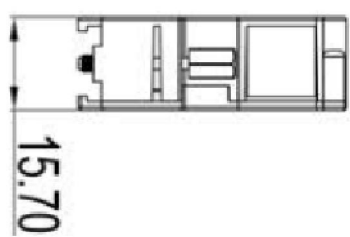
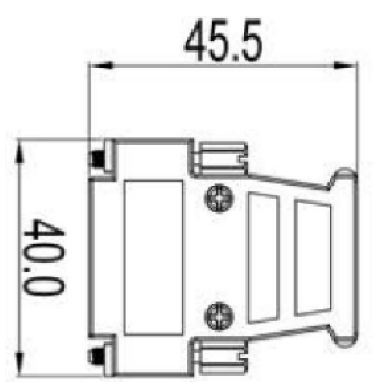
1	2	3	4	5	6	7
---	---	---	---	---	---	---

A
AGAL 15/GP-N
AGAL 15/GP/ME

TECHNICAL SPECIFICATION:

Material: UL94V-0 ABS
Operating Temperature: -55°C to +110°C
Thumbscrews: Short, UNC 4-40

Version:
-N = Black
/ME = Metalized



Item	QTY	Part description
1	1	CA15-Upper cover -N = Black /ME = Metalized
2	1	CA15-Lower cover -N = Black /ME = Metalized
3	4	TEL004 Screw
4	1	CA15CC-15 Way Clamps
5	2	TAS (4,40) Short Jackscrews

RoHS compliant

Scale	1:1	TOLERANCE	±X	±X	±X	±X	±X	
X.	±X	⑤	change of plant	25.05.2017	S.Bölling	Drawn	17.04.2007	N.Schulz
X.X	±X	④	add dimension (hole diameter)	05.05.2014	A. Plate	Approved	24.09.2009	Hellwig
X.XX	±X	③	Modifiy drawing	24.09.2009	Dean			
X°	±X	②	Update	02.07.2009	Dean			
		①	Zeichnungs Angleichung	17.04.2007	N.Schulz			
		Id.	Modification					

Customer-No.	ASSMANN WSW-No.	AGAL XX/GP-N	AGAL XX/GP/ME
Drawing-No.	ASS 1077 CO	rev05	Sheet 2/5
Replace			

1	2	3	4	5	6	7
---	---	---	---	---	---	---

1

2

3

4

5

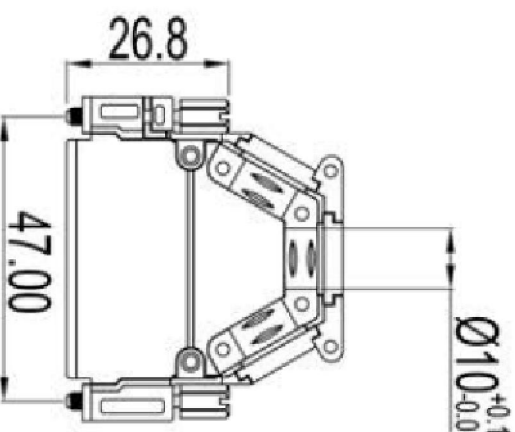
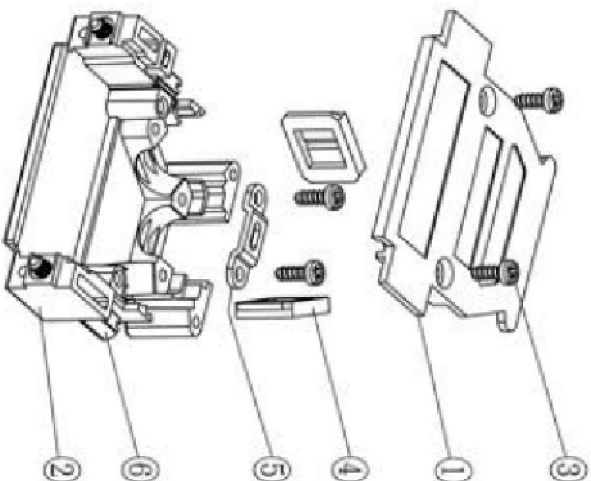
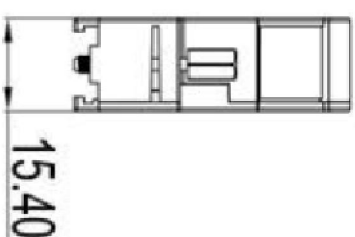
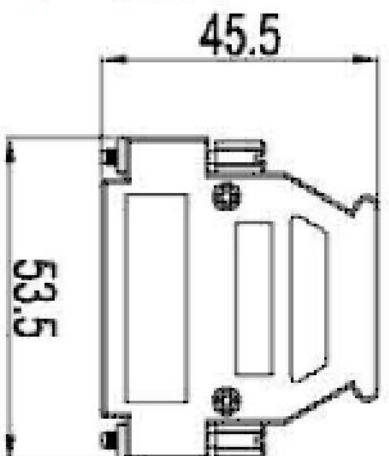
6

7

A
AGAL 25/GP-N
AGAL 25/GP/ME

TECHNICAL SPECIFICATION:
Material: UL94V-0 ABS
Operating Temperature: -55°C to +110°C
Thumbscrews: Short, UNC 4-40

Version:
-N = Black
/ME = Metalized



Item	QTY	Part description
1	1	CA25-Upper cover -N = Black /ME = Metalized
2	1	CA25-Lower cover -N = Black /ME = Metalized
3	4	TEL004 Screw
4	1	CA25CC-25 Way Clamps
5	2	TAS (4,40) Short Jackscrews

RoHS compliant

Scale 1:1

TOLERANCE

X.	±X
X.X	±X
X.XX	±X
X°	±X

⑤	change of plant	25.05.2017	S.Bölling	Drawn	17.04.2007	N.Schulz
④	add dimension (hole diameter)	05.05.2014	A. Plate	Approved	24.09.2009	Hellwig
③	Modifly drawing	24.09.2009	Dean			
②	Update	02.07.2009	Dean			
①	Zeichnungs Angleichung	17.04.2007	N.Schulz			
Id.	Modification		Name			

1

2

3

4

5

6

7

Customer-No.

ASSMANN WSW-No.

AGAL XX/GP-N
AGAL XX/GP/ME

Drawing-No.

ASS 1077 CO

rev05

Replace

Sheet 3/5

H

H

G

G

E

E

D

D

C

C

B

B

A

1

2

3

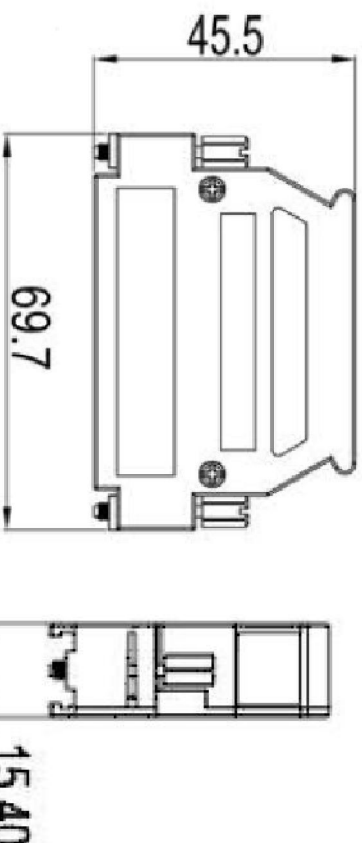
4

5

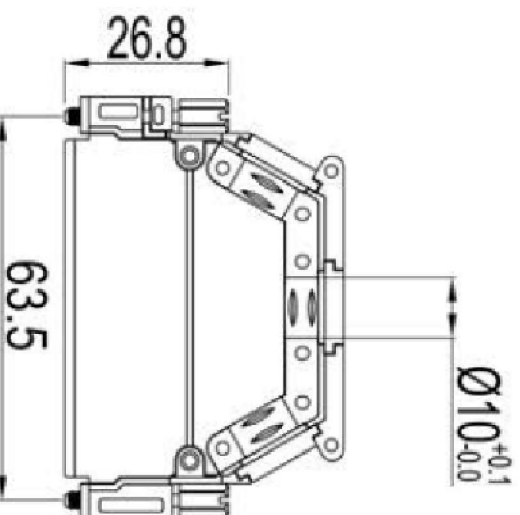
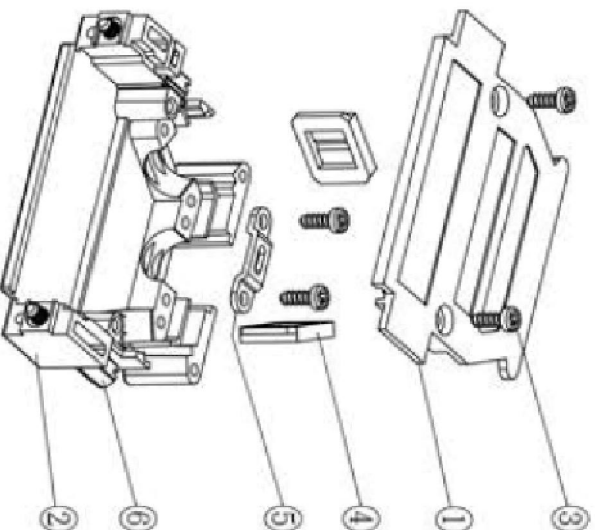
6

7

AGAL 37/GP-N
AGAL 37/GP/ME



TECHNICAL SPECIFICATION:
Material: UL94V-0 ABS
Operating Temperature: -55°C to +110°C
Thumbscrews: Short, UNC 4-40
Version:
-N = Black
/ME = Metalized



Item	QTY	Part description
1	1	CA37-Upper cover -N = Black /ME = Metalized
2	1	CA37-Lower cover -N = Black /ME = Metalized
3	4	TEL004 Screw
4	1	CA37CC-37Way Clamps
5	2	TAS (4,40) Short Jackscrews

RoHS compliant

Scale 1:1

TOLERANCE

X.	±X
X.X	±X
X.XX	±X
X°	±X

Scale	1:1								
⑤	change of plant	25.05.2017	S.Bölling	Drawn	17.04.2007	N.Schulz	Customer-No.		
④	add dimension (hole diameter)	05.05.2014	A. Plate	Approved	24.09.2009	Hellwig	ASSMANN WSW-No.	AGAL XX/GP-N	
③	Modilly drawing	24.09.2009	Dean				AGAL XX/GP/ME		
②	Update	02.07.2009	Dean				Drawing-No.	ASS 1077 CO	rev05
①	Zeichnungs Angleichung	17.04.2007	N.Schulz				Replace		Sheet 4/5
Id.	Modification		Name						

ASSMANN
WSW/ components

1

2

3

4

5

6

7

H

G

F

E

D

C

B

A

H

G

F

E

D

C

B

A

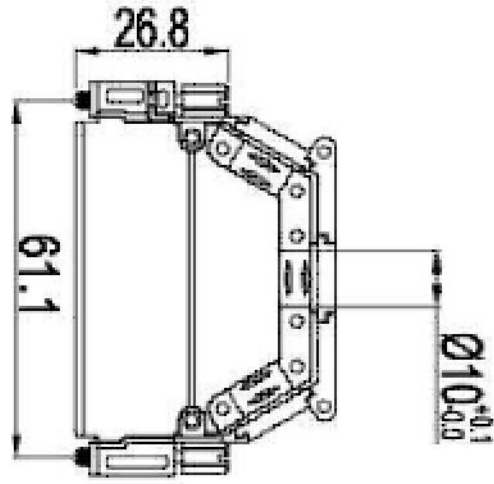
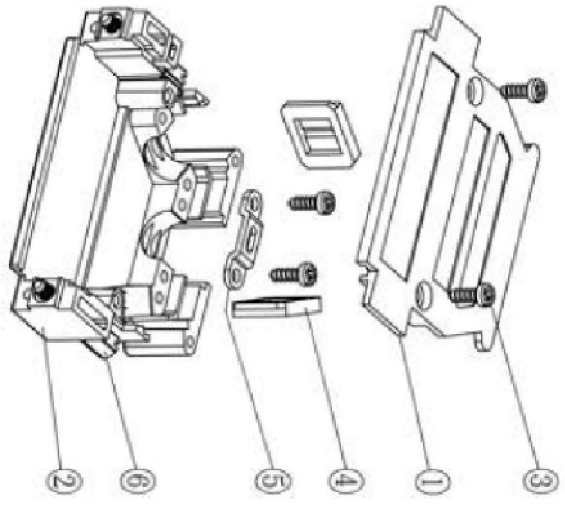
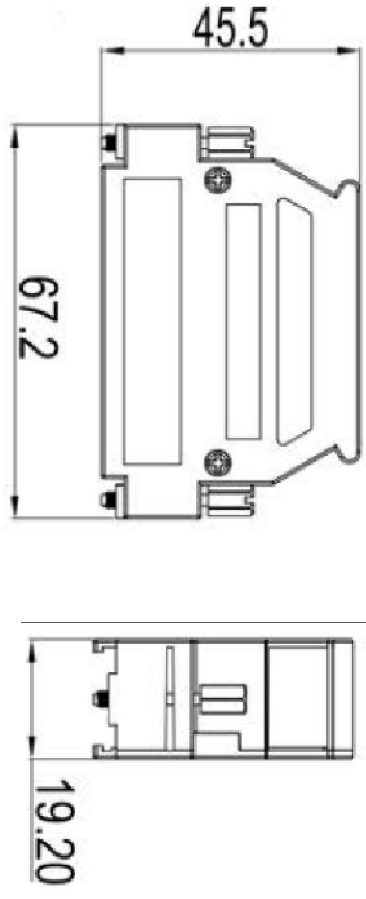
1 2 3 4 5 6 7

A
AGAL 50/GP-N
AGAL 50/GP/ME

TECHNICAL SPECIFICATION:

Material: UL94V-0 ABS
Operating Temperature: -55°C to +110°C
Thumbscrews: Short, UNC 4-40

Version:
-N = Black
/ME = Metalized



Item	QTY	Part description
1	1	CA50-Upper cover -N = Black /ME = Metalized
2	1	CA50-Lower cover -N = Black /ME = Metalized
3	4	TEL004 Screw
4	1	CA50CC-50 Way Clamps
5	2	TAS (4,40) Short Jackscrews

RoHS compliant

Scale 1:1

TOLERANCE

X.	±X
X.X	±X
X.XX	±X
X ^o	±X

Scale	1:1											
⑤	change of plant	25.05.2017	S.Bölling	Drawn	17.04.2007	N.Schulz	Customer-No.					
④	add dimension (hole diameter)	05.05.2014	A. Plate	Approved	24.09.2009	Hellwig	ASSMANN WSW-No.	AGAL XX/GP-N				
③	Modify drawing	24.09.2009	Dean				AGAL XX/GP/ME					
②	Update	02.07.2009	Dean				Drawing-No.	ASS 1077 CO	rev05			
①	Zeichnungs Angleichung	17.04.2007	N.Schulz				Replace		Sheet	5/5		
Id.	Modification		Name									



1 2 3 4 5 6 7

H

H

G

G

D

D

C

C

B

B

A

A

X-ON Electronics

Largest Supplier of Electrical and Electronic Components

Click to view similar products for [D-Sub Backshells](#) category:

Click to view products by [Assmann](#) manufacturer:

Other Similar products are found below :

[173114-0084](#) [173112-1658](#) [600X51137X](#) [600X54009X](#) [66241-12A](#) [M85049/48-1-2](#) [M85049/48-3-5F](#) [M85049/6-38N](#) [M85049/86-12N03](#)
[70.350.0636.4](#) [70.350.2435.1](#) [72.350.1035.2](#) [72.352.2435.1](#) [73.359.4035.3](#) [799-015TMH07M](#) [799-015TMH08N](#) [FKH1RE](#) [829472-1](#) [F-](#)
[PHG-1E](#) [F-PHG-3E](#) [F-PHG-4E](#) [F-PHR-4E](#) [PCS-E20W](#) [8655MHRA0901KLF](#) [8655MHRA2501KLF](#) [958-009-010R011](#) [970-015-040R011](#)
[970-025-030R121](#) [970-025-040R011](#) [971-009-030R121](#) [971-009-040R011](#) [971-015-040R011](#) [971-025-040R011](#) [GS85049/38-25M](#) [975T009-](#)
[020R121](#) [975T015-020R121](#) [1-21986-2](#) [1-21986-5](#) [DB-20962](#) [DE-C8-J9-F4-1R](#) [DE-C8-J9-F5-1R](#) [DPH-B-003](#) [1437013-9](#) [1484402-8](#)
[MS3057-10A](#) [156-3025-EX](#) [MS3417-16C](#) [16-500800](#) [165X02659X](#) [165X03329A](#)