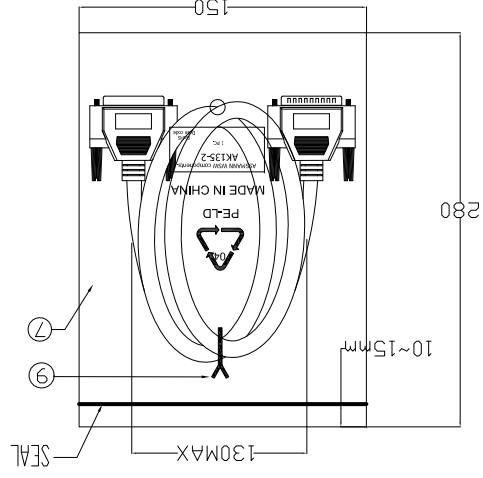


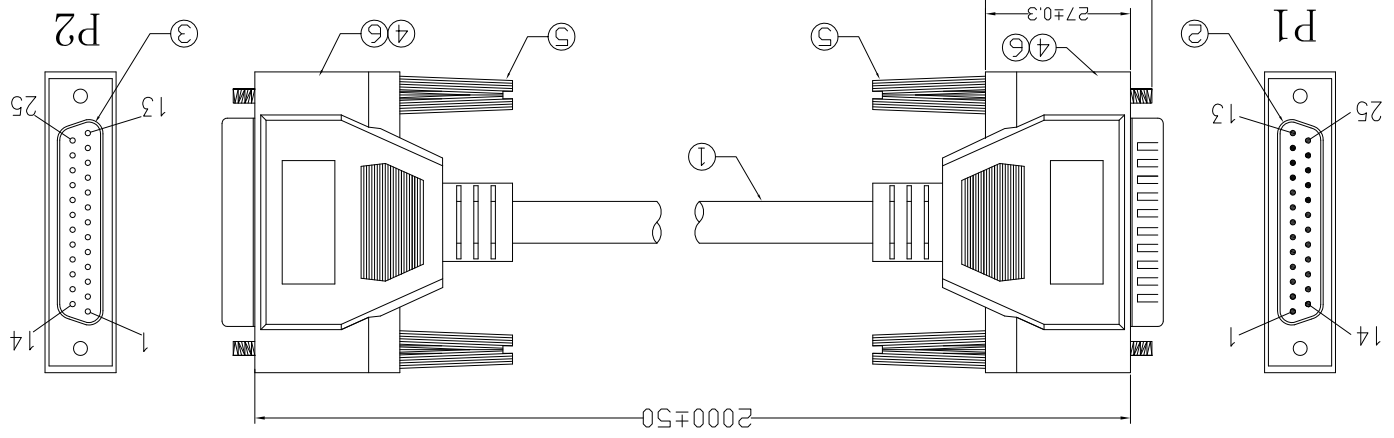
H	Angle	TOL	Id.	Modification	Date	Name	ASSMANN WSW components	Replace	Drawing-No. ASS 7874 CA	rev01	Sheet	
	DIM	TOL			04.09.2017	Fred						04.09.2017
G	Scale	Free	TOLERANCE		Customer-No.	Date	Name	ASSMANN WSW-No.	AK135-2	Customer-No.	Date	Name
			20.02.2017	Amy								

Unit: mm
RoHS compliant

NO.	NAME	Q'TY	SPECIFICATION
①	CABLE	1	NOUL 28AWG*25C+D+AL/MY 0D6.5mm JACKET BEIGE(IV-29) L=2000±10MM
②	CONN	1	DB 25P MALE SODER TYPE PIN G/F SHELL NI-PLATED INSULATOR COLOR:BLUE
③	CONN	1	DB 25P FEMALE SODER TYPE PIN G/F SHELL NI-PLATED INSULATOR COLOR:BLUE
④	OUT JACKET	60g	BEIGE(IV-29) 40P PVC(Mould NO.WM-017)
⑤	IN JACKET	18g	CLEAR LD-PE (Mould NO.:NM-33)
⑥	SCREW	4	#4-40UNC TYPE L=30mm,NICKEL PLATED,MOLD:BEIGE(IV-29) ABS
⑦	TUBE	2	HEAT SHRINK TUBE BLACK OD1.5*20MM
⑧	PE BAG	1	CLEAR SIZE:150*280*0.05mm PRINT BLACK"MADE IN CHINA"
⑨	PE BAG	1/10	CLEAR SIZE:360*380*0.05mm PRINT BLACK"MADE IN CHINA"+"10PCS"
⑩	TIE	1	WHITE L=80mm



Electrical test:
 1.100% short,open,miswire test
 2.Conduct resistance:5 Ohm(max)
 3.Insulation resistance:10Mohm(min)
 4.dielectric test:DC 300V



PIN ASSIGNMENT	
P1	1
P1	2
P1	3
P1	4
P1	5
P1	6
P1	7
P1	8
P1	9
P1	10
P1	11
P1	12
P1	13
P1	14
P1	15
P1	16
P1	17
P1	18
P1	19
P1	20
P1	21
P1	22
P1	23
P1	24
P1	25
P2	1
P2	2
P2	3
P2	4
P2	5
P2	6
P2	7
P2	8
P2	9
P2	10
P2	11
P2	12
P2	13
P2	14
P2	15
P2	16
P2	17
P2	18
P2	19
P2	20
P2	21
P2	22
P2	23
P2	24
P2	25

X-ON Electronics

Largest Supplier of Electrical and Electronic Components

Click to view similar products for [assmann manufacturer](#):

Other Similar products are found below :

[AU-Y1007-R](#) [A-DF15-HOOD-WP](#) [A-USB-1](#) [AK-320200-100-S](#) [AK-330109-020-S](#) [AK-330114-050-S](#) [AK-340603-000-S](#) [AK500-RA-6-0.5-R](#) [AK669/2-18-BLACK-R](#) [AT-K-26-10-B/1000](#) [AU-Y1008-2-R](#) [AWG28-50/G/300](#) [AWH26G-0232](#) [AB-900](#) [AB-970](#) [AB-984](#) [A-DS 15PP](#) [AK-320108-030-S](#) [AK-320200-030-S](#) [AK-330107-010-S](#) [AK-330107-020-S](#) [AK-330505-000-S](#) [AK3730X-R](#) [AK579/F-2](#) [A-MCU60010/Y](#) [A-PC2302-030028-1](#) [AT-S-26-8/8/W-7/R](#) [AWH-24G-E202-IDC](#) [DK-2631-05](#) [DN-91624U](#) [DN-91548U](#) [DK-1511-015/WH](#) [A-MCU60030/R](#) [AWH50G-0202-T-R](#) [AK500/16-OE-7-0.5](#) [AK500/14-OE-5-2](#) [DK-1611-020/B](#) [DK-1511-100/G](#) [AK-320100-020-S](#) [AK-320400-002-S](#) [AT-K-26-6-B/500](#) [AK-400102-008-R](#) [AT-K-26-6-W/100](#) [AWP 10-7540-T](#) [AK-330118-100-S](#) [AK-330118-300-S](#) [AK-340102-010-W](#) [AK500/U-1-R](#) [AK-SATA-030DL-R](#) [AWG28-16/G/300](#)