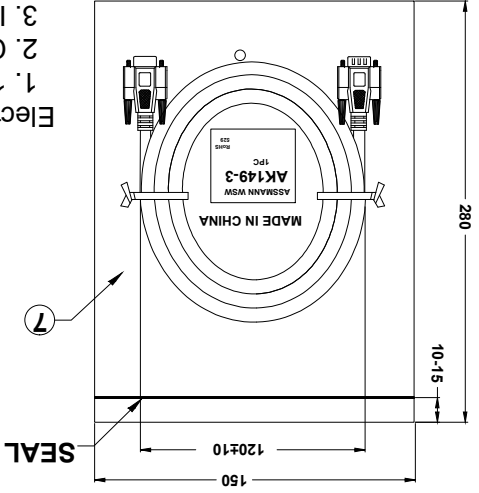


RoHS compliant

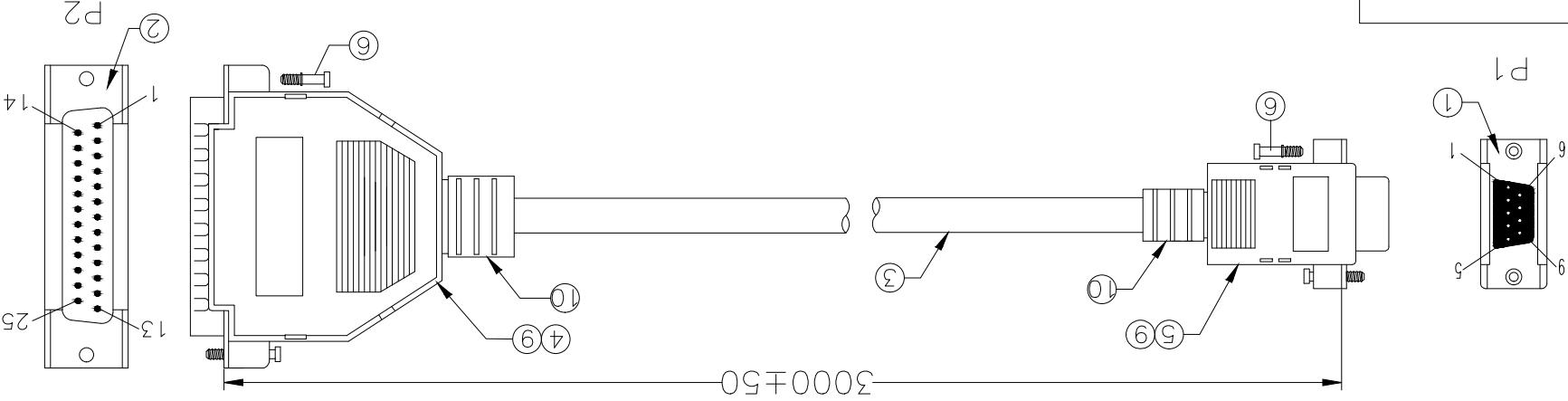
Unit: mm

PIN ASSIGNMENT	
P1	black
1	black
2	grey
3	yellow
4	purple
5	orange
6	red
7	brown
8	green
9	blue
10	drain
SHELL	



- Electrical test:
1. 100% short, open, miswire test
 2. Conduct resistance: 2Ω max.
 3. Insulation resistance: $5M\Omega$ min.
 4. Hi-Pot: 300V DC

No.	NAME	QTY	DESCRIPTION
①	CONN	1	DB 9PIN FEMALE PIN G/F SHELL-NIKEL SOLDER TYPE INSULATION COLOR BLUE
②	CONN	1	DB 25PIN MALE PIN G/F SHELL-NIKEL SOLDER TYPE INSULATION COLOR BLUE
③	CABLE	1	NOUL 28AWG*9C*D+W+AL/MY,BEIGE,OD5.0mm
④	DKN	1	DB25P DKN W/O NUT BEIGE
⑤	DKN	1	DB9P DKN W/O NUT BEIGE
⑥	SCREW	4	SCREW/#4-40UNC L12.5mm,nickel plated
⑦	PE BAG	1	CLEAR SIZE: 150*280*0.05mm, PRINT BLACK,MADE IN CHINA*+1PC*
⑧	PE BAG	1/10	CLEAR SIZE: 360*380*0.05mm, PRINT BLACK,MADE IN CHINA*+10PC*
⑨	TUBE	50mm	HEAT SHRINK TUBE BLACK OD 1.5MM
⑩	S/R	5.5g	BEIGE 45P PVC



Scale	FREE	TOLERANCE	Customer-No.		Date		Name	
			ASSMANN WSW-No.	AK149-3	17.11.2014	17.11.2014	Joanna	Joanna
Angle	TOL		ASSMANN WSW	components	Date	17.11.2014	Modification	Drawn
Angle	TOL		ASSMANN WSW	components	Date	17.11.2014	Modification	Drawn
DIM	TOL		ASSMANN WSW	components	Date	17.11.2014	Modification	Drawn
Angle	TOL		ASSMANN WSW	components	Date	17.11.2014	Modification	Drawn
Angle	TOL		ASSMANN WSW	components	Date	17.11.2014	Modification	Drawn

Customer-No.	ASSMANN WSW-No.	Drawing-No.	Replace	Sheet
ASSMANN WSW-No.	AK149-3	ASS 7237 CA	rev00	7

A B C D E F G H

A B C D E F G H

1 2 3 4 5 6 7

1 2 3 4 5 6 7

X-ON Electronics

Largest Supplier of Electrical and Electronic Components

Click to view similar products for [assmann](#) manufacturer:

Other Similar products are found below :

[AU-Y1007-R](#) [AK-320200-100-S](#) [AK-340305-010-W](#) [AK-340603-000-S](#) [AK500-RA-6-0.5-R](#) [AK669/2-18-BLACK-R](#) [AT-K-26-10-B/1000](#)
[AU-Y1008-2-R](#) [AWG28-50/G/300](#) [AWH26G-0232](#) [AB-900](#) [AB-970](#) [AB-984](#) [A-DS 15PP](#) [AK-340301-030-S](#) [AK-340305-020-W](#)
[AK3730X-R](#) [AK579/F-2](#) [A-MCU60010/Y](#) [A-PC2302-030028-1](#) [AT-S-26-8/8/W-7/R](#) [DN-91524U](#) [DK-2631-05](#) [DN-91624U](#) [DN-91548U](#)
[DK-1511-015/WH](#) [A-MCU60030/R](#) [AWH50G-0202-T-R](#) [AK500/16-OE-7-0.5](#) [DK-1611-020/B](#) [DK-1511-100/G](#) [AT-K-26-10-W/1000](#)
[AWG28-15/G/300](#) [ATUP-P305T](#) [AWP 10-7540-T](#) [AK-330118-100-S](#) [AK-330118-300-S](#) [AK500/U-1-R](#) [AK-SATA-030DL-R](#) [AWG28-](#)
[16/G/300](#) [AWG28-9/F/300](#) [ADIP16-G-LC-R](#) [AK-330105-300-S](#) [AK-340406-001-W](#) [A-MCSSP60020/B-R](#) [A-MO-8/8-F50-R](#) [AWG28-](#)
[9/G/300](#) [V25HK](#) [A-LED8-1WAAS-MR7-1](#) [AWP2 16-7240](#)