
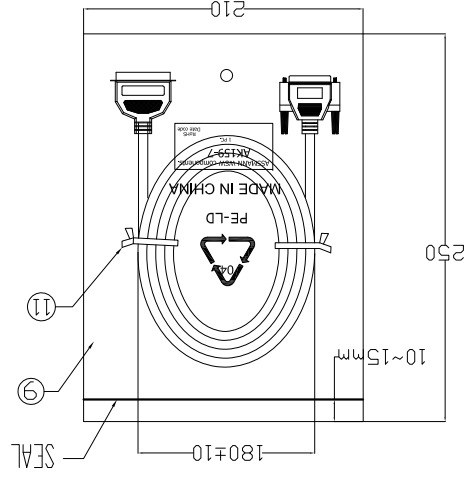


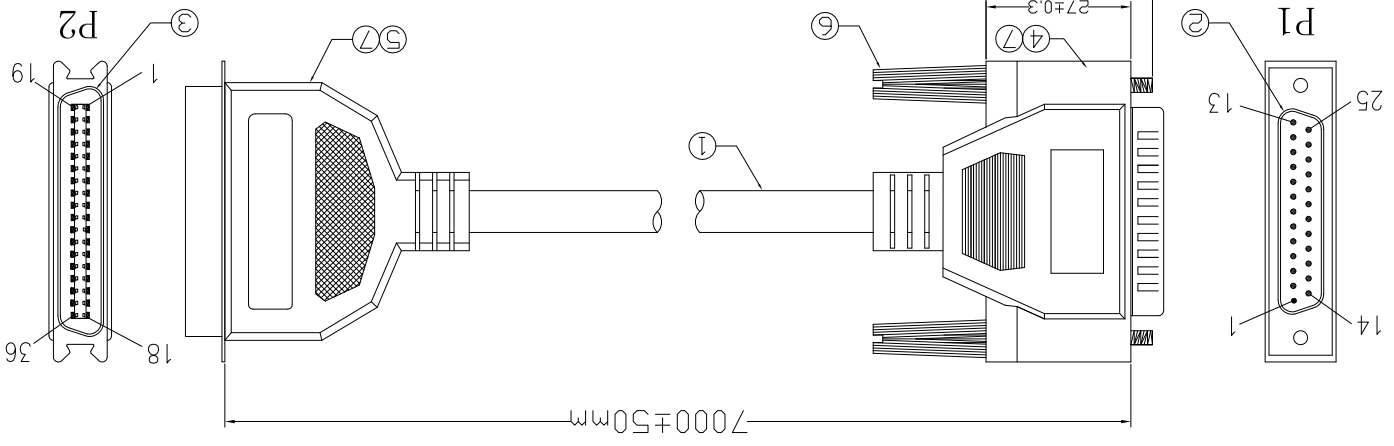
H	H	G	G	F	F	E	D	D	C	B	A	Angle	TOL	Id.	Modification	Date	Name		Replace	Drawing-No.	ASS 7857 CA	rev01	Sheet
												DIM	TOL			04.09.2017	Fred		04.09.2017				
		TOLERANCE										Scale	Free										

RoHS compliant
Unit: mm



NO.	NAME	Q'TY	SPECIFICATION
①	CABLE	1	NOUL 28AWG*25C+D+AL/MY OD6.5mm JACKET:BEIGE(IV-29) L=7000±20MM
②	CONN	1	DB 25P MALE SODER TYPE PIN G/F SHELL NI-PLATED INSULATOR COLOR:BLUE
③	CONN	1	CN 36P MALE SODER TYPE PIN G/F SHELL NI-PLATED INSULATOR COLOR:BLUE
④	OUT JACKET	30g	BEIGE(IV-29) 40P PVC(Mould NO.WM-071)
⑤	NI JACKET	9g	CLEAR LD-PE (Mould NO.:NM-33)
⑥	OUT JACKET	30g	BEIGE(IV-29) 40P PVC(Mould NO.WM-145)
⑦	NI JACKET	9g	CLEAR LD-PE (Mould NO.:NM-62)
⑧	SCREW	2	#4-40UNC TYPE L=30mm,NICKEL PLATED,MOLD:BEIGE(IV-29) ABS
⑨	TUBE	2	HEAT SHRINK TUBE BLACK OD1.5*20MM
⑩	PE BAG	1	CLEAR SIZE: 150*280*0.05mm PRINT BLACK'MADE IN CHINA'+'PC'
⑪	PE BAG	1/5	CLEAR SIZE: 360*380*0.05mm PRINT BLACK'MADE IN CHINA'+'SPCS'
⑫	TIE	2	WHITE L=180mm

Electrical test:
 1.100% short,open,miswire test
 2.Conduct resistance:5 Ohm(max)
 3.insulation resistance:10Mohm(min)
 4.dielectric test:DC 300V/10ms



PIN ASSIGNMENT	PIN	SHELL
P1	1	1
P1	2	2
P1	3	3
P1	4	4
P1	5	5
P1	6	6
P1	7	7
P1	8	8
P1	9	9
P1	10	10
P1	11	11
P1	12	12
P1	13	13
P1	14	14
P1	15	15
P1	16	16
P1	17	17
P1	18	18
P1	19	19
P1	20	20
P1	21	21
P1	22	22
P1	23	23
P1	24	24
P1	25	25
P1	26	26
P1	27	27
P1	28	28
P1	29	29
P1	30	30
P2	31	31
P2	32	32
P2	33	33
P2	34	34
P2	35	35
P2	36	36

X-ON Electronics

Largest Supplier of Electrical and Electronic Components

Click to view similar products for [assmann](#) manufacturer:

Other Similar products are found below :

[AU-Y1007-R](#) [A-DF15-HOOD-WP](#) [A-USB-1](#) [AK-320200-100-S](#) [AK-330109-020-S](#) [AK-340603-000-S](#) [AK500-RA-6-0.5-R](#) [AK669/2-18-BLACK-R](#) [AT-K-26-10-B/1000](#) [AU-Y1008-2-R](#) [AWG28-50/G/300](#) [AWH26G-0232](#) [AB-900](#) [AB-970](#) [AB-984](#) [A-DS 15PP](#) [AK-330107-010-S](#) [AK-330505-000-S](#) [AK3730X-R](#) [AK579/F-2](#) [A-MCU60010/Y](#) [A-PC2302-030028-1](#) [AT-S-26-8/8/W-7/R](#) [AWH-24G-E202-IDC](#) [DK-2631-05](#) [DN-91624U](#) [DN-91548U](#) [DK-1511-015/WH](#) [A-MCU60030/R](#) [AWH50G-0202-T-R](#) [AK500/16-OE-7-0.5](#) [AK500/14-OE-5-2](#) [DK-1611-020/B](#) [DK-1511-100/G](#) [AK-320400-002-S](#) [AT-K-26-6-B/500](#) [AK-400102-008-R](#) [AT-K-26-6-W/100](#) [AWP 10-7540-T](#) [AK-330118-100-S](#) [AK-330118-300-S](#) [AK-340102-010-W](#) [AK500/U-1-R](#) [AK-SATA-030DL-R](#) [AWG28-16/G/300](#) [AWG28-9/F/300](#) [ADIP16-G-LC-R](#) [AK-310203-018-E](#) [AK-330105-300-S](#) [AK-340406-001-W](#)