
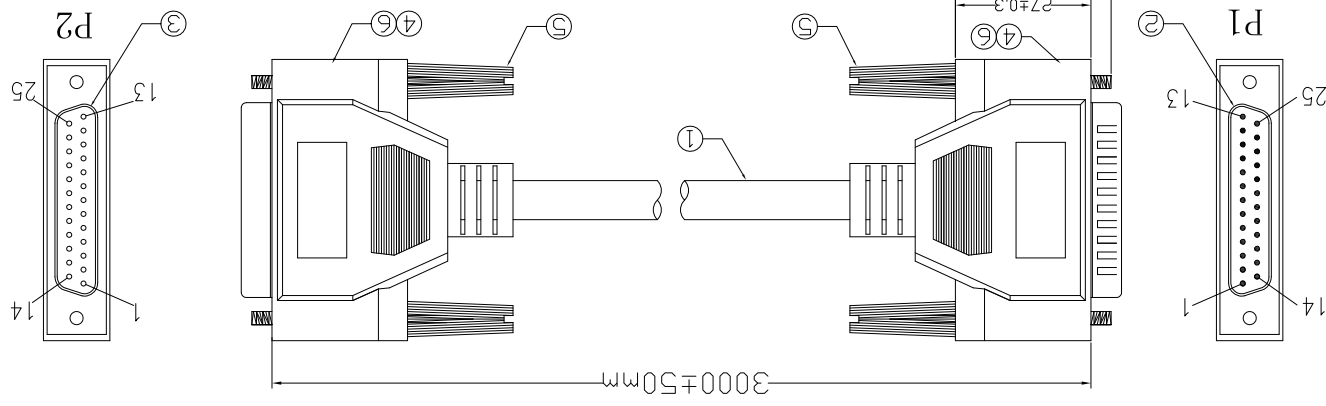
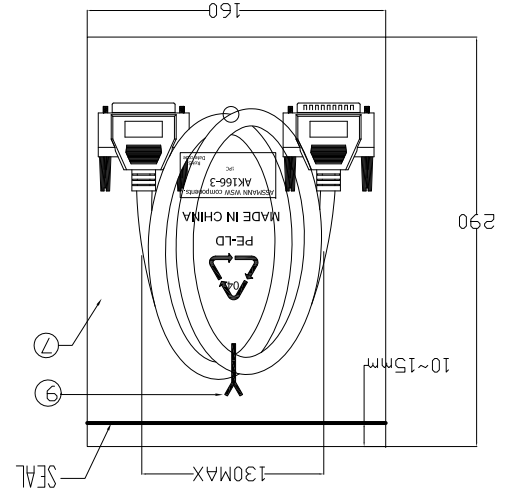


H	Angle	TOL	Id.	Modification	Date	Name		Replace	Sheet
	DIM	TOL	①	Delete the wire color for pin assignment	04.09.2017	Fred			
G	Scale	Free	Customer-No.						
	TOLERANCE		ASSMANN WSW-No.						
G									
H									

Unit: mm
RoHS compliant

NO.	NAME	QTY	SPECIFICATION
①	CABLE	1	NOUL 28#*25C+D+AL/MY 0D6.5mm JACKET BEIGE(V-29) L=3000±10mm
②	CONN	1	DB 25P MALE SOLDER TYPE PIN G/F SHELL NI-PLATED INSULATOR COLOR:BLUE
③	CONN	1	DB 25P FEMALE SODER TYPE PIN G/F SHELL NI-PLATED INSULATOR COLOR:BLUE
④	OUT JACKET	60g	BEIGE(V-29) 40P PVC(Mould NO.WM-017)
⑤	IN JACKET	18g	CLEAR LD-PE (Mould NO:NM-33)
⑥	SCREW	4	#4-40UNC TYPE D-E L=30mm,NICKEL PLATED,MOLD:BEIGE(V-29) ABS
⑦	TUBE	2	HEAT SHRINK TUBE BLACK OD1.5*20MM
⑧	PE BAG	1	CLEAR SIZE:160*290*0.05mm PRINT BLACK"MADE IN CHINA"
⑨	PE BAG	1/10	CLEAR SIZE:360*380*0.05mm PRINT BLACK"MADE IN CHINA"+"10PCS"
⑩	TIE	1	WHITE L=120mm

Electrical test:
 1.100% short,open,miswire test
 2.Conduct resistance: 5 ohm(max)
 3.Insulation resistance: 10 Mohm(min)
 4.dielectric test:DC 300V/10ms



① PIN ASSIGNMENT

P1	1	2	3	4	5	6	7	8	9	10	11	12	13	14	15	16	17	18	19	20	21	22	23	24	25
SHELL																									

X-ON Electronics

Largest Supplier of Electrical and Electronic Components

Click to view similar products for [assmann manufacturer](#):

Other Similar products are found below :

[AU-Y1007-R](#) [A-DF15-HOOD-WP](#) [A-USB-1](#) [AK-320200-100-S](#) [AK-330109-020-S](#) [AK-330114-050-S](#) [AK-340603-000-S](#) [AK500-RA-6-0.5-R](#) [AK669/2-18-BLACK-R](#) [AT-K-26-10-B/1000](#) [AU-Y1008-2-R](#) [AWG28-50/G/300](#) [AWH26G-0232](#) [AB-900](#) [AB-970](#) [AB-984](#) [A-DS 15PP](#) [AK-320108-030-S](#) [AK-320200-030-S](#) [AK-330107-010-S](#) [AK-330107-020-S](#) [AK-330505-000-S](#) [AK3730X-R](#) [AK579/F-2](#) [A-MCU60010/Y](#) [A-PC2302-030028-1](#) [AT-S-26-8/8/W-7/R](#) [AWH-24G-E202-IDC](#) [DK-2631-05](#) [DN-91624U](#) [DN-91548U](#) [DK-1511-015/WH](#) [A-MCU60030/R](#) [AWH50G-0202-T-R](#) [AK500/16-OE-7-0.5](#) [AK500/14-OE-5-2](#) [DK-1611-020/B](#) [DK-1511-100/G](#) [AK-320100-020-S](#) [AK-320400-002-S](#) [AT-K-26-6-B/500](#) [AK-400102-008-R](#) [AT-K-26-6-W/100](#) [AWP 10-7540-T](#) [AK-330118-100-S](#) [AK-330118-300-S](#) [AK-340102-010-W](#) [AK500/U-1-R](#) [AK-SATA-030DL-R](#) [AWG28-16/G/300](#)