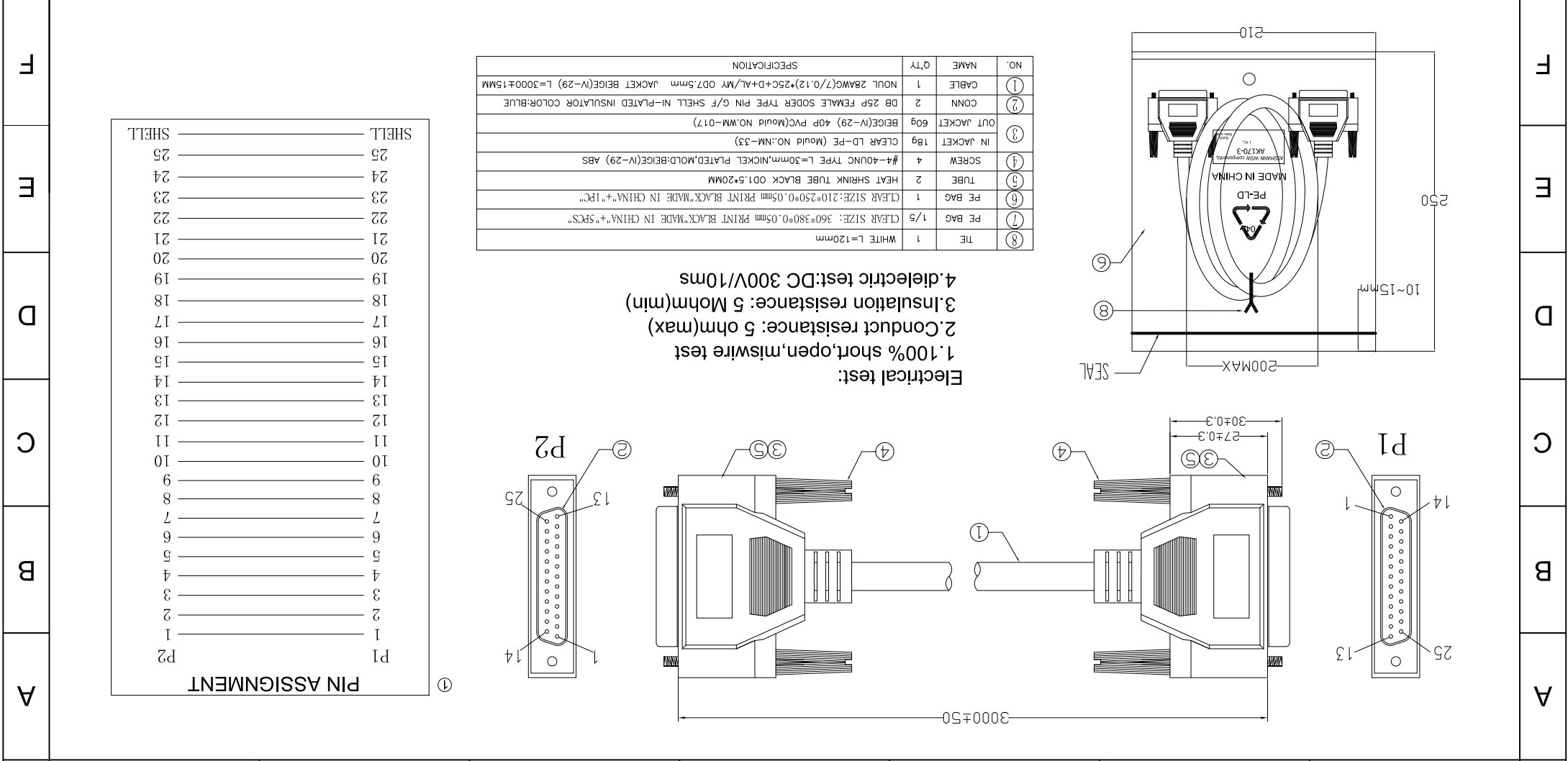


H	H	Angle	TOL	①	Delete the wire color for pin assignment	04.09.2017	Fred	ASSMANN	Replace	Drawing-No. ASS 7872 CA	rev01	Sheet		
		DIM	TOL											
G	G	Scale	Free	②	Drawn	20.02.2017	Amy	ASSMANN WS-W-No. AK170-3	Customer-No.	Name	Date	Approved	04.09.2017	Fred
		TOLERANCE												

Unit: mm  
RoHS compliant



NO.	NAME	Q'TY	SPECIFICATION
①	CABLE	1	NOUL 28AWG(7/0.12)*25C+D+AL/MY OD7.5mm JACKET BEIGE(IV-29) L=3000±15MM
②	CONN	2	DB 25P FEMALE SODER TYPE PIN G/F SHELL NI-PLATED INSULATOR COLOR:BLUE
③	OUT JACKET	60g	BEIGE(IV-29) 40P PVC(Mould NO. WM-017)
④	IN JACKET	18g	CLEAR LD-PE (Mould NO. NM-33)
⑤	SCREW	4	#4-40UNC TYPE L=30mm,NICKEL PLATED,MOLD:BEIGE(IV-29) ABS
⑥	TUBE	2	HEAT SHRINK TUBE BLACK OD1.5*20MM
⑦	PE BAG	1/5	CLEAR SIZE:210*250*0.05mm PRINT BLACK"MADE IN CHINA"+"IPC"
⑧	TIE	1	CLEAR SIZE: 360*380*0.05mm PRINT BLACK"MADE IN CHINA"+"SPCS" WHITE L=120mm

Electrical test:  
 1. 100% short, open, miswire test  
 2. Conduct resistance: 5 ohm(max)  
 3. Insulation resistance: 5 Mohm(min)  
 4. dielectric test: DC 300V/10ms

PIN ASSIGNMENT	SHELL
P1	25
1	25
2	25
3	25
4	25
5	25
6	25
7	25
8	25
9	25
10	25
11	25
12	25
13	25
14	25
15	25
16	25
17	25
18	25
19	25
20	25
21	25
22	25
23	25
24	25
25	25

## X-ON Electronics

Largest Supplier of Electrical and Electronic Components

*Click to view similar products for [assmann](#) manufacturer:*

Other Similar products are found below :

[AU-Y1007-R](#) [AK-320200-100-S](#) [AK-340305-010-W](#) [AK-340603-000-S](#) [AK500-RA-6-0.5-R](#) [AK669/2-18-BLACK-R](#) [AT-K-26-10-B/1000](#)  
[AU-Y1008-2-R](#) [AWG28-50/G/300](#) [AWH26G-0232](#) [AB-900](#) [AB-970](#) [AB-984](#) [A-DS 15PP](#) [AK-340301-030-S](#) [AK-340305-020-W](#)  
[AK3730X-R](#) [AK579/F-2](#) [A-MCU60010/Y](#) [A-PC2302-030028-1](#) [AT-S-26-8/8/W-7/R](#) [DN-91524U](#) [DK-2631-05](#) [DN-91624U](#) [DN-91548U](#)  
[DK-1511-015/WH](#) [A-MCU60030/R](#) [AWH50G-0202-T-R](#) [AK500/16-OE-7-0.5](#) [DK-1611-020/B](#) [DK-1511-100/G](#) [AT-K-26-10-W/1000](#)  
[AWG28-15/G/300](#) [ATUP-P305T](#) [AWP 10-7540-T](#) [AK-330118-100-S](#) [AK-330118-300-S](#) [AK500/U-1-R](#) [AK-SATA-030DL-R](#) [AWG28-](#)  
[16/G/300](#) [AWG28-9/F/300](#) [ADIP16-G-LC-R](#) [AK-330105-300-S](#) [AK-340406-001-W](#) [A-MCSSP60020/B-R](#) [A-MO-8/8-F50-R](#) [AWG28-](#)  
[9/G/300](#) [V25HK](#) [A-LED8-1WAAS-MR7-1](#) [AWP2 16-7240](#)