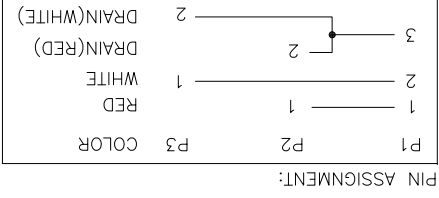
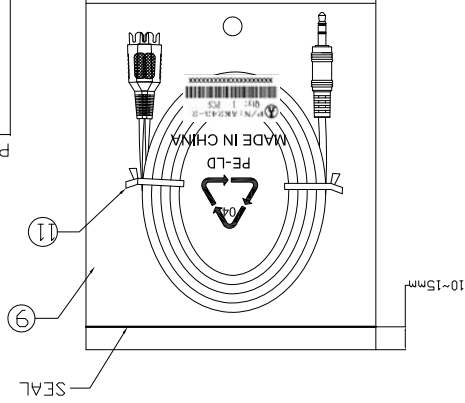
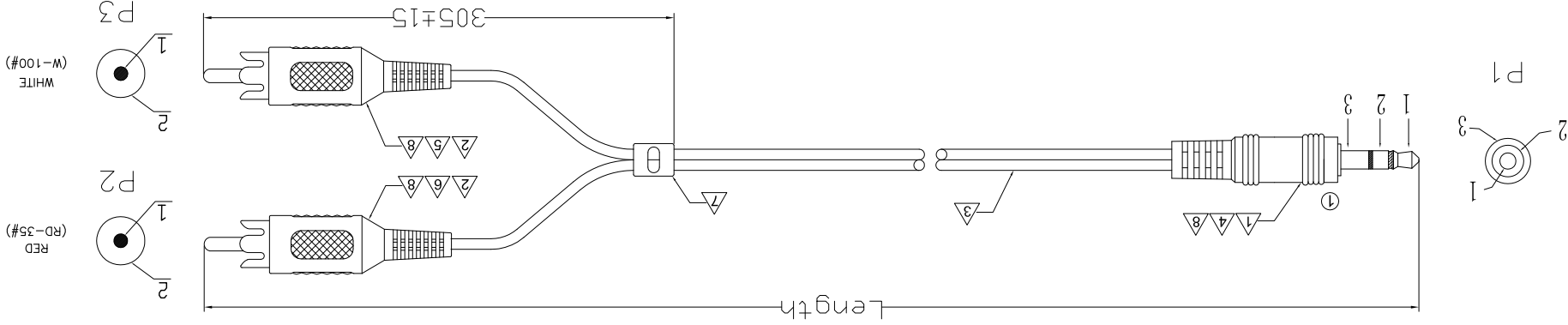


RoHS compliant  
Unit: mm



WSW P/N	Length	⑨ PE BAG	⑩ PE BAG
AK243-2	2000±30	130*230*0.05mm	280*330*0.05mm
AK243-10	10000±100	210*250*0.05mm	360*380*0.05mm
AK243-015	1500±50	130*230*0.05mm	280*330*0.05mm
AK243-025	2500±50	130*230*0.05mm	280*330*0.05mm
AK243-050	5000±50	150*280*0.05mm	280*330*0.05mm

Electrical test:  
 1.100% short/open, miswire test  
 2. Conduct resistance: 5 Ohm(max)  
 3. Insulation resistance: 5Mohm(min)  
 4. dielectric test: DC 300V



NO.	NAME	QTY	SPECIFICATION
1	CONN	1	3.5ST MALE Tray6.0mm L=26mm MOLD TYPE NI-PLATED INSULATOR COLOR:BLACK
2	CONN	2	RCA PLUG MALE BLOSSOM TYPE NI-PLATED INSULATOR COLOR: BROWN
3	CABLE	1	NOUL [(1/0,.10)+(S(28/0.10))*2F JACKET BLACK OD2.8*5.6mm
4	OUT JACKET	3.0g	BLACK PVC-40P (Mould NO.:WM-020)
5	OUT JACKET	3.3g	PVC-40P WHITE(W-100)(Mould NO.:WM-009)
6	OUT JACKET	3.3g	PVC-40P RED(RD-35)(Mould NO.:WM-009)
7	IN JACKET	0.8g	CLEAR LD-PE (Mould NO.:NM-006)
8	IN JACKET	0.8g	CLEAR LD-PE (Mould NO.:NM-006)
9	TUBE	3	HEAT SHRINK TUBE BLACK OD1.5*10mm
10	PE BAG	1	CLEAR PRINT BLACK"MADE IN CHINA"+"1PC"
11	TIE	2	BLACK

Scale Free

TOLERANCE

DIM TOL

Angle TOL

Id.

Modification

Date

Name

Replace

Sheet

1

2

3

4

5

6

7

H

G

F

E

D

C

B

A

H

G

F

E

D

C

B

A



ASSMANN WSW-Components  
 Drawing-No. ASS 7856 CA  
 rev01

Customer-No. ASSMANN WSW-No. AK243-XX

Name Amy  
 Date 20.02.2017  
 Approved 06.01.2020  
 Segal

Update the SR  
 06.01.2020  
 Segal

Drawn  
 20.02.2017  
 Amy

Replace  
 Drawing-No. ASS 7856 CA  
 rev01

Sheet

## X-ON Electronics

Largest Supplier of Electrical and Electronic Components

*Click to view similar products for [assmann](#) manufacturer:*

Other Similar products are found below :

[AU-Y1007-R](#) [AK-320200-100-S](#) [AK-340305-010-W](#) [AK-340603-000-S](#) [AK500-RA-6-0.5-R](#) [AK669/2-18-BLACK-R](#) [AT-K-26-10-B/1000](#)  
[AU-Y1008-2-R](#) [AWG28-50/G/300](#) [AWH26G-0232](#) [AB-900](#) [AB-970](#) [AB-984](#) [A-DS 15PP](#) [AK-340301-030-S](#) [AK-340305-020-W](#)  
[AK3730X-R](#) [AK579/F-2](#) [A-MCU60010/Y](#) [A-PC2302-030028-1](#) [AT-S-26-8/8/W-7/R](#) [DN-91524U](#) [DK-2631-05](#) [DN-91624U](#) [DN-91548U](#)  
[DK-1511-015/WH](#) [A-MCU60030/R](#) [AWH50G-0202-T-R](#) [AK500/16-OE-7-0.5](#) [DK-1611-020/B](#) [DK-1511-100/G](#) [AT-K-26-10-W/1000](#)  
[AWG28-15/G/300](#) [ATUP-P305T](#) [AWP 10-7540-T](#) [AK-330118-100-S](#) [AK-330118-300-S](#) [AK500/U-1-R](#) [AK-SATA-030DL-R](#) [AWG28-](#)  
[16/G/300](#) [AWG28-9/F/300](#) [ADIP16-G-LC-R](#) [AK-330105-300-S](#) [AK-340406-001-W](#) [A-MCSSP60020/B-R](#) [A-MO-8/8-F50-R](#) [AWG28-](#)  
[9/G/300](#) [V25HK](#) [A-LED8-1WAAS-MR7-1](#) [AWP2 16-7240](#)