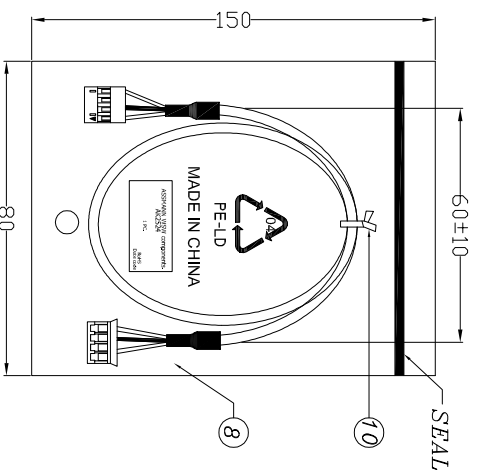


Electrical test:
 1. 100% short, open, miss wire test
 2. Conduct resistance: $\leq 1 \text{ Ohm(max)}$
 3. Insulation resistance: $\geq 10 \text{ MOhm(min)}$
 4. Dielectric test: DC 300V



PIN ASSIGNMENT			
P1	WHITE	P2	
4	DRAIN	1	
2	RED	2	
1	RED	3	

NO.	NAME	Q'TY	SPECIFICATION
⑩	TIE	1	WHITE L=60mm
⑨	PE BAG	1/10	CLEAR SIZE: 280*330*0.05mm PRINT BLACK"MADE IN CHINA" "10PCS"
⑧	PE BAG	1	CLEAR SIZE: 80*150*0.05mm PRINT BLACK"MADE IN CHINA"
⑦	TUBE	2	HEAT SHRINK TUBE BLACK OD 1.0ϕ L=38±1mm
⑥	TUBE	2	HEAT SHRINK TUBE BLACK OD 3.0ϕ L=10±1mm
⑤	TER	3	PITCH: 2.0MM MATERIAL: PHOSPHOR BRONZE TIN-PLATED (ZYA2002H-4P)
④	HSG	1	PITCH: 2.0mm 1*4P HSG WHITE (ZYA2002H-4P)
③	TER	3	DUPont TER PH2.54mm MATERIAL: BRASS TIN-PLATED CRIMP TYPE(ZAY25241HM-04)
②	HSG	1	DUPont HSG 1*4P PH: 2.54mm COLOR: BLACK Hook(ZAY25241HM-04)
①	CABLE	1	UL2547 28AWG*2C(WHITE,RED)+D JACKET GREY(A-112#) OD2.8mm L=500±5/-0MM

RoHS compliant
 Unit: mm

Scale	Free	Customer-No.
TOLERANCE		ASSMANN WSW-No. AK2524
DIM	TOL	Drawing-No. ASS 7881 CA
Angle	TOL	Replace rev00
Id.	Modification	Sheet
⑩	Drawn	
Date	20.02.2017	
Name	Amy	
Date	20.02.2017	
Name	Amy	

ASSMANN
 WSW components

1	2	3	4	5	6	7
1	2	3	4	5	6	7

X-ON Electronics

Largest Supplier of Electrical and Electronic Components

Click to view similar products for [assmann](#) manufacturer:

Other Similar products are found below :

[AU-Y1007-R](#) [A-DF15-HOOD-WP](#) [A-USB-1](#) [AK-320200-100-S](#) [AK-330109-020-S](#) [AK-330114-050-S](#) [AK-340603-000-S](#) [AK500-RA-6-0.5-R](#) [AK669/2-18-BLACK-R](#) [AT-K-26-10-B/1000](#) [AU-Y1008-2-R](#) [AWG28-50/G/300](#) [AWH26G-0232](#) [AB-900](#) [AB-970](#) [AB-984](#) [A-DS 15PP](#) [AK-320108-030-S](#) [AK-320200-030-S](#) [AK-330107-010-S](#) [AK-330107-020-S](#) [AK-330505-000-S](#) [AK3730X-R](#) [AK579/F-2](#) [A-MCU60010/Y](#) [A-PC2302-030028-1](#) [AT-S-26-8/8/W-7/R](#) [AWH-24G-E202-IDC](#) [DK-2631-05](#) [DN-91624U](#) [DN-91548U](#) [DK-1511-015/WH](#) [A-MCU60030/R](#) [AWH50G-0202-T-R](#) [AK500/16-OE-7-0.5](#) [AK500/14-OE-5-2](#) [DK-1611-020/B](#) [DK-1511-100/G](#) [AK-320100-020-S](#) [AK-320400-002-S](#) [AT-K-26-6-B/500](#) [AK-400102-008-R](#) [AT-K-26-6-W/100](#) [AWP 10-7540-T](#) [AK-330118-100-S](#) [AK-330118-300-S](#) [AK-340102-010-W](#) [AK500/U-1-R](#) [AK-SATA-030DL-R](#) [AWG28-16/G/300](#)