

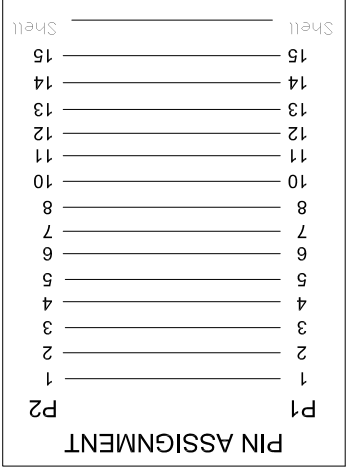
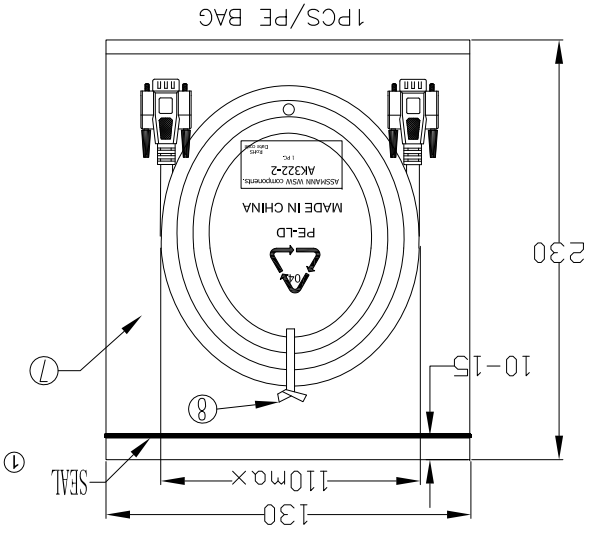
Unit: mm  
RoHS compliant

|           |      |
|-----------|------|
| Scale     | Free |
| TOLERANCE |      |
| DIM       | TOL  |
| Angle     | TOL  |

|  |            |      |
|--|------------|------|
| Modification                             | Date       | Name |
| Delete the wire color for pin assignment | 04.09.2017 | Fred |
|  | 20.02.2017 | Amy  |
|  |            |      |

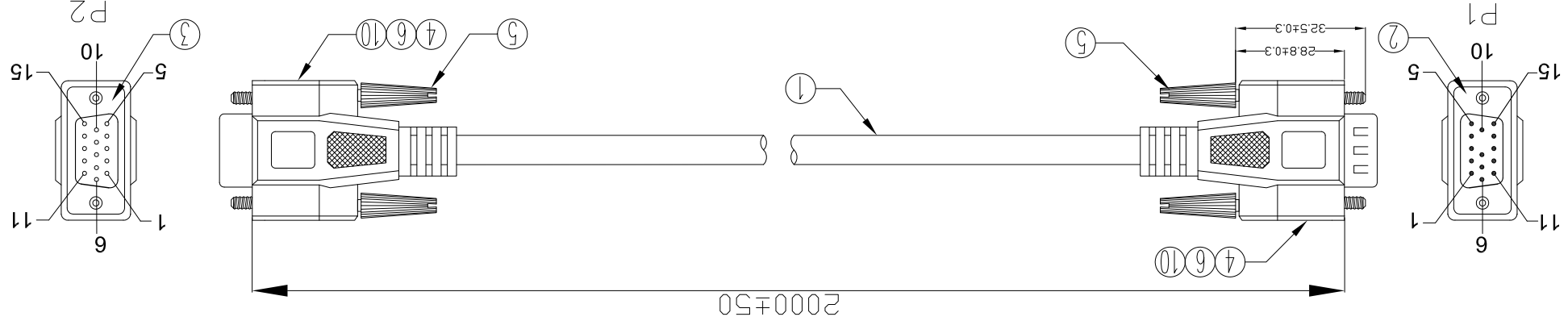
|                  |                  |
|------------------|------------------|
| ASSMANN WSW-Logo |                  |
| ASSMANN WSW-Logo | ASSMANN WSW-Logo |
| ASSMANN WSW-Logo | ASSMANN WSW-Logo |

|              |                 |             |         |
|--------------|-----------------|-------------|---------|
| Customer-No. | ASSMANN WSW-No. | Drawing-No. | Replace |
|              |                 | ASS 7878 CA | Sheet   |
|              |                 | AK322-2     |         |



| NO. | NAME       | Q'TY  | SPECIFICATION  |
|-----|------------|-------|--|
| ①   | CABLE      | 1     | NOL 28WG(7/0.12TC)*14G+AL/MY+D+W(7/0.12 TC)<br>OUTTER JACKET COROL:BEIGE(V-29) OD:6.0±0.15mm, L=2000±20mm. |
| ②   | CONN       | 1     | HDD15P MALE,PIN G/F:SHELL-NICKEL,INSULATION COLOR:BLUE, MISSING 9PIN SOLDER TYPE.                          |
| ③   | CONN       | 1     | HDD15P FEMALE,PIN G/F:SHELL-NICKEL,INSULATION COLOR:BLUE, SOLDER TYPE.                                     |
| ④   | IN JACKET  | 8g    | CLEAR LDPE(MOULD NO:NM-049)  |
| ⑤   | OUT JACKET | 43.5g | BEIGE(V-29) 40P PVC(MOULD NO:WM-113)   |
| ⑥   | SCREW      | 4     | SCREW:#4-40UNC L47mm,NICKEL PLATED,INSULATION COLOR BEIGE(V-29)  |
| ⑦   | PE BAG     | 1     | DOUBLE-SIDED CONDUCTIVE COPPER FOIL 18U" W25mm*L55mm   |
| ⑧   | TIE        | 1     | WHITE L=120mm  |
| ⑨   | PE BAG     | 1/10  | CLEAR SIZE:280*330*0.05mm PRINT BLACK"MADE IN CHINA"+"10PCS"   |
| ⑩   | TUBE       | 2     | HEAT SHRINK TUBE BLACK OD1.5*L=15MM  |

Electrical test:  
 1. 100% short,open,miss wire test  
 2. Conduct resistance:3 Ohm(max)  
 3. Insulation resistance:5 Mohm(min)  
 4. Dielectric test:DC 300V/10ms



## X-ON Electronics

Largest Supplier of Electrical and Electronic Components

*Click to view similar products for [assmann](#) manufacturer:*

Other Similar products are found below :

[AU-Y1007-R](#) [AK-320200-100-S](#) [AK-340305-010-W](#) [AK-340603-000-S](#) [AK500-RA-6-0.5-R](#) [AK669/2-18-BLACK-R](#) [AT-K-26-10-B/1000](#)  
[AU-Y1008-2-R](#) [AWG28-50/G/300](#) [AWH26G-0232](#) [AB-900](#) [AB-970](#) [AB-984](#) [A-DS 15PP](#) [AK-340301-030-S](#) [AK-340305-020-W](#)  
[AK3730X-R](#) [AK579/F-2](#) [A-MCU60010/Y](#) [A-PC2302-030028-1](#) [AT-S-26-8/8/W-7/R](#) [DN-91524U](#) [DK-2631-05](#) [DN-91624U](#) [DN-91548U](#)  
[DK-1511-015/WH](#) [A-MCU60030/R](#) [AWH50G-0202-T-R](#) [AK500/16-OE-7-0.5](#) [DK-1611-020/B](#) [DK-1511-100/G](#) [AT-K-26-10-W/1000](#)  
[AWG28-15/G/300](#) [ATUP-P305T](#) [AWP 10-7540-T](#) [AK-330118-100-S](#) [AK-330118-300-S](#) [AK500/U-1-R](#) [AK-SATA-030DL-R](#) [AWG28-16/G/300](#) [AWG28-9/F/300](#) [ADIP16-G-LC-R](#) [AK-330105-300-S](#) [AK-340406-001-W](#) [A-MCSSP60020/B-R](#) [A-MO-8/8-F50-R](#) [AWG28-9/G/300](#) [V25HK](#) [A-LED8-1WAAS-MR7-1](#) [AWP2 16-7240](#)