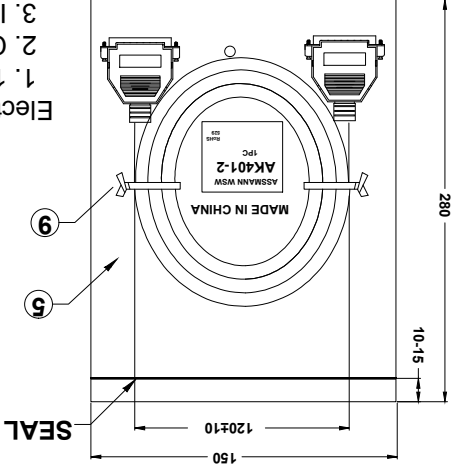


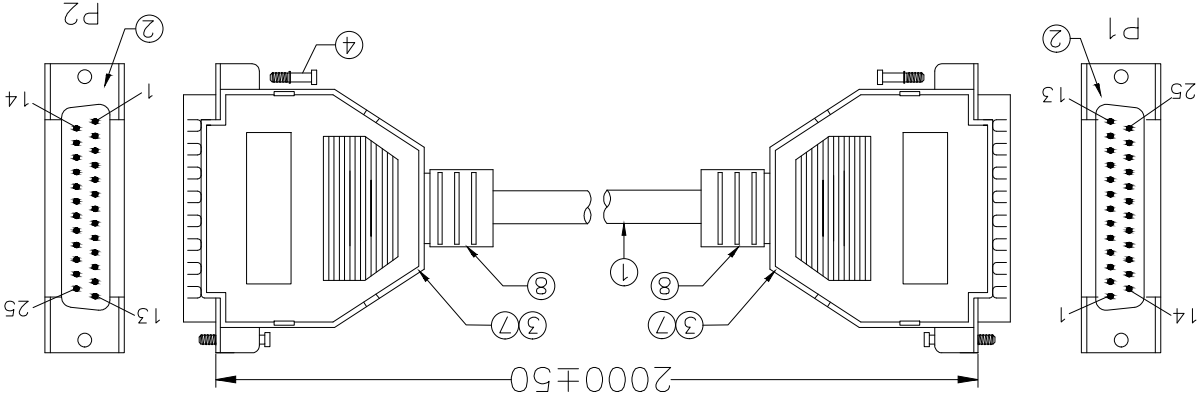
RoHS compliant  
Unit: mm

PIN ASSIGNMENT	
P1	black
1	black
2	brown
3	red
4	orange
5	yellow
6	green
7	blue
8	purple
9	white
10	pink
11	light/green
12	red/black
13	orange/black
14	yellow/black
15	green/black
16	blue/black
17	purple/black
18	white/black
19	red/white
20	orange/white
21	green/white
22	blue/white
23	purple/white
24	brown/white
25	drain
SHELL	



Electrical test:  
 1. 100% short ,open,miswire test  
 2. Conduct resistance: 2Ω max.  
 3. Insulation resistance: 5MΩ min.  
 4. HI-Pot: 300V DC

No.	NAME	QTY	DESCRIPTION
①	CABLE	1	NOUL 28AWG*25C+D+AL/MY, BEIGE, OD: 6.5mm
②	CONN	2	DB 25PIN MALE PIN G/F SHELL-NIKEL SOLDER TYPE INSULATION COLOR BLUE
③	DKN	2	DB25P DKN W/O NUT BEIGE
④	SCREW	4	SCREW:#4-40UNC L12.5mm,nickel plated
⑤	PE BAG	1	CLEAR SIZE: 150*280*0.05mm, PRINT BLACK"MADE IN CHINA"+"1PC"
⑥	PE BAG	1/10	CLEAR SIZE: 360*380*0.05mm, PRINT BLACK"MADE IN CHINA"+"10PC"
⑦	TUBE	2	HEAT SHRINK TUBE BLACK OD 1.5MM
⑧	S/R	5.5g	BEIGE 45P PVC
⑨	TIE	2	WHITE L=100MM



H		G		F		E		D		C		B		A	
H	Angle	TOL	DIM	TOL	TOL	TOL	TOL	TOL	TOL	TOL	TOL	TOL	TOL	TOL	TOL
	Scale														
H	Id.	①	①	①	①	①	①	①	①	①	①	①	①	①	①
	Modification	Drawn	Drawn	Drawn	Drawn	Drawn	Drawn	Drawn	Drawn	Drawn	Drawn	Drawn	Drawn	Drawn	Drawn
H	Date	17.11.2014	17.11.2014	17.11.2014	17.11.2014	17.11.2014	17.11.2014	17.11.2014	17.11.2014	17.11.2014	17.11.2014	17.11.2014	17.11.2014	17.11.2014	17.11.2014
	Name	Joanna	Joanna	Joanna	Joanna	Joanna	Joanna	Joanna	Joanna	Joanna	Joanna	Joanna	Joanna	Joanna	Joanna
WSSW/components		ASSMANN		WSSW/components		WSSW/components		WSSW/components		WSSW/components		WSSW/components		WSSW/components	
Replace		Drawing-No.		Customer-No.		Customer-No.		Customer-No.		Customer-No.		Customer-No.		Customer-No.	
rev00		ASS 7239 CA		AK401-2		AK401-2		AK401-2		AK401-2		AK401-2		AK401-2	
Sheet		ASSMANN WSW-No.		ASSMANN WSW-No.		ASSMANN WSW-No.		ASSMANN WSW-No.		ASSMANN WSW-No.		ASSMANN WSW-No.		ASSMANN WSW-No.	
7		6		5		4		3		2		1		7	

## X-ON Electronics

Largest Supplier of Electrical and Electronic Components

*Click to view similar products for [assmann](#) manufacturer:*

Other Similar products are found below :

[AU-Y1007-R](#) [AK-320200-100-S](#) [AK-340305-010-W](#) [AK-340603-000-S](#) [AK500-RA-6-0.5-R](#) [AK669/2-18-BLACK-R](#) [AT-K-26-10-B/1000](#)  
[AU-Y1008-2-R](#) [AWG28-50/G/300](#) [AWH26G-0232](#) [AB-900](#) [AB-970](#) [AB-984](#) [A-DS 15PP](#) [AK-340301-030-S](#) [AK-340305-020-W](#)  
[AK3730X-R](#) [AK579/F-2](#) [A-MCU60010/Y](#) [A-PC2302-030028-1](#) [AT-S-26-8/8/W-7/R](#) [DN-91524U](#) [DK-2631-05](#) [DN-91624U](#) [DN-91548U](#)  
[DK-1511-015/WH](#) [A-MCU60030/R](#) [AWH50G-0202-T-R](#) [AK500/16-OE-7-0.5](#) [DK-1611-020/B](#) [DK-1511-100/G](#) [AT-K-26-10-W/1000](#)  
[AWG28-15/G/300](#) [ATUP-P305T](#) [AWP 10-7540-T](#) [AK-330118-100-S](#) [AK-330118-300-S](#) [AK500/U-1-R](#) [AK-SATA-030DL-R](#) [AWG28-](#)  
[16/G/300](#) [AWG28-9/F/300](#) [ADIP16-G-LC-R](#) [AK-330105-300-S](#) [AK-340406-001-W](#) [A-MCSSP60020/B-R](#) [A-MO-8/8-F50-R](#) [AWG28-](#)  
[9/G/300](#) [V25HK](#) [A-LED8-1WAAS-MR7-1](#) [AWP2 16-7240](#)