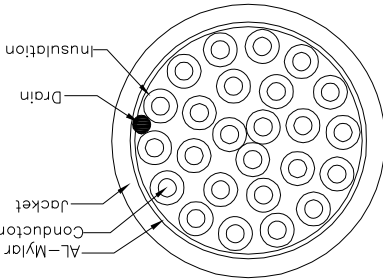
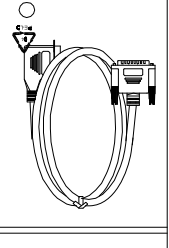
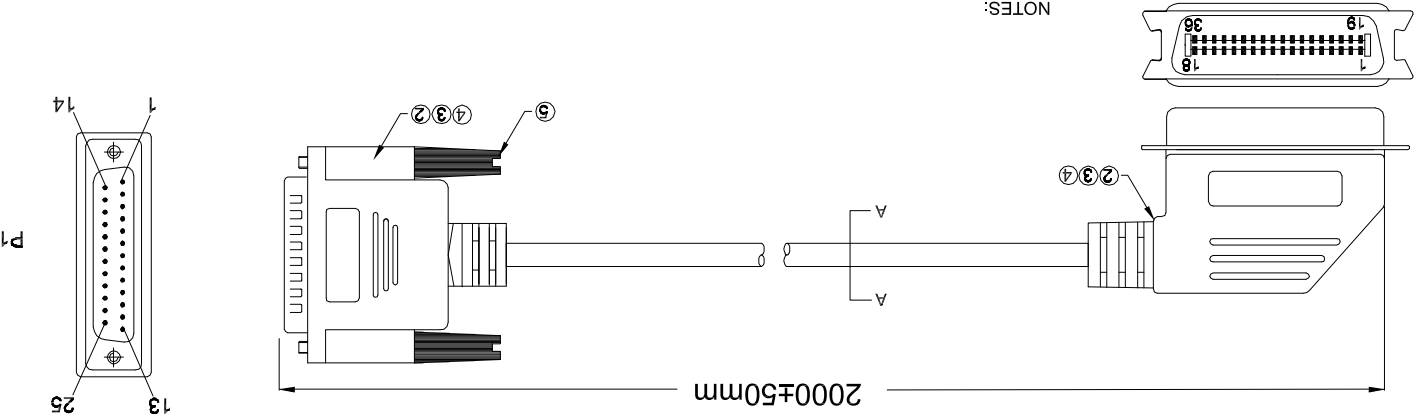
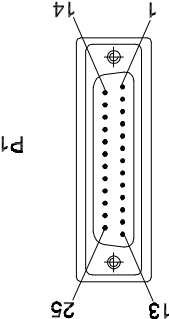
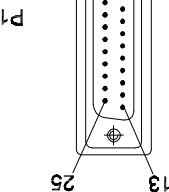
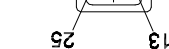


RoHS compliant
Unit: mm

PIN ASSIGNMENT	P1	P2
1	1	1
2	2	2
3	3	3
4	4	4
5	5	5
6	6	6
7	7	7
8	8	8
9	9	9
10	10	10
11	11	11
12	12	12
13	13	13
14	14	14
15	32	32
16	31	31
17	36	36
18	33	33
19	19	19
20	20	20
21	23	23
22	25	25
23	27	27
24	29	29
25	30	30
26	25	25
SHIELD	D	SHIELD

		1		2		3		4		5		6		7		
H	H	Scale	FREE	TOLERANCE	±X	±X.X	±X.XX	DIM	TOL	±2°	Angle	TOL	Id.	Modification	Date	Name
		Scale	FREE	TOLERANCE	±X	±X.X	±X.XX	DIM	TOL	±2°	Angle	TOL	Id.	Modification	Date	Name
G	G	Customer-No.	ASSMANN WSW-No.													
		Drawing-No.	ASS 4982 CA													
F	F	<p>NOTES:</p> <p>1. cable: 28AWG*25C+D+AL/My, JACKET COLOR: BEIGE</p> <p>2. CONNECTOR:</p> <p>P1: DB 25P/M, SOLDER, BLUE INSULATION, GOLD FLASH PLATED CONTACTS, NICKEL PLATED SHELL</p> <p>P2: CN 36P/M, SOLDER, BLUE INSULATION, GOLD FLASH PLATED CONTACTS, NICKEL PLATED SHELL</p> <p>3. HOOD: MOLDED TYPE, PVC 45P, COLOR: BEIGE</p> <p>4. INSIDE MOLDING: TRANSPARENT PE</p> <p>5. THUMB SCREW: #4-40 UNC, MOLDED TYPE, PVC 45P, COLOR: BEIGE</p> <p>6. ELECTRICAL TEST:</p> <p>(1) 100% OPEN SHORT & MIS WIRE TEST</p> <p>(2) CONTACT RESISTANCE 3 OHM MAX.</p> <p>(3) INSULATION RESISTANCE 10M OHM MIN.</p> <p>(4) HI-POT TEST: DC 300V/10MS</p>														
		E	E	<p>Cross section:</p>  												
D	D															
		C	C													
B	B															
		A	A													
				1		2		3		4		5		6		7

X-ON Electronics

Largest Supplier of Electrical and Electronic Components

Click to view similar products for [assmann](#) manufacturer:

Other Similar products are found below :

[AU-Y1007-R](#) [A-DF15-HOOD-WP](#) [A-USB-1](#) [AK-320200-100-S](#) [AK-330109-020-S](#) [AK-330114-050-S](#) [AK-340603-000-S](#) [AK500-RA-6-0.5-R](#) [AK669/2-18-BLACK-R](#) [AT-K-26-10-B/1000](#) [AU-Y1008-2-R](#) [AWG28-50/G/300](#) [AWH26G-0232](#) [AB-900](#) [AB-970](#) [AB-984](#) [A-DS 15PP](#) [AK-320108-030-S](#) [AK-320200-030-S](#) [AK-330107-010-S](#) [AK-330107-020-S](#) [AK-330505-000-S](#) [AK3730X-R](#) [AK579/F-2](#) [A-MCU60010/Y](#) [A-PC2302-030028-1](#) [AT-S-26-8/8/W-7/R](#) [AWH-24G-E202-IDC](#) [DK-2631-05](#) [DN-91624U](#) [DN-91548U](#) [DK-1511-015/WH](#) [A-MCU60030/R](#) [AWH50G-0202-T-R](#) [AK500/16-OE-7-0.5](#) [AK500/14-OE-5-2](#) [DK-1611-020/B](#) [DK-1511-100/G](#) [AK-320100-020-S](#) [AK-320400-002-S](#) [AT-K-26-6-B/500](#) [AK-400102-008-R](#) [AT-K-26-6-W/100](#) [AWP 10-7540-T](#) [AK-330118-100-S](#) [AK-330118-300-S](#) [AK-340102-010-W](#) [AK500/U-1-R](#) [AK-SATA-030DL-R](#) [AWG28-16/G/300](#)