

Unit: mm
RoHS compliant

Scale	Free
TOLERANCE	
DIM	TOL
Angle	TOL

Id.	①	Delete the wire color for pin assignment	04.09.2017	Fred
Id.	②	Drawn	20.02.2017	Amy
Modification				
Date				
Name				

ASSMANN WSW components

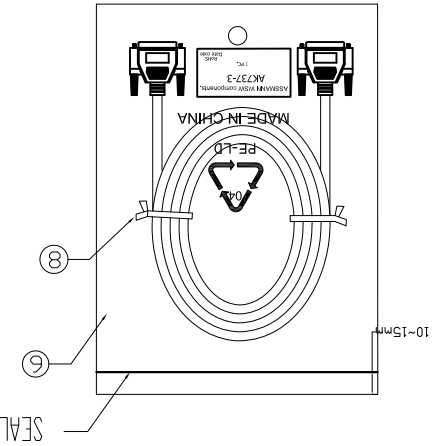
ASSMANN WSW-No. AK737-3
AK738-5

Customer-No. Amy
Date 20.02.2017
Drawn Amy
Approved Amy
Date 20.02.2017

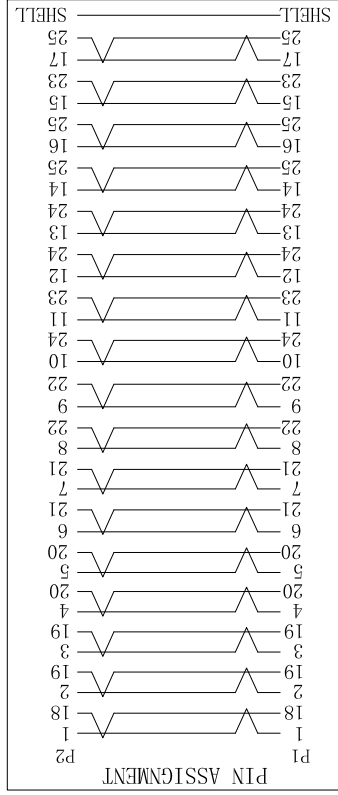
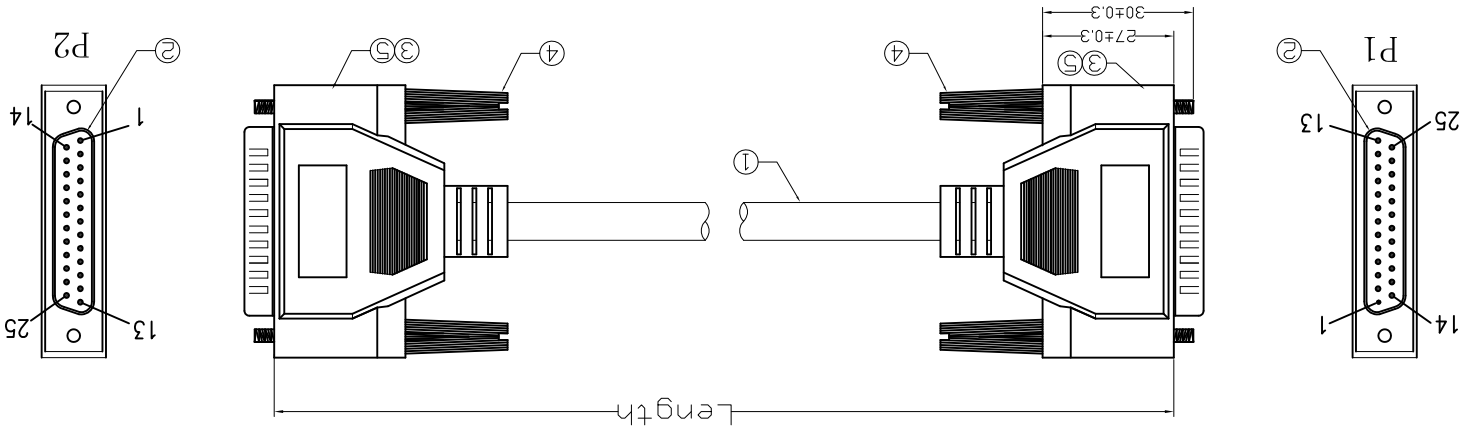
Replace	Replace
Drawing-No. ASS 7888 CA	rev01
Sheet	

NO.	NAME	Q'TY	SPECIFICATION
①	CABLE	1	JACKET:BEIGE(V-29) L=3000±15mm.
②	CONN	2	UL20276 28AWG(7/0.12TC)*18P+D(26AWGTc)+AL/MY+BRAID(85%) 007.5mm
③	OUT JACKET	60g	BEIGE(V-29) 40P PVC(Mould NO.MM-071)
④	IN JACKET	18g	CLEAR LD-PE (Mould NO.MM-33)
⑤	SCREW	4	#4-40UNC TYPE D-E L=30mm,NICKEL PLATED,MOLD:BEIGE(V-29) ABS
⑥	TUBE	2	HEAT SHRINK TUBE BLACK OD1.5*20MM
⑦	PE BAG	1/5	CLEAR PRINT BLACK"MADE IN CHINA"+"10KCS".
⑧	TIE	2	WHITE

W/SW P/N	Length	⑥ PE BAG	⑦ PE BAG
AK737-3	210*250*0.05mm	360*380*0.05mm	
AK738-5	5000*50	210*280*0.05mm	360*380*0.05mm



Electrical test:
 1.100% short,open,miss wire test
 2.Conduct resistance:5 Ohm(max)
 3.Insulation resistance:5Mohm(min)
 4.dielectric test:DC 300V



H	H	G	F	E	D	C	B	A
7	6	5	4	3	2	1		

X-ON Electronics

Largest Supplier of Electrical and Electronic Components

Click to view similar products for [assmann](#) manufacturer:

Other Similar products are found below :

[AU-Y1007-R](#) [A-DF15-HOOD-WP](#) [A-USB-1](#) [AK-320200-100-S](#) [AK-330109-020-S](#) [AK-340603-000-S](#) [AK500-RA-6-0.5-R](#) [AK669/2-18-BLACK-R](#) [AT-K-26-10-B/1000](#) [AU-Y1008-2-R](#) [AWG28-50/G/300](#) [AWH26G-0232](#) [AB-900](#) [AB-970](#) [AB-984](#) [A-DS 15PP](#) [AK-330107-010-S](#) [AK-330505-000-S](#) [AK3730X-R](#) [AK579/F-2](#) [A-MCU60010/Y](#) [A-PC2302-030028-1](#) [AT-S-26-8/8/W-7/R](#) [AWH-24G-E202-IDC](#) [DK-2631-05](#) [DN-91624U](#) [DN-91548U](#) [DK-1511-015/WH](#) [A-MCU60030/R](#) [AWH50G-0202-T-R](#) [AK500/16-OE-7-0.5](#) [AK500/14-OE-5-2](#) [DK-1611-020/B](#) [DK-1511-100/G](#) [AK-320400-002-S](#) [AT-K-26-6-B/500](#) [AK-400102-008-R](#) [AT-K-26-6-W/100](#) [AWP 10-7540-T](#) [AK-330118-100-S](#) [AK-330118-300-S](#) [AK-340102-010-W](#) [AK500/U-1-R](#) [AK-SATA-030DL-R](#) [AWG28-16/G/300](#) [AWG28-9/F/300](#) [ADIP16-G-LC-R](#) [AK-310203-018-E](#) [AK-330105-300-S](#) [AK-340406-001-W](#)