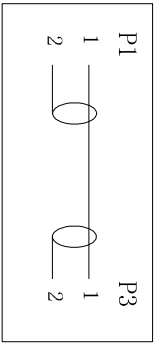
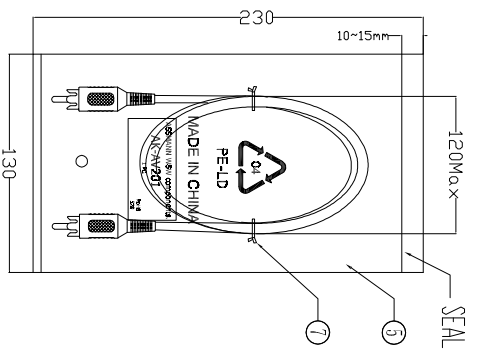


PIN ASSIGNMENT:



- Electrical test:**
1. 100% short, open, miss wire test
 2. Conduct resistance: 2 Ohm(max)
 3. Insulation resistance: 5Mohm(min)
 4. Dielectric test: DC 300V



NO.	NAME	QTY	SPECIFICATION
①	CABLE	1	T.C (100.12+280.12)*1C OD3.0MM JACKET PVC COLOR BLACK
②	CONN	2	RCA PLUG MALE BLOSSOM TYPE NPLATED INSULATOR COLOR:BROWN
③	IN JACKET	1.6g	PVC-40P RED(RE-35)/(Mould NO. WM-009)
④	TUBE	2	HEAT SHRINK TUBE BLACK OD1.5*10MM
⑤	PE BAG	1	CLEAR PRINT BLACK/MADE IN CHINA *1PC"
⑥	PE BAG	1/10	CLEAR PRINT BLACK*"MADE IN CHINA*"10PCS"
⑦	TIE	2	BLACK L=80mm

RoHS compliant
Unit: mm

Scale	Free	Customer-No.
TOLERANCE		
		ASSMANN WSW-No.
		AK-AV201
DIM	TOL	Drawing-No.
		ASS 8221 CA
		rev00
Angle	TOL	Replace
		Sheet
Id.	① Drawn	
Modification		
Date	15.03.2017	
Name	Tom	



1	2	3	4	5	6	7
A	B	C	D	E	F	G

X-ON Electronics

Largest Supplier of Electrical and Electronic Components

Click to view similar products for [assmann manufacturer](#):

Other Similar products are found below :

[AU-Y1007-R](#) [A-DF15-HOOD-WP](#) [A-USB-1](#) [AK-320200-100-S](#) [AK-330109-020-S](#) [AK-330114-050-S](#) [AK-340603-000-S](#) [AK500-RA-6-0.5-R](#) [AK669/2-18-BLACK-R](#) [AT-K-26-10-B/1000](#) [AU-Y1008-2-R](#) [AWG28-50/G/300](#) [AWH26G-0232](#) [AB-900](#) [AB-970](#) [AB-984](#) [A-DS 15PP](#) [AK-320108-030-S](#) [AK-320200-030-S](#) [AK-330107-010-S](#) [AK-330107-020-S](#) [AK-330505-000-S](#) [AK3730X-R](#) [AK579/F-2](#) [A-MCU60010/Y](#) [A-PC2302-030028-1](#) [AT-S-26-8/8/W-7/R](#) [AWH-24G-E202-IDC](#) [DK-2631-05](#) [DN-91624U](#) [DN-91548U](#) [DK-1511-015/WH](#) [A-MCU60030/R](#) [AWH50G-0202-T-R](#) [AK500/16-OE-7-0.5](#) [AK500/14-OE-5-2](#) [DK-1611-020/B](#) [DK-1511-100/G](#) [AK-320100-020-S](#) [AK-320400-002-S](#) [AT-K-26-6-B/500](#) [AK-400102-008-R](#) [AT-K-26-6-W/100](#) [AWP 10-7540-T](#) [AK-330118-100-S](#) [AK-330118-300-S](#) [AK-340102-010-W](#) [AK500/U-1-R](#) [AK-SATA-030DL-R](#) [AWG28-16/G/300](#)