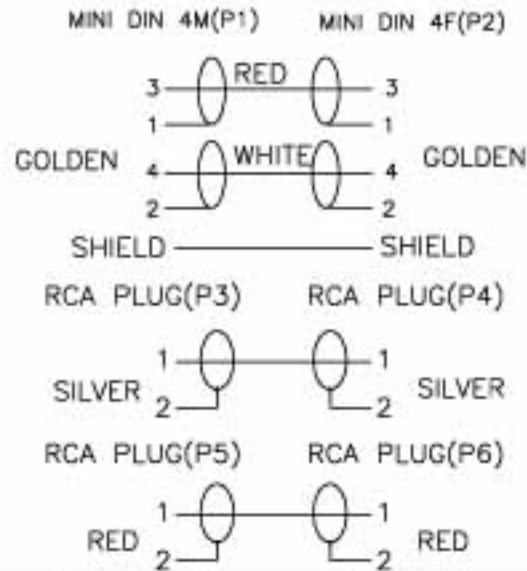
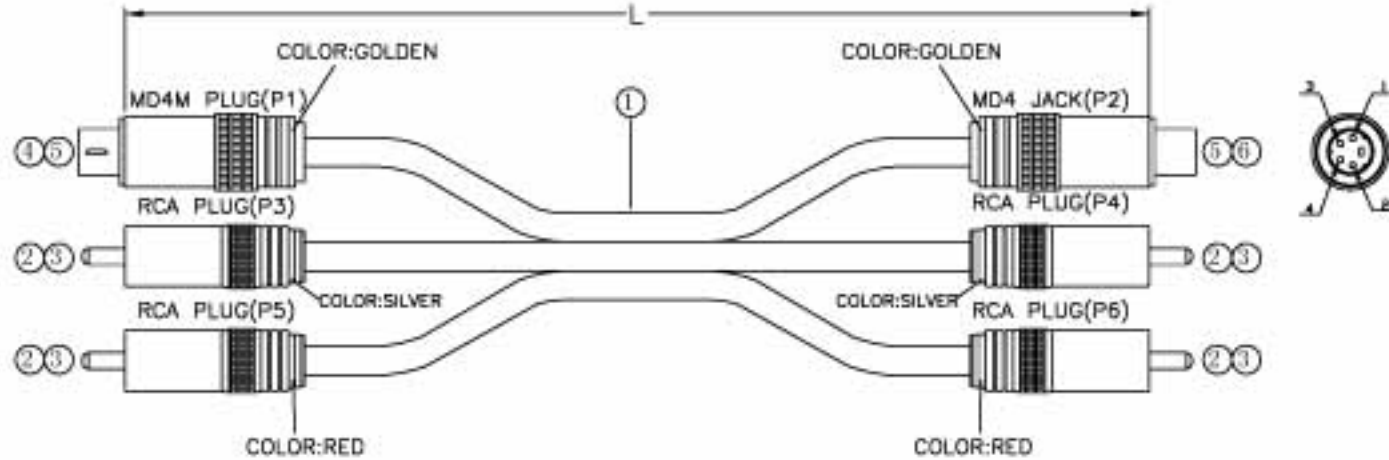


REVISION	DESCRIPTION	DATE
V0	NEW	2002.09.10



ITEM NO.	L
AK-AV510	1500±50
AK-AV511	5000±50

NO.	DESCRIPTION	QTY
①	CONNECTOR: MINI DIN4F GOLD PLATED #6.5MM SHIELD RING COLOR:GOLDEN	1PC
②	H.S TUBE: BLACK #1.5*8MM(4PCS) #3.0*8MM(4PCS) AND #9.0*15MM(2PCS)	10PCS
③	CONNECTOR: MINI DIN4M GOLD PLATED #6.5MM SHIELD RING COLOR:GOLDEN	1PC
④	HEAT SHRINK: BLACK #5.0*8MM	4PCS
⑤	CONNECTOR: RCA PLUG GOLD PLATED #6.5MM SHIELD RING COLOR SEE DRAWN	4SET
⑥	CABLE: FLAT [(B.C20/0.12+AL/MY+T.C40/D.12)*2C+AL/MY+(T.C4/16/D.12 OVER 85%)]x1F+(30/D.12+AL/MY+16/7/0.12)x2F O.D:8.0*6.0*6.0MM PVC JACKET COLOR:BLUE(CS-601)	1PCS

DATE	18 DEC,2002	PARTS NO	
UNIT	MM	DRAWN NO	N1409-1
SCALE	NO	BUYER NO	002

TITLE: 2*RCA+MD4M/2*RCA+MD4F
(ASSEMBLY TYPE)

DRAWN W.L.Q CHECK APPRO

ASSMANN Electronics

X-ON Electronics

Largest Supplier of Electrical and Electronic Components

Click to view similar products for [assmann](#) manufacturer:

Other Similar products are found below :

[AU-Y1007-R](#) [A-DF15-HOOD-WP](#) [A-USB-1](#) [AK-320200-100-S](#) [AK-330109-020-S](#) [AK-340603-000-S](#) [AK500-RA-6-0.5-R](#) [AK669/2-18-BLACK-R](#) [AT-K-26-10-B/1000](#) [AU-Y1008-2-R](#) [AWG28-50/G/300](#) [AWH26G-0232](#) [AB-900](#) [AB-970](#) [AB-984](#) [A-DS 15PP](#) [AK-330107-010-S](#) [AK-330505-000-S](#) [AK3730X-R](#) [AK579/F-2](#) [A-MCU60010/Y](#) [A-PC2302-030028-1](#) [AT-S-26-8/8/W-7/R](#) [AWH-24G-E202-IDC](#) [DK-2631-05](#) [DN-91624U](#) [DN-91548U](#) [DK-1511-015/WH](#) [A-MCU60030/R](#) [AWH50G-0202-T-R](#) [AK500/16-OE-7-0.5](#) [AK500/14-OE-5-2](#) [DK-1611-020/B](#) [DK-1511-100/G](#) [AK-320400-002-S](#) [AT-K-26-6-B/500](#) [AK-400102-008-R](#) [AT-K-26-6-W/100](#) [AWP 10-7540-T](#) [AK-330118-100-S](#) [AK-330118-300-S](#) [AK-340102-010-W](#) [AK500/U-1-R](#) [AK-SATA-030DL-R](#) [AWG28-16/G/300](#) [AWG28-9/F/300](#) [ADIP16-G-LC-R](#) [AK-310203-018-E](#) [AK-330105-300-S](#) [AK-340406-001-W](#)