

1

2

3

4

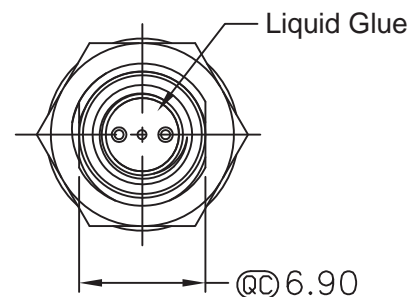
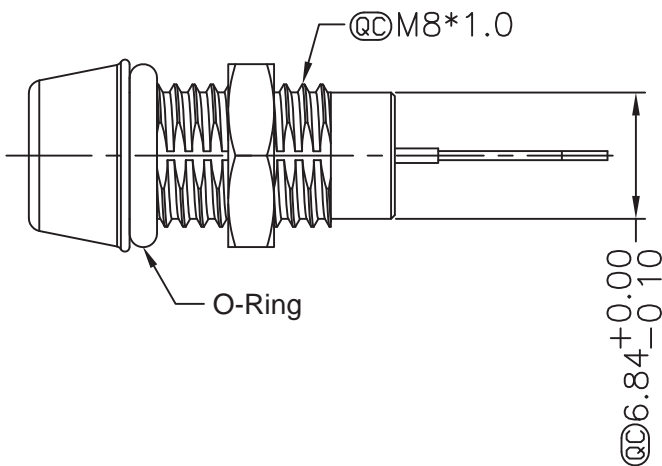
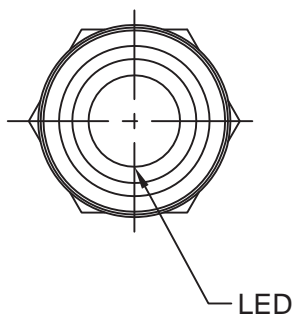
5

6

7

A

A

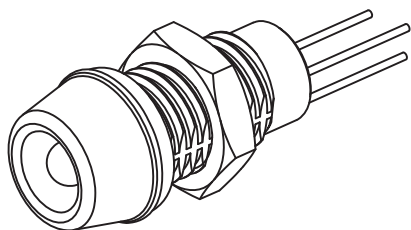


B

B

C

C



D

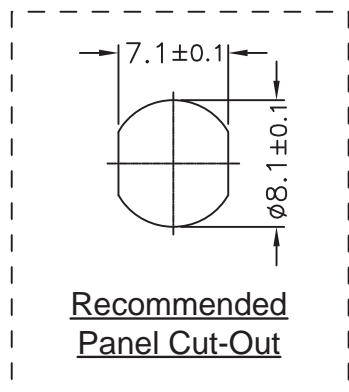
D

Material:

- Waterproof Rate: IP67
- LED Holder: Copper Alloy, Nickel plating
- LED: \varnothing 3mm, Super Bright, Red/Green Bi-color LED
- Lens Color: Water Clear
- Forward Voltage: Red Typ. 2.05V
Green Typ. 3.4V
- Forward Current: Red Typ. 35mA
Green Typ. 20mA
- Luminous Intensity: Red Typ. 1,000(Mcd)
Green Typ. 2,000(Mcd)
- Reverse Voltage: 5V DC
- Operating Temperature: $-30^{\circ}\text{C} \sim +80^{\circ}\text{C}$
- O-ring: Silicone, Gray
- Screw Nut: Copper Alloy, Nickel plating
- For Panel Thickness 6.5mm Max.

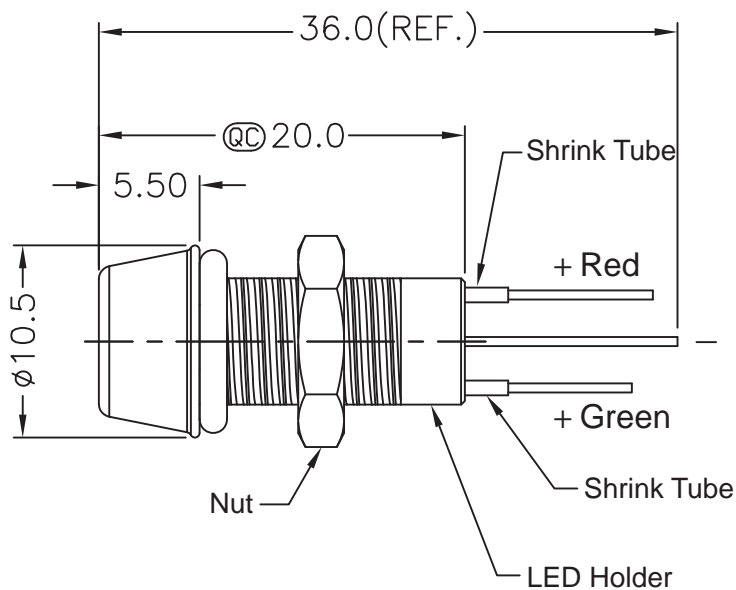
E

E



F

F



QC Quality Control: Important Dimension to check

G

G

Scale	Free					Date	Name	Title
TOLERANCE						Drawn	05.03.14	Wilson
X.	±0.3					Approved	05.03.14	Groll
X.X	±X							
X.XX	±X							
DIM	TOL							
X.°	±X°							
X.X°	±X°							
Angle	TOL	Id.	Modification	Date	Name	1840 W. Drake Drive, Suite 101 • Tempe, AZ 85283 Toll Free: 1-877-277-6266 • Email: info@assmann.us		Drawing-No. ASS 6223 CO rev00

Waterproof LED
Red/Green dual color, metal, \varnothing 3.0mm

ASSMANN WSW-No.
A-LED8-1AAAS-MR7-1

Replace
 Sheet 1/1 |

Unit: mm



H

H

1

2

3

4

5

6

7

X-ON Electronics

Largest Supplier of Electrical and Electronic Components

Click to view similar products for [assmann](#) manufacturer:

Other Similar products are found below :

[AU-Y1007-R](#) [A-DF15-HOOD-WP](#) [A-USB-1](#) [AK-320200-100-S](#) [AK-330109-020-S](#) [AK-330114-050-S](#) [AK-340603-000-S](#) [AK500-RA-6-0.5-R](#) [AK669/2-18-BLACK-R](#) [AT-K-26-10-B/1000](#) [AU-Y1008-2-R](#) [AWG28-50/G/300](#) [AWH26G-0232](#) [AB-900](#) [AB-970](#) [AB-984](#) [A-DS 15PP](#) [AK-320108-030-S](#) [AK-320200-030-S](#) [AK-330107-010-S](#) [AK-330107-020-S](#) [AK-330505-000-S](#) [AK3730X-R](#) [AK579/F-2](#) [A-MCU60010/Y](#) [A-PC2302-030028-1](#) [AT-S-26-8/8/W-7/R](#) [AWH-24G-E202-IDC](#) [DK-2631-05](#) [DN-91624U](#) [DN-91548U](#) [DK-1511-015/WH](#) [A-MCU60030/R](#) [AWH50G-0202-T-R](#) [AK500/16-OE-7-0.5](#) [AK500/14-OE-5-2](#) [DK-1611-020/B](#) [DK-1511-100/G](#) [AK-320100-020-S](#) [AK-320400-002-S](#) [AT-K-26-6-B/500](#) [AK-400102-008-R](#) [AT-K-26-6-W/100](#) [AWP 10-7540-T](#) [AK-330118-100-S](#) [AK-330118-300-S](#) [AK-340102-010-W](#) [AK500/U-1-R](#) [AK-SATA-030DL-R](#) [AWG28-16/G/300](#)