

1

2

3

4

5

6

7

A

B

C

D

E

F

G

H

A

B

C

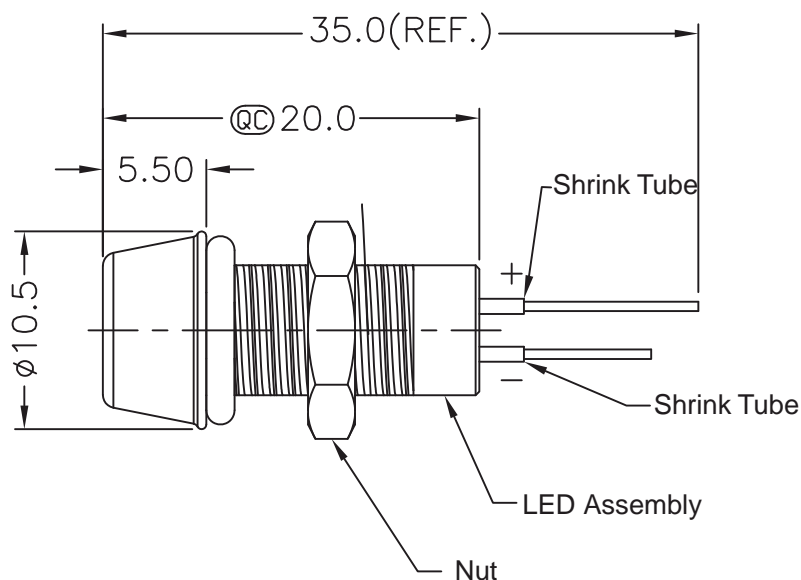
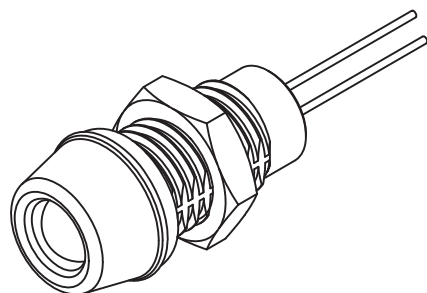
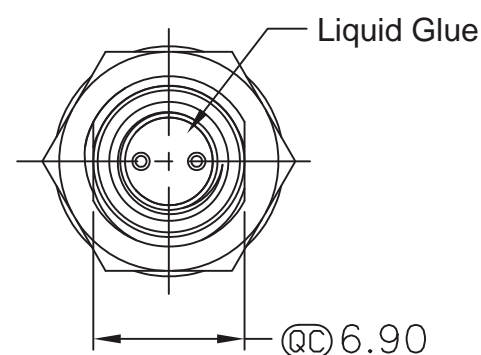
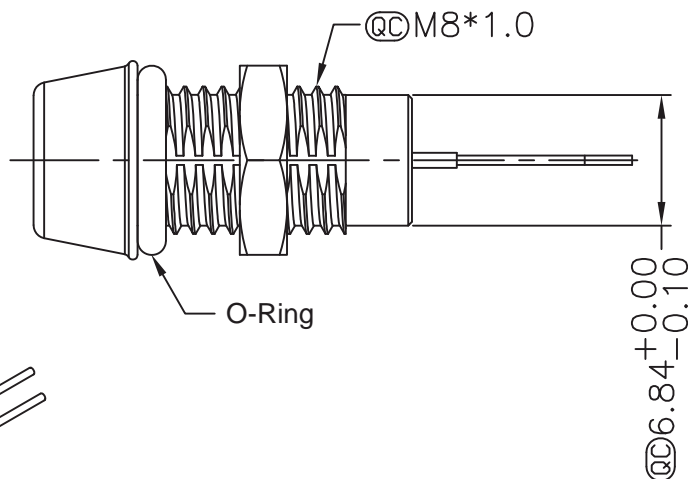
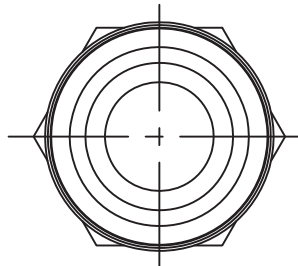
D

E

F

G

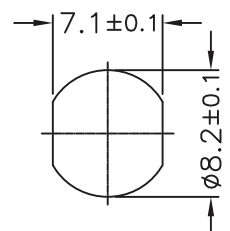
H

**Material:**

- Waterproof Rate: IP67
- LED Holder: Brass, Nickel plating
- LED: Ø5mm, Green
- Lense Color: Water Clear
- Forward Voltage: Green Typ. 3.5V
- Forward Current: Green Min.30mA
- Luminous Intensity: Green Typ.6,100(Mcd)
- Reverse Voltage: 5V DC
- Operating Temperature: -40°C~+80°C
- Gasket: EPDM, Black
- Screw Nut: Brass, Nickel plating
- For Panel Thickness 6.5MM Max.


QC Quality Control: Important Dimension to check

Recommended  
Panel Cut-Out



Unit: mm



Scale	Free					Date	Name	Title
TOLERANCE						Drawn	06.03.14	Wilson
X.	±0.3					Approved	06.03.14	Groll
X.X	±X							
X.XX	±X							
DIM	TOL							
X.°	±X°							
X.X°	±X°							
Angle	TOL	Id.	Modification	Date	Name	1840 W. Drake Drive, Suite 101 • Tempe, AZ 85283 Toll Free: 1-877-277-6266 • Email: info@assmann.us		Replace

Waterproof LED  
Green color, metal, Ø5.0mm

ASSMANN WSW-No.  
A-LED8-1GBAS-MR7-1

Drawing-No.  
ASS 6230 CO rev00

Sheet  
1/1

1

2

3

4

5

6

7

## X-ON Electronics

Largest Supplier of Electrical and Electronic Components

*Click to view similar products for [assmann manufacturer](#):*

Other Similar products are found below :

[AU-Y1007-R](#) [A-DF15-HOOD-WP](#) [A-USB-1](#) [AK-320200-100-S](#) [AK-330109-020-S](#) [AK-330114-050-S](#) [AK-340603-000-S](#) [AK500-RA-6-0.5-R](#) [AK669/2-18-BLACK-R](#) [AT-K-26-10-B/1000](#) [AU-Y1008-2-R](#) [AWG28-50/G/300](#) [AWH26G-0232](#) [AB-900](#) [AB-970](#) [AB-984](#) [A-DS 15PP](#) [AK-320108-030-S](#) [AK-320200-030-S](#) [AK-330107-010-S](#) [AK-330107-020-S](#) [AK-330505-000-S](#) [AK3730X-R](#) [AK579/F-2](#) [A-MCU60010/Y](#) [A-PC2302-030028-1](#) [AT-S-26-8/8/W-7/R](#) [AWH-24G-E202-IDC](#) [DK-2631-05](#) [DN-91624U](#) [DN-91548U](#) [DK-1511-015/WH](#) [A-MCU60030/R](#) [AWH50G-0202-T-R](#) [AK500/16-OE-7-0.5](#) [AK500/14-OE-5-2](#) [DK-1611-020/B](#) [DK-1511-100/G](#) [AK-320100-020-S](#) [AK-320400-002-S](#) [AT-K-26-6-B/500](#) [AK-400102-008-R](#) [AT-K-26-6-W/100](#) [AWP 10-7540-T](#) [AK-330118-100-S](#) [AK-330118-300-S](#) [AK-340102-010-W](#) [AK500/U-1-R](#) [AK-SATA-030DL-R](#) [AWG28-16/G/300](#)