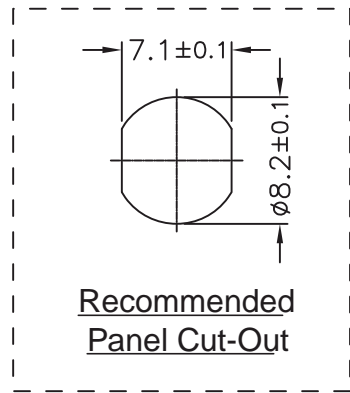


- Material:**
- Waterproof Rate: IP67
  - LED Holder: Brass, Nickel plating
  - LED: Ø5mm, Yellow
  - Lense Color: Water Clear
  - Forward Voltage: Yellow Typ. 2.0V
  - Forward Current: Yellow Typ. 30mA
  - Luminous Intensity: Yellow Typ.4,500(Mcd)
  - Reverse Voltage: 5V DC
  - Operating Temperature: -40°C~+80°C
  - Gasket: EPDM, Black
  - Screw Nut: Brass, Nickel plating
  - For Panel Thickness 6.5mm Max.

QC Quality Control: Important Dimension to check



Unit: mm



Scale	Free						Date	Name	Title Waterproof LED Yellow color, metal, Ø5.0mm
TOLERANCE						Drawn	04.03.14	Wilson	
X.	±0.3					Approved	04.03.14	Groll	ASSMANN WSW-No. A-LED8-1YBAS-MR7-1
X.X	±X								Drawing-No.
X.XX	±X								ASS 6236 CO
DIM	TOL								rev00
X.°	±X°								Replace
X.X°	±X°								Sheet
Angle	TOL	Id.	Modification	Date	Name				1/1



1840 W. Drake Drive, Suite 101 • Tempe, AZ 85283  
Toll Free: 1-877-277-6266 • Email: info@assmann.us

## X-ON Electronics

Largest Supplier of Electrical and Electronic Components

*Click to view similar products for [assmann](#) manufacturer:*

Other Similar products are found below :

[AU-Y1007-R](#) [A-DF15-HOOD-WP](#) [A-USB-1](#) [AK-320200-100-S](#) [AK-330109-020-S](#) [AK-330114-050-S](#) [AK-340603-000-S](#) [AK500-RA-6-0.5-R](#) [AK669/2-18-BLACK-R](#) [AT-K-26-10-B/1000](#) [AU-Y1008-2-R](#) [AWG28-50/G/300](#) [AWH26G-0232](#) [AB-900](#) [AB-970](#) [AB-984](#) [A-DS 15PP](#) [AK-320108-030-S](#) [AK-320200-030-S](#) [AK-330107-010-S](#) [AK-330107-020-S](#) [AK-330505-000-S](#) [AK3730X-R](#) [AK579/F-2](#) [A-MCU60010/Y](#) [A-PC2302-030028-1](#) [AT-S-26-8/8/W-7/R](#) [AWH-24G-E202-IDC](#) [DK-2631-05](#) [DN-91624U](#) [DN-91548U](#) [DK-1511-015/WH](#) [A-MCU60030/R](#) [AWH50G-0202-T-R](#) [AK500/16-OE-7-0.5](#) [AK500/14-OE-5-2](#) [DK-1611-020/B](#) [DK-1511-100/G](#) [AK-320100-020-S](#) [AK-320400-002-S](#) [AT-K-26-6-B/500](#) [AK-400102-008-R](#) [AT-K-26-6-W/100](#) [AWP 10-7540-T](#) [AK-330118-100-S](#) [AK-330118-300-S](#) [AK-340102-010-W](#) [AK500/U-1-R](#) [AK-SATA-030DL-R](#) [AWG28-16/G/300](#)