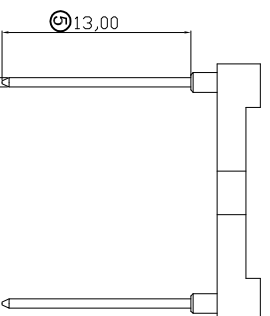
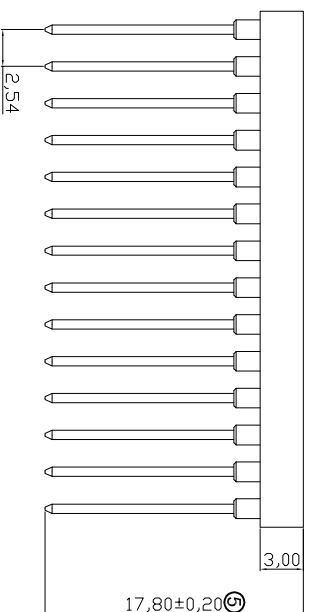
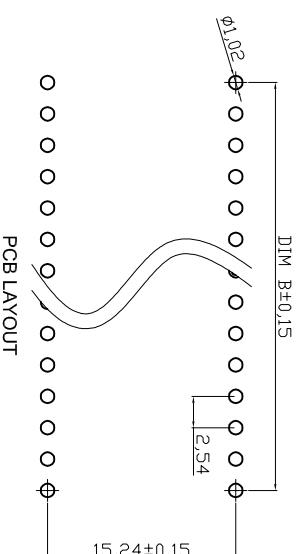


Contact	DIM A	DIM B
24	30.48	27.94
28	35.56	33.02

- NOTES:**
- MATERIAL**  
 1.Pin(outer sleeve): Brass, machined CuZn38Pb2  
 2.Clip(contact 4 finger): Beryllium copper, heat treated  
 3.Plating(outer sleeve): 2um/80u"nickel, 5um/200u"Tin  
 4.Plating(contact): 2um/80u"nickel, Gold flash  
 5.Insulator Material: Glass filled PBT, UL94V-0 Black
- ELECTRICAL**  
 1.Current Rating: 3Amps/contact max.  
 2.Contact Resistance: 4mΩ/contact max.  
 3.Insulation Resistance: ≥1000MΩ at 500VAC  
 4.Operating Voltage: 100 VRMS/150VDC
- MECHANICAL**  
 1.Average Insertion force with steel pin of  $\phi 0.43\text{mm}/0.017''$ ; <250g  
 ② 2.Average Withdrawal force with steel pin of  $\phi 0.43\text{mm}/0.017''$ ; >90g min.  
 3.Mechanical life cycle: 200 min.  
 4.Operation Temperature: -40°C to +105°C  
 5.Soldering temperature: +220°C, 10s max.



- Packing: Tube**



**RoHS compliant**

Unit: mm

Scale	Free	
<b>TOLERANCE</b>		
X.	±0.50	⑤ Update to new drawing
X.X	±0.30	④ Update the pin size
X.XX	±0.20	③ Change to round pin 0.7mm
X.XXX	±0.10	② Modify notes
DIM	TOL	① Drawn
Angle	±5°	
Angle	TOL	Id.

Date	Name	Date	Name
28.10.2016	Amy	17.12.2009	Dean
30.10.2014	Amy	23.07.2009	Dean
01.09.2011	Lucas		

Customer-No.	ASSMANN WSW-No.	AR 24-HZW/TTN	AR 28-HZW/TTN
Drawing-No.			
Replace	ASS 3579 CO	rev05	
Sheet			



1	2	3	4	5	6	7
A						A
B						B
C						C
D						D
E						E
F						F
G						G
H						H

## X-ON Electronics

Largest Supplier of Electrical and Electronic Components

*Click to view similar products for [assmann](#) manufacturer:*

Other Similar products are found below :

[AU-Y1007-R](#) [A-DF15-HOOD-WP](#) [A-USB-1](#) [AK-320200-100-S](#) [AK-330109-020-S](#) [AK-340603-000-S](#) [AK500-RA-6-0.5-R](#) [AK669/2-18-BLACK-R](#) [AT-K-26-10-B/1000](#) [AU-Y1008-2-R](#) [AWG28-50/G/300](#) [AWH26G-0232](#) [AB-900](#) [AB-970](#) [AB-984](#) [A-DS 15PP](#) [AK-330107-010-S](#) [AK-330505-000-S](#) [AK3730X-R](#) [AK579/F-2](#) [A-MCU60010/Y](#) [A-PC2302-030028-1](#) [AT-S-26-8/8/W-7/R](#) [AWH-24G-E202-IDC](#) [DK-2631-05](#) [DN-91624U](#) [DN-91548U](#) [DK-1511-015/WH](#) [A-MCU60030/R](#) [AWH50G-0202-T-R](#) [AK500/16-OE-7-0.5](#) [AK500/14-OE-5-2](#) [DK-1611-020/B](#) [DK-1511-100/G](#) [AK-320400-002-S](#) [AT-K-26-6-B/500](#) [AK-400102-008-R](#) [AT-K-26-6-W/100](#) [AWP 10-7540-T](#) [AK-330118-100-S](#) [AK-330118-300-S](#) [AK-340102-010-W](#) [AK500/U-1-R](#) [AK-SATA-030DL-R](#) [AWG28-16/G/300](#) [AWG28-9/F/300](#) [ADIP16-G-LC-R](#) [AK-310203-018-E](#) [AK-330105-300-S](#) [AK-340406-001-W](#)